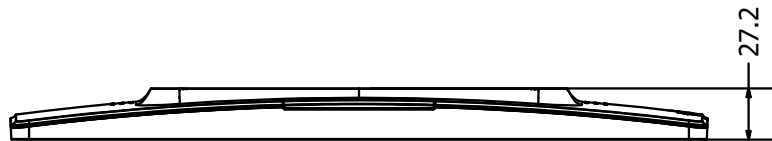
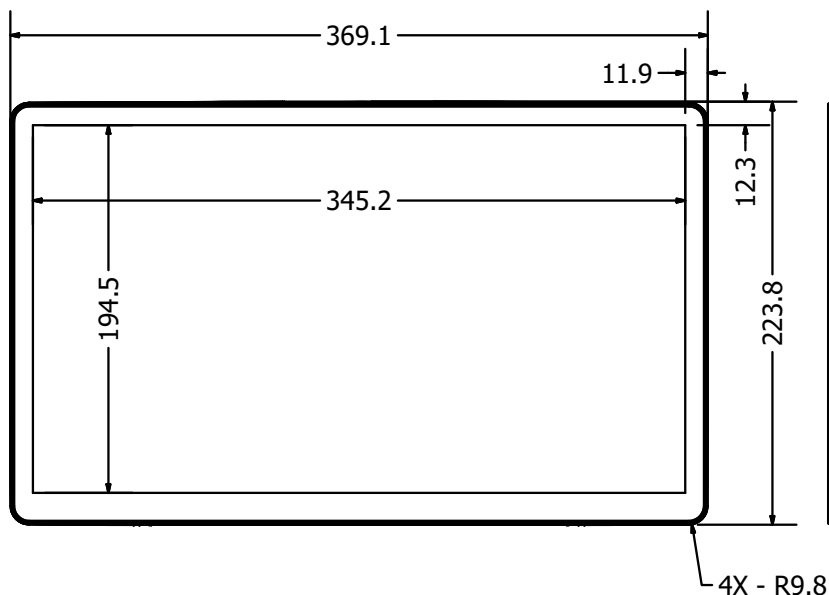


2

1

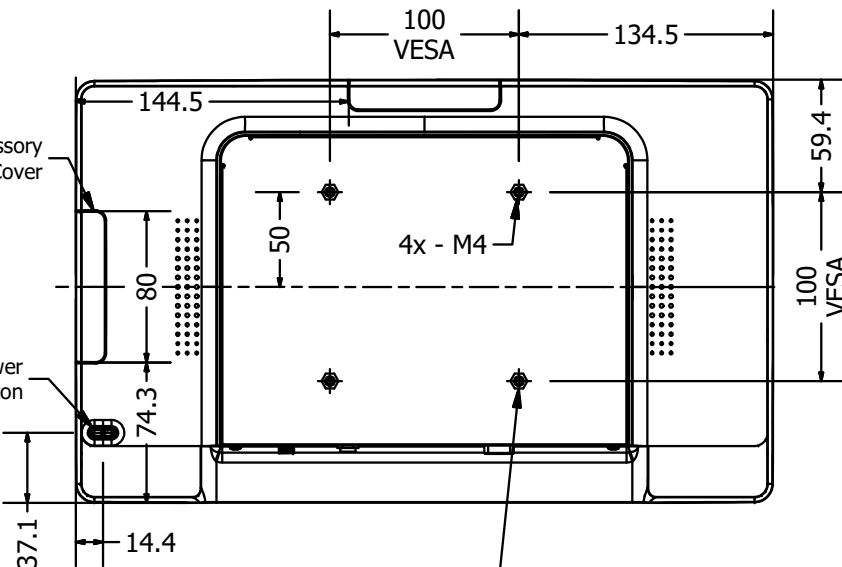


B



2X - Accessory Mount Cover

Power Button



The distance between the back cover surface and the bottom of the screw hole is 8mm. Please use correct screw so the end of the screw does not bottom out.



A

A

REV	DATE	DESCRIPTION	BY

THIS DRAWING AND OR TECHNICAL INFORMATION IS THE SOLE PROPERTY OF TES AMERICA, LLC. AND IS FURNISHED FOR AUTHORIZED USE ONLY AND ON THE UNDERSTANDING AND CONDITION THAT IT IS CONFIDENTIAL. NEITHER THIS DOCUMENT NOR THE INFORMATION DISCLOSED HEREIN SHALL BE DISCLOSED TO OTHERS, COPIED, REPRODUCED OR OTHERWISE TRANSFERRED TO OTHER DOCUMENTS, OR USED FOR MANUFACTURING OR ANY OTHER PURPOSE EXCEPT AS AUTHORIZED BY TES AMERICA, LLC.

TOLERANCING
UNLESS OTHERWISE SPECIFIED
ALL DIMS ARE mm
.X ± 0.20 RADIUS ± 0.15
.XX ± 0.10 ANGLES ± 0.5°
DO NOT SCALE DRAWING

MicroTouch HOLLAND, MI 49423 - USA

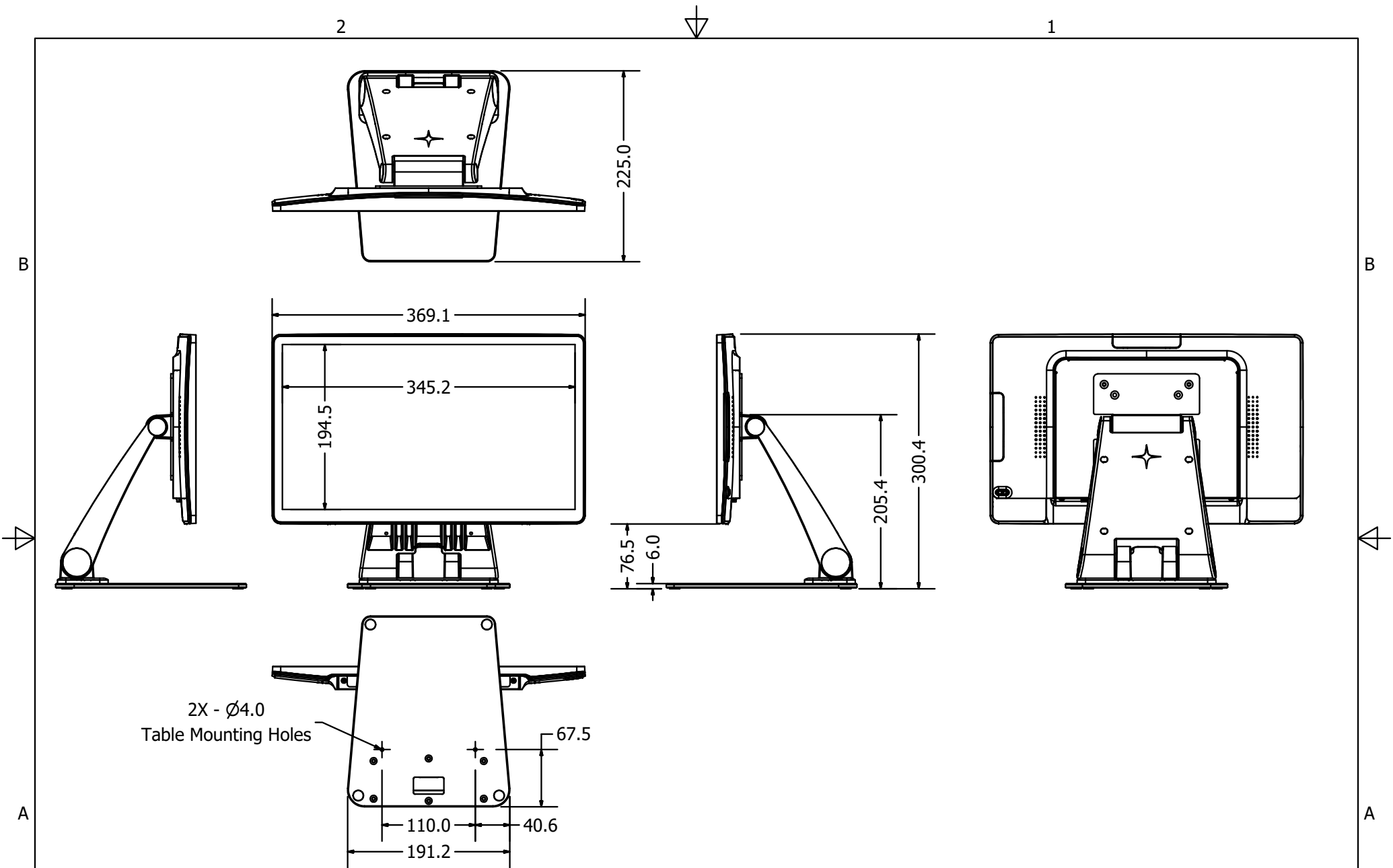
DT-156P-BX
Without Stand

DR: MPB CK: Material: SCALE: NTS
DATE: 7/1/2024 SHEET: 1 OF 3
DWG. No. VER. 01 THIRD ANGLE VIEW

2

1





REV	DATE	DESCRIPTION	BY

THIS DRAWING AND OR TECHNICAL INFORMATION IS THE SOLE PROPERTY OF TES AMERICA, LLC. AND IS FURNISHED FOR AUTHORIZED USE ONLY AND ON THE UNDERSTANDING AND CONDITION THAT IT IS CONFIDENTIAL. NEITHER THIS DOCUMENT NOR THE INFORMATION DISCLOSED HEREIN SHALL BE DISCLOSED TO OTHERS, COPIED, REPRODUCED OR OTHERWISE TRANSFERRED TO OTHER DOCUMENTS, OR USED FOR MANUFACTURING OR ANY OTHER PURPOSE EXCEPT AS AUTHORIZED BY TES AMERICA, LLC.

TOLERANCING
 UNLESS OTHERWISE SPECIFIED
 ALL DIMS ARE mm
 .X ± 0.20 RADIUS ± 0.15
 .XX ± 0.10 ANGLES ± 0.5°
 DO NOT SCALE DRAWING

MicroTouch HOLLAND, MI 49423 - USA

DT-156P-BX
 With Optional MA-STAND-A2 Stand

DR: MPB	CK:	Material:	SCALE: NTS
DATE: 7/1/2024			SHEET: 3 OF 3
DWG. No.			VER. 01

THIRD ANGLE VIEW

2

1