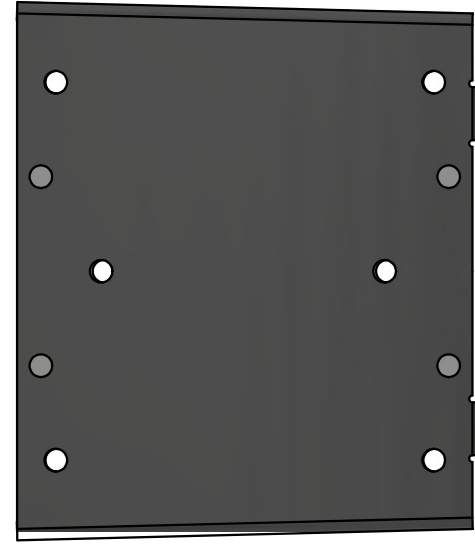
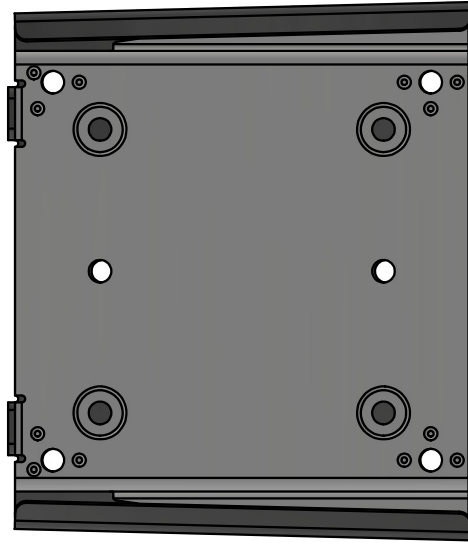
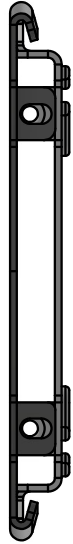


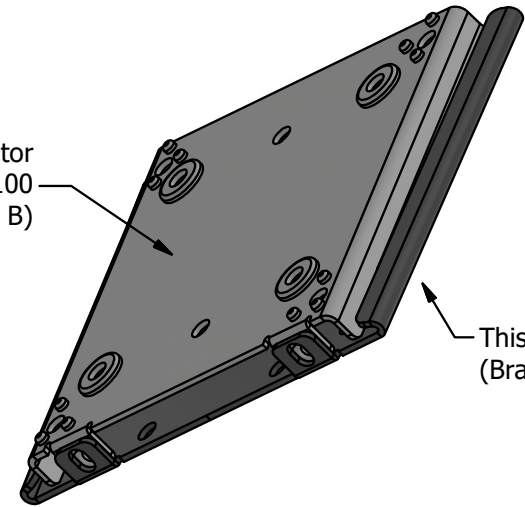
2



1



This side to Dual Monitor
Works with VESA 75 or 100
(Bracket B)



This side to stand
(Bracket T)

Kit includes:

- 1 pcs - 7221854A012A - BRACKET B
- 1 pcs - 7221855A012A - BRACKET T
- 2 pcs - 7711084A0401 - M5x6 Black Screw
- 4 pcs - 7741075A0401 - M4x8 Black Screw

REV	DATE	DESCRIPTION	BY

THIS DRAWING AND OR TECHNICAL INFORMATION IS THE SOLE PROPERTY OF TES AMERICA, LLC. AND IS FURNISHED FOR AUTHORIZED USE ONLY AND ON THE UNDERSTANDING AND CONDITION THAT IT IS CONFIDENTIAL. NEITHER THIS DOCUMENT NOR THE INFORMATION DISCLOSED HEREIN SHALL BE DISCLOSED TO OTHERS, COPIED, REPRODUCED OR OTHERWISE TRANSFERRED TO OTHER DOCUMENTS, OR USED FOR MANUFACTURING OR ANY OTHER PURPOSE EXCEPT AS AUTHORIZED BY TES AMERICA, LLC.

TOLERANCING
UNLESS OTHERWISE SPECIFIED
ALL DIMS ARE mm
.X ± 0.20 RADIUS ± 0.15
.XX ± 0.10 ANGLES ± 0.5°
DO NOT SCALE DRAWING

MicroTouch HOLLAND, MI 49423 - USA

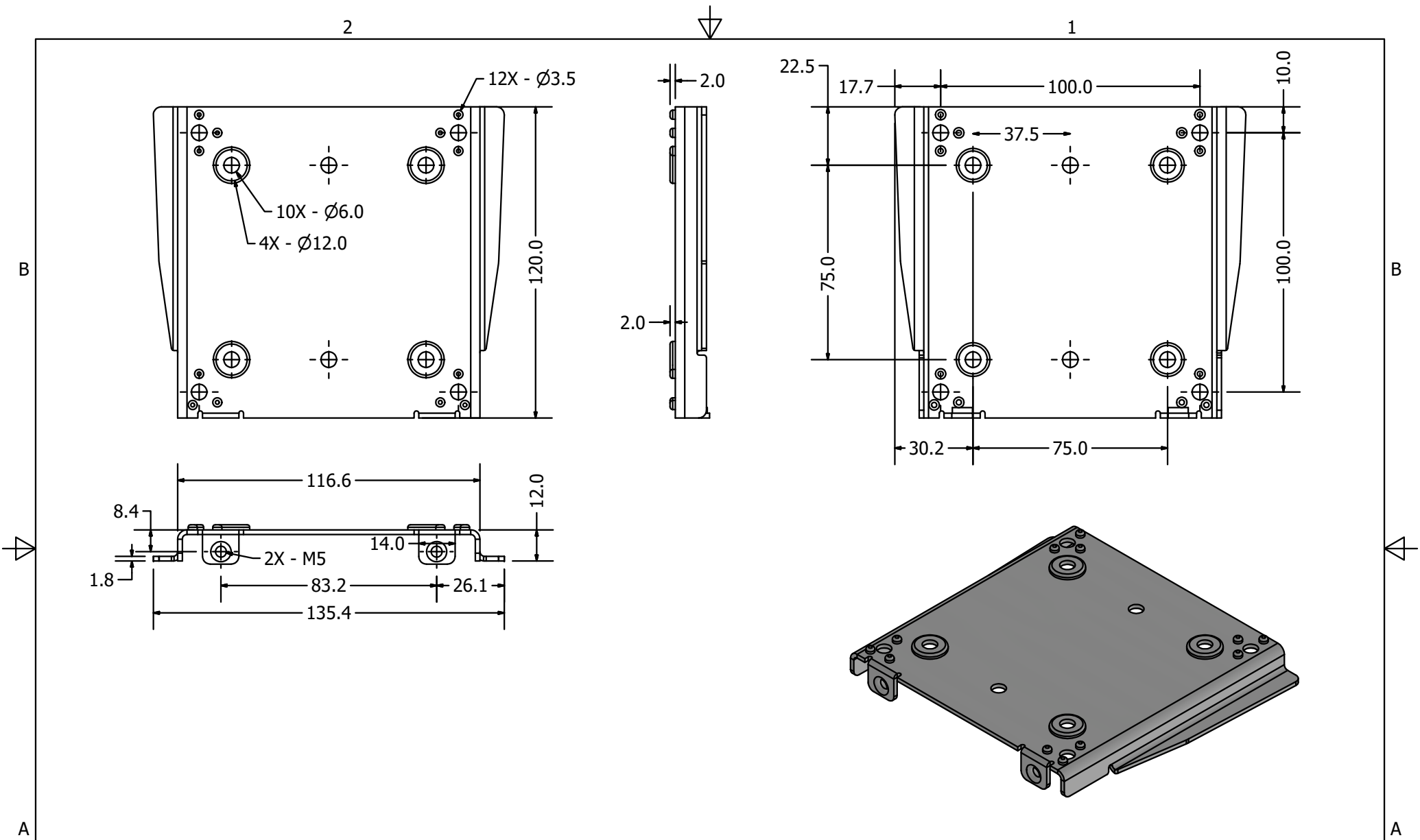
MT-BRKT-DD-A1
MACH Stand Dual Display Bracket

DR:	CK:	Material:	SCALE: NTS
DATE: 1/1/2024			SHEET: 1 OF 4
DWG. No. ACC-MBK000001BF000			VER. 01
			THIRD ANGLE VIEW

2



1



7221854A012A - BRACKET-B

REV	DATE	DESCRIPTION	BY

THIS DRAWING AND OR TECHNICAL INFORMATION IS THE SOLE PROPERTY OF TES AMERICA, LLC. AND IS FURNISHED FOR AUTHORIZED USE ONLY AND ON THE UNDERSTANDING AND CONDITION THAT IT IS CONFIDENTIAL. NEITHER THIS DOCUMENT NOR THE INFORMATION DISCLOSED HEREIN SHALL BE DISCLOSED TO OTHERS, COPIED, REPRODUCED OR OTHERWISE TRANSFERRED TO OTHER DOCUMENTS, OR USED FOR MANUFACTURING OR ANY OTHER PURPOSE EXCEPT AS AUTHORIZED BY TES AMERICA, LLC.

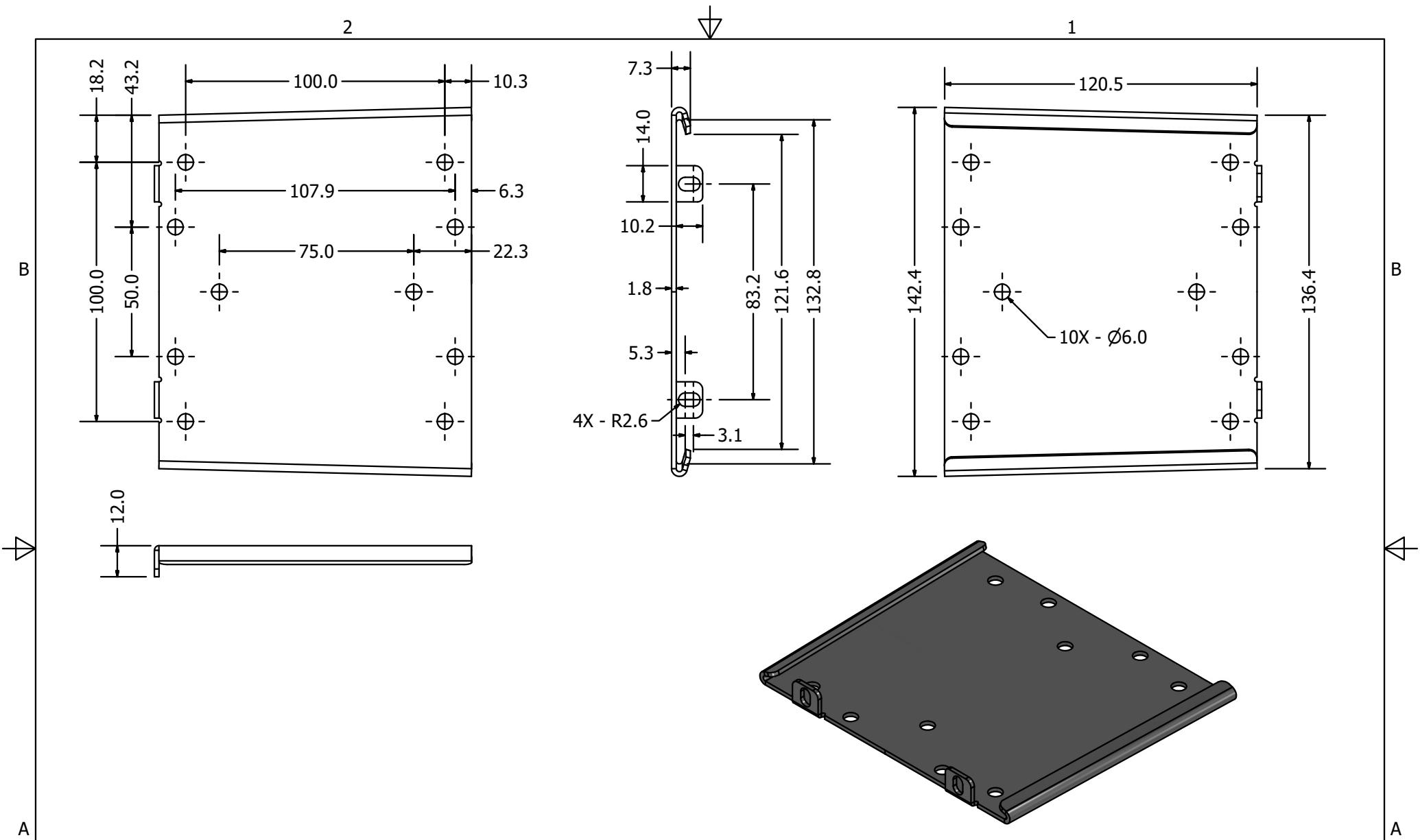
TOLERANCING
UNLESS OTHERWISE SPECIFIED
ALL DIMS ARE mm
.X ± 0.20 RADIUS ± 0.15
.XX ± 0.10 ANGLES ± 0.5°
DO NOT SCALE DRAWING

MicroTouch HOLLAND, MI 49423 - USA

MT-BRKT-DD-A1
MACH Stand Dual Display Bracket

DR:	CK:	Material:	SCALE: NTS
DATE: 1/1/2024			SHEET: 2 OF 4
DWG. No. ACC-MBK000001BF000			VER. 01

THIRD ANGLE VIEW



7221855A012A - BRACKET-T



HOLLAND, MI 49423 - USA

MT-BRKT-DD-A1
MACH Stand Dual Display Bracket

REV	DATE	DESCRIPTION	BY

THIS DRAWING AND OR TECHNICAL INFORMATION IS THE SOLE PROPERTY OF TES AMERICA, LLC. AND IS FURNISHED FOR AUTHORIZED USE ONLY AND ON THE UNDERSTANDING AND CONDITION THAT IT IS CONFIDENTIAL. NEITHER THIS DOCUMENT NOR THE INFORMATION DISCLOSED HEREIN SHALL BE DISCLOSED TO OTHERS, COPIED, REPRODUCED OR OTHERWISE TRANSFERRED TO OTHER DOCUMENTS, OR USED FOR MANUFACTURING OR ANY OTHER PURPOSE EXCEPT AS AUTHORIZED BY TES AMERICA, LLC.

TOLERANCING
UNLESS OTHERWISE SPECIFIED
ALL DIMS ARE mm
.X ± 0.20 RADIUS ± 0.15
.XX ± 0.10 ANGLES ± 0.5°
DO NOT SCALE DRAWING

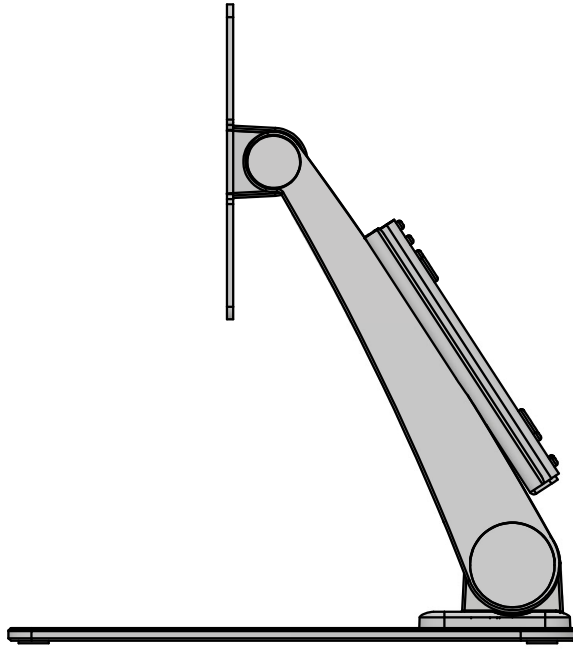
DR:	CK:	Material:	SCALE: NTS
DATE: 1/1/2024			SHEET: 3 OF 4
DWG. No. ACC-MBK000001BF000		VER. 01	THIRD ANGLE VIEW

2

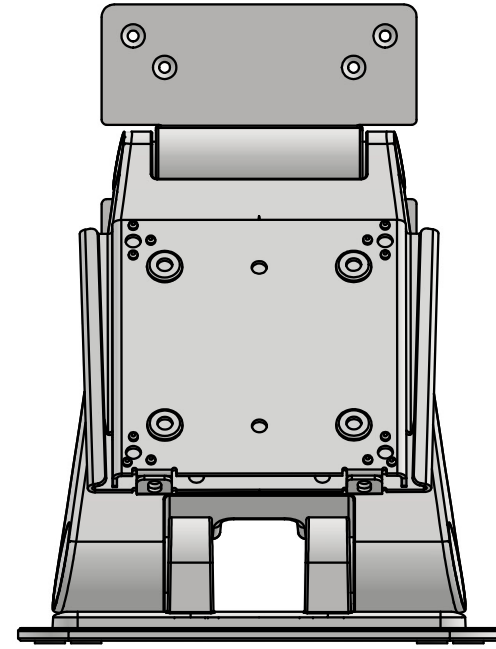


1

B



B



MACH Stand with Optional Dual Display Bracket (MT-BRKT-DD-A1)

A

A

REV	DATE	DESCRIPTION	BY

THIS DRAWING AND OR TECHNICAL INFORMATION IS THE SOLE PROPERTY OF TES AMERICA, LLC. AND IS FURNISHED FOR AUTHORIZED USE ONLY AND ON THE UNDERSTANDING AND CONDITION THAT IT IS CONFIDENTIAL. NEITHER THIS DOCUMENT NOR THE INFORMATION DISCLOSED HEREIN SHALL BE DISCLOSED TO OTHERS, COPIED, REPRODUCED OR OTHERWISE TRANSFERRED TO OTHER DOCUMENTS, OR USED FOR MANUFACTURING OR ANY OTHER PURPOSE EXCEPT AS AUTHORIZED BY TES AMERICA, LLC.

TOLERANCING
UNLESS OTHERWISE SPECIFIED
ALL DIMS ARE mm
.X ± 0.20 RADIUS ± 0.15
.XX ± 0.10 ANGLES ± 0.5°
DO NOT SCALE DRAWING

		HOLLAND, MI 49423 - USA	
MT-BRKT-DD-A1 MACH Stand Dual Display Bracket			
DR:	CK:	Material:	SCALE: NTS
DATE: 1/1/2024			SHEET: 4 OF 4
DWG. No. ACC-MBK000001BF000		VER. 01	

2



1