

The distance between the back cover surface and the bottom of the screw hole is 8mm. Please use correct screw so the end of the screw does not bottom out.

| REV | DATE | DESCRIPTION | BY |
|-----|------|-------------|----|
|     |      |             |    |
|     |      |             |    |
|     |      |             |    |
|     |      |             |    |
|     |      |             |    |
|     |      |             |    |
|     |      |             |    |
|     |      |             |    |
|     |      |             |    |

THIS DRAWING AND OR TECHNICAL INFORMATION IS THE SOLE PROPERTY OF TES AMERICA, LLC. AND IS FURNISHED FOR AUTHORIZED USE ONLY AND ON THE UNDERSTANDING AND CONDITION THAT IT IS CONFIDENTIAL. NEITHER THIS DOCUMENT NOR THE INFORMATION DISCLOSED HEREIN SHALL BE DISCLOSED TO OTHERS, COPIED, REPRODUCED OR OTHERWISE TRANSFERRED TO OTHER DOCUMENTS, OR USED FOR MANUFACTURING OR ANY OTHER PURPOSE EXCEPT AS AUTHORIZED BY TES AMERICA, LLC.

**TOLERANCING**  
UNLESS OTHERWISE SPECIFIED  
ALL DIMS ARE mm  
.X ± 0.20 RADIUS ± 0.15  
.XX ± 0.10 ANGLES ± 0.5°  
DO NOT SCALE DRAWING

**MicroTouch** HOLLAND, MI 49423 - USA

DT-215P-B2  
Without Stand

|  |     |           |               |
|--|-----|-----------|---------------|
| DR: MPB                                  | CK: | Material: | SCALE: NTS    |
| DATE: 7/6/2024                           |     |           | SHEET: 1 OF 2 |
| DWG. No. RZ29900003 (IEM-220A2001P1F002) |     |           | VER. 01       |

THIRD ANGLE VIEW

2

1

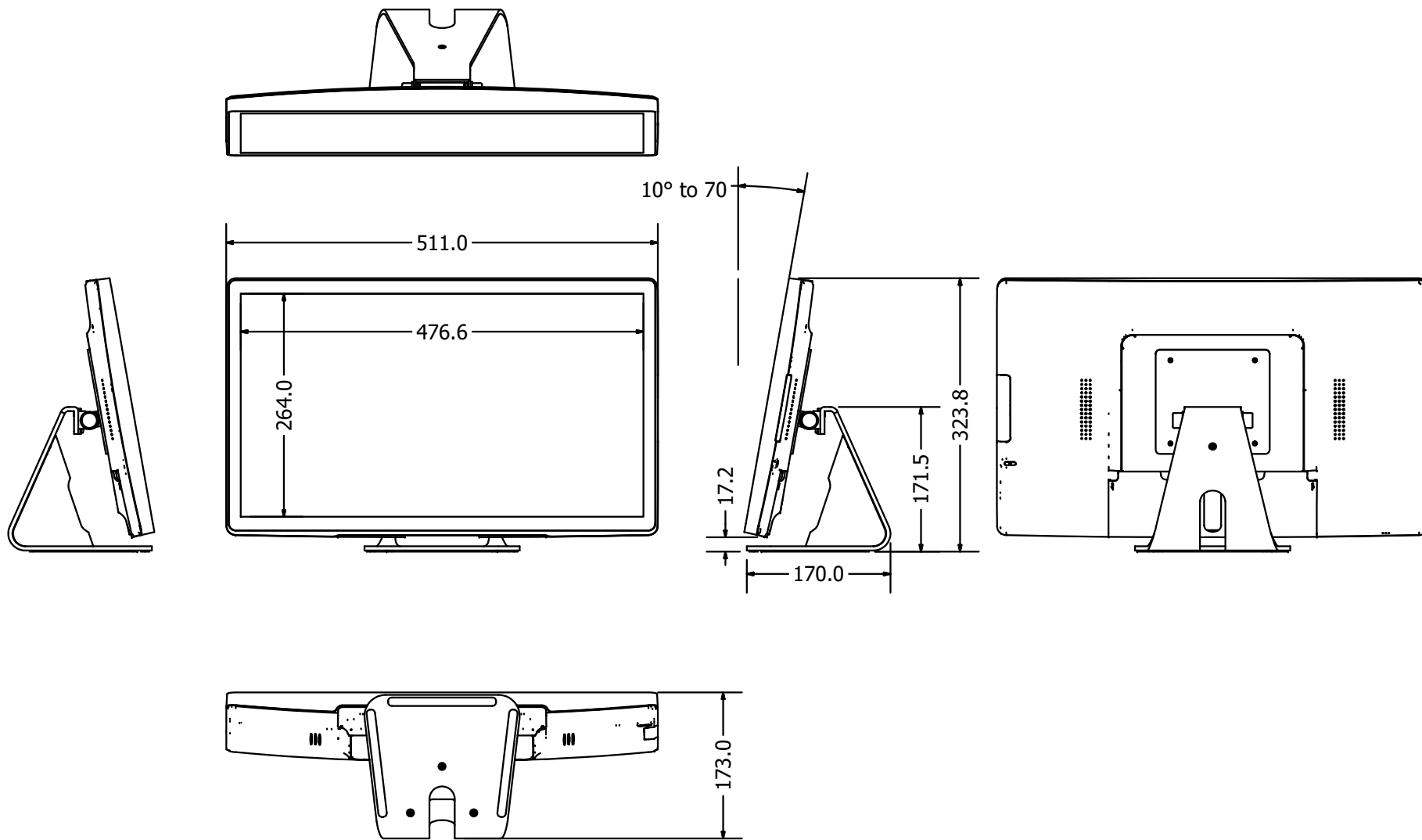
2



1

B

B



A

A

| REV | DATE | DESCRIPTION | BY |
|-----|------|-------------|----|
|     |      |             |    |
|     |      |             |    |
|     |      |             |    |
|     |      |             |    |
|     |      |             |    |
|     |      |             |    |
|     |      |             |    |

THIS DRAWING AND OR TECHNICAL INFORMATION IS THE SOLE PROPERTY OF TES AMERICA, LLC. AND IS FURNISHED FOR AUTHORIZED USE ONLY AND ON THE UNDERSTANDING AND CONDITION THAT IT IS CONFIDENTIAL. NEITHER THIS DOCUMENT NOR THE INFORMATION DISCLOSED HEREIN SHALL BE DISCLOSED TO OTHERS, COPIED, REPRODUCED OR OTHERWISE TRANSFERRED TO OTHER DOCUMENTS, OR USED FOR MANUFACTURING OR ANY OTHER PURPOSE EXCEPT AS AUTHORIZED BY TES AMERICA, LLC.

**TOLERANCING**  
UNLESS OTHERWISE SPECIFIED  
ALL DIMS ARE mm  
.X ± 0.20 RADIUS ± 0.15  
.XX ± 0.10 ANGLES ± 0.5°  
DO NOT SCALE DRAWING

**MicroTouch** HOLLAND, MI 49423 - USA

DT-215P-B2  
With Optional SS-215-A1 Stand

|  |     |           |               |
|--|-----|-----------|---------------|
| DR: MPB                                  | CK: | Material: | SCALE: NTS    |
| DATE: 7/6/2024                           |     |           | SHEET: 2 OF 2 |
| DWG. No. RZ29900003 (IEM-220A2001P1F002) |     |           | VER. 01       |

THIRD ANGLE VIEW

2



1