

| REV | DATE | DESCRIPTION | BY |
|-----|------|-------------|----|
| | | | |
| | | | |
| | | | |
| | | | |
| | | | |
| | | | |
| | | | |
| | | | |
| | | | |

THIS DRAWING AND OR TECHNICAL INFORMATION IS THE SOLE PROPERTY OF TES AMERICA, LLC. AND IS FURNISHED FOR AUTHORIZED USE ONLY AND ON THE UNDERSTANDING AND CONDITION THAT IT IS CONFIDENTIAL. NEITHER THIS DOCUMENT NOR THE INFORMATION DISCLOSED HEREIN SHALL BE DISCLOSED TO OTHERS, COPIED, REPRODUCED OR OTHERWISE TRANSFERRED TO OTHER DOCUMENTS, OR USED FOR MANUFACTURING OR ANY OTHER PURPOSE EXCEPT AS AUTHORIZED BY TES AMERICA, LLC.

TOLERANCING
UNLESS OTHERWISE SPECIFIED
ALL DIMS ARE mm
.X ± 0.20 RADIUS ± 0.15
.XX ± 0.10 ANGLES ± 0.5°
DO NOT SCALE DRAWING

MicroTouch HOLLAND, MI 49423 - USA

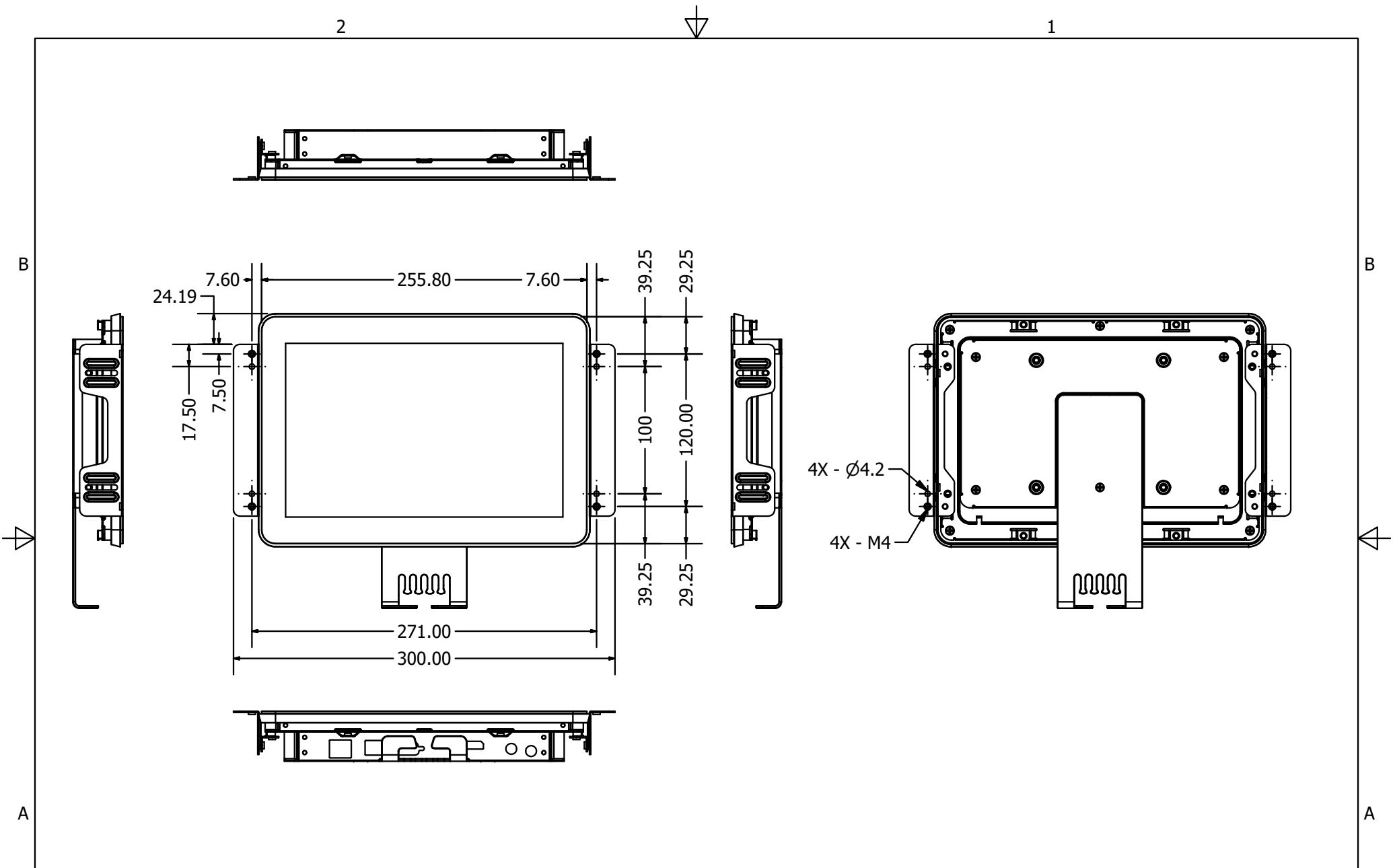
OF-100P-A2X (APM-10)
Without Mounting Brackets

DR: CK: Material: SCALE: NTS

DATE: 3/22/2021 SHEET: 1 OF 2

DWG. No. VER. 01

CS29400007 (A2), CS29400009 (A2E) THIRD ANGLE VIEW



| REV | DATE | DESCRIPTION | BY |
|-----|------|-------------|----|
| | | | |
| | | | |
| | | | |
| | | | |
| | | | |
| | | | |
| | | | |

THIS DRAWING AND OR TECHNICAL INFORMATION IS THE SOLE PROPERTY OF TES AMERICA, LLC. AND IS FURNISHED FOR AUTHORIZED USE ONLY AND ON THE UNDERSTANDING AND CONDITION THAT IT IS CONFIDENTIAL. NEITHER THIS DOCUMENT NOR THE INFORMATION DISCLOSED HEREIN SHALL BE DISCLOSED TO OTHERS, COPIED, REPRODUCED OR OTHERWISE TRANSFERRED TO OTHER DOCUMENTS, OR USED FOR MANUFACTURING OR ANY OTHER PURPOSE EXCEPT AS AUTHORIZED BY TES AMERICA, LLC.

TOLERANCING
UNLESS OTHERWISE SPECIFIED
ALL DIMS ARE mm
.X ± 0.20 RADIUS ± 0.15
.XX ± 0.10 ANGLES ± 0.5°
DO NOT SCALE DRAWING

MicroTouch HOLLAND, MI 49423 - USA

OF-100P-A2X (APM-10)
With Mounting Brackets

DR: CK: Material: SCALE: NTS

DATE: 3/22/2021 SHEET: 2 OF 2

DWG. No. VER. THIRD ANGLE VIEW

CS29400007 (A2), CS29400009 (A2E) 01

2

1

B

B

A

A

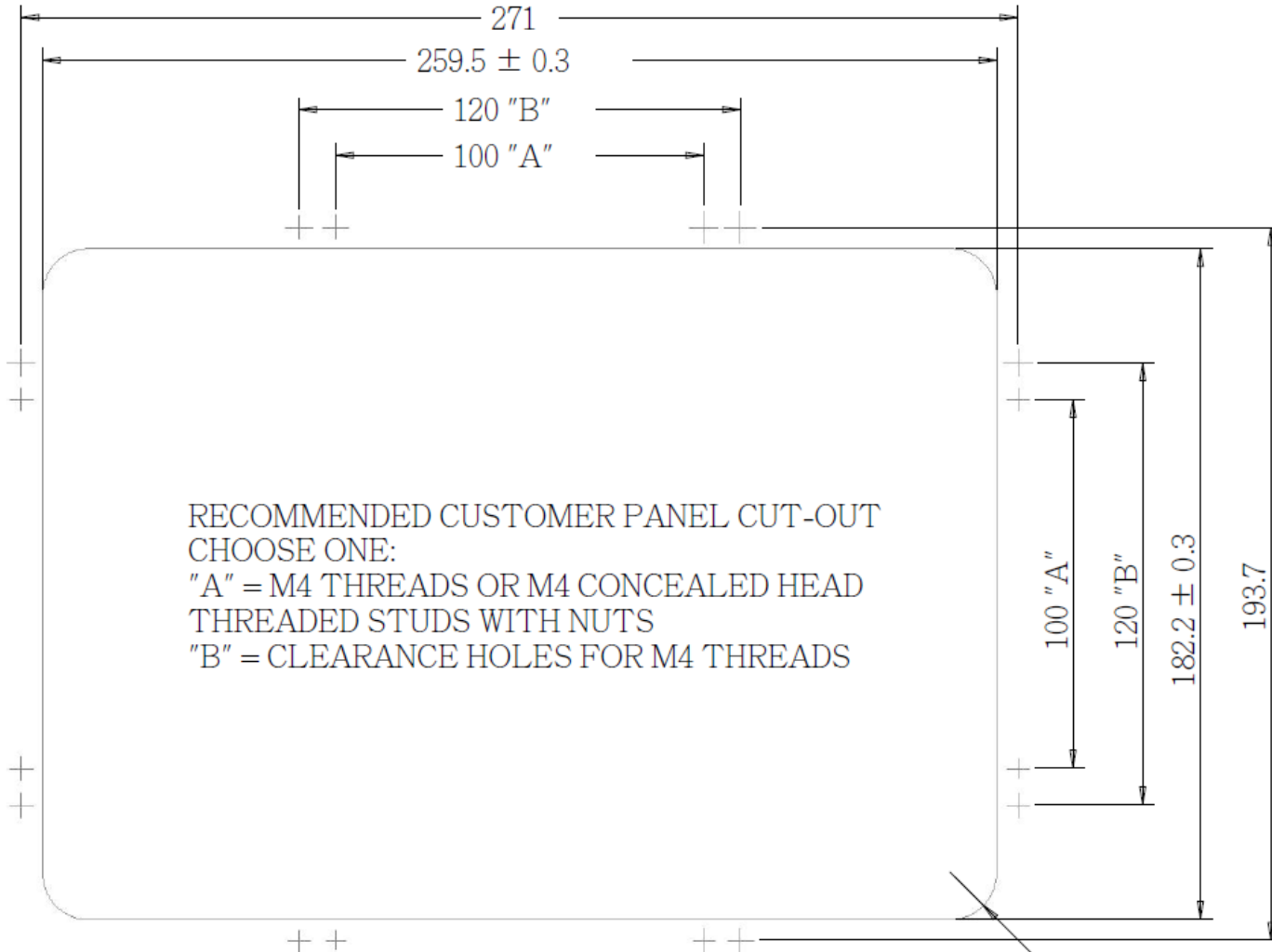
2

1

2

1

Customer Panel Spec



RECOMMENDED CUSTOMER PANEL CUT-OUT
 CHOOSE ONE:
 "A" = M4 THREADS OR M4 CONCEALED HEAD
 THREADED STUDS WITH NUTS
 "B" = CLEARANCE HOLES FOR M4 THREADS

R12.75 +/- 0.3 x 4

| REV | DATE | DESCRIPTION | BY |
|-----|------|-------------|----|
| | | | |
| | | | |
| | | | |
| | | | |
| | | | |
| | | | |
| | | | |

THIS DRAWING AND OR TECHNICAL INFORMATION IS THE SOLE PROPERTY OF TES AMERICA, LLC. AND IS FURNISHED FOR AUTHORIZED USE ONLY AND ON THE UNDERSTANDING AND CONDITION THAT IT IS CONFIDENTIAL. NEITHER THIS DOCUMENT NOR THE INFORMATION DISCLOSED HEREIN SHALL BE DISCLOSED TO OTHERS, COPIED, REPRODUCED OR OTHERWISE TRANSFERRED TO OTHER DOCUMENTS, OR USED FOR MANUFACTURING OR ANY OTHER PURPOSE EXCEPT AS AUTHORIZED BY TES AMERICA, LLC.

TOLERANCING
 UNLESS OTHERWISE SPECIFIED
 ALL DIMS ARE mm
 .X ± 0.20 RADIUS ± 0.15
 .XX ± 0.10 ANGLES ± 0.5°
 DO NOT SCALE DRAWING

MicroTouch HOLLAND, MI 49423 - USA

OF-100P-A2X (APM-10)_cabinet_opening

| | | | |
|------------------|------------------|-----------|---------------|
| DR: | CK: | Material: | SCALE: NTS |
| DATE: 05/11/2021 | DWG. No. | | SHEET: 1 OF 1 |
| VER. 01 | THIRD ANGLE VIEW | | |

2

1