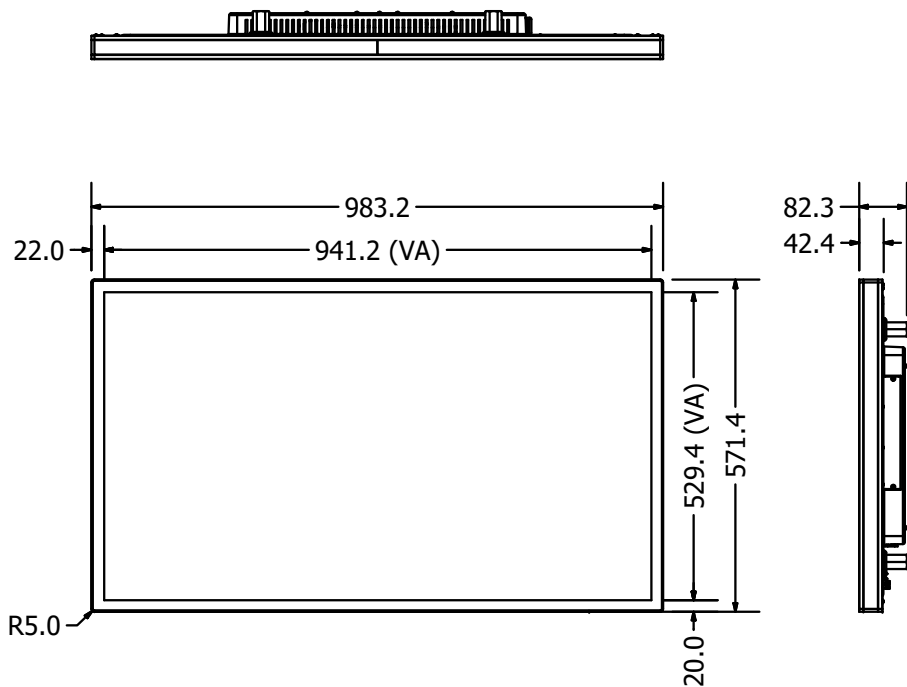


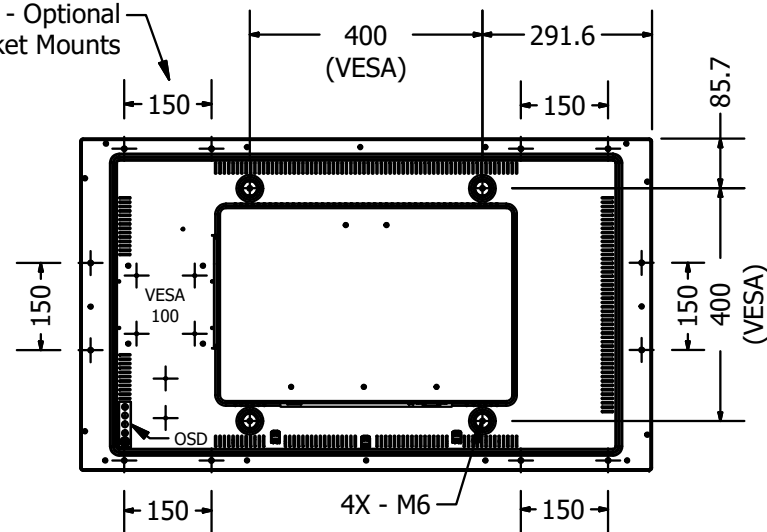
2



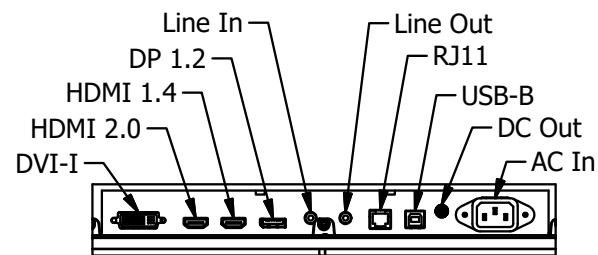
1



6X - Optional Bracket Mounts



The distance between the back cover surface and the bottom of the screw hole is 6~7mm.  
Please use M6 screw with proper length to mount your monitor.



THIS DRAWING AND OR TECHNICAL INFORMATION IS THE SOLE PROPERTY OF TES AMERICA, LLC. AND IS FURNISHED FOR AUTHORIZED USE ONLY AND ON THE UNDERSTANDING AND CONDITION THAT IT IS CONFIDENTIAL. NEITHER THIS DOCUMENT NOR THE INFORMATION DISCLOSED HEREIN SHALL BE DISCLOSED TO OTHERS, COPIED, REPRODUCED OR OTHERWISE TRANSFERRED TO OTHER DOCUMENTS, OR USED FOR MANUFACTURING OR ANY OTHER PURPOSE EXCEPT AS AUTHORIZED BY TES AMERICA, LLC.



HOLLAND, MI 49423 - USA

DS-430P-B2

**TOLERANCING**  
UNLESS OTHERWISE SPECIFIED  
ALL DIMS ARE mm  
.X ± 0.20 RADIUS ± 0.15  
.XX ± 0.10 ANGLES ± 0.5°  
DO NOT SCALE DRAWING

DR: CK: Material:  
DATE: 7/6/2024  
DWG. No.

Material:

SCALE: NTS

SHEET: 1 OF 1

VER. 01



REV	DATE	DESCRIPTION	BY

2



1