

THIS DRAWING AND OR TECHNICAL INFORMATION IS THE SOLE PROPERTY OF TES AMERICA, LLC. AND IS FURNISHED FOR AUTHORIZED USE ONLY AND ON THE UNDERSTANDING AND CONDITION THAT IT IS CONFIDENTIAL. NEITHER THIS DOCUMENT NOR THE INFORMATION DISCLOSED HEREIN SHALL BE DISCLOSED TO OTHERS, COPIED, REPRODUCED OR OTHERWISE TRANSFERRED TO OTHER DOCUMENTS, OR USED FOR MANUFACTURING OR ANY OTHER PURPOSE EXCEPT AS AUTHORIZED BY TES AMERICA, LLC.

MicroTouch HOLLAND, MI 49423 - USA

M1-156IC-WX-A2
AIO WIN Computer

DR: CK: Material: SCALE: NTS

DATE: 6/6/2023 SHEET: 1 OF 2

DWG. No. MZ4810000X VER. 01

THIRD ANGLE VIEW

TOLERANCING
UNLESS OTHERWISE SPECIFIED
ALL DIMS ARE mm

X ± 0.20 RADIUS ± 0.15
.XX ± 0.10 ANGLES ± 0.5°

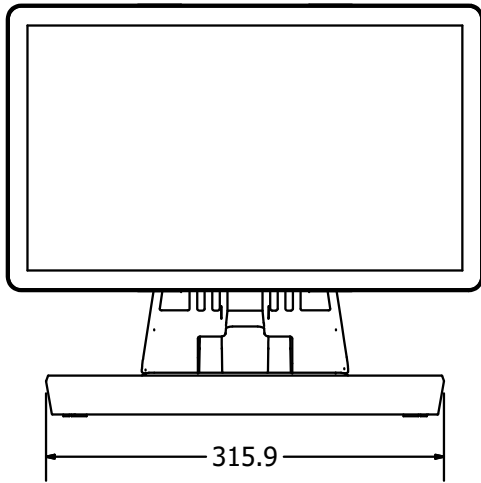
DO NOT SCALE DRAWING

REV	DATE	DESCRIPTION	BY

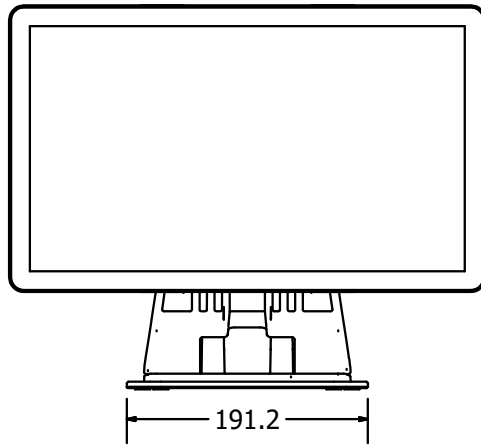
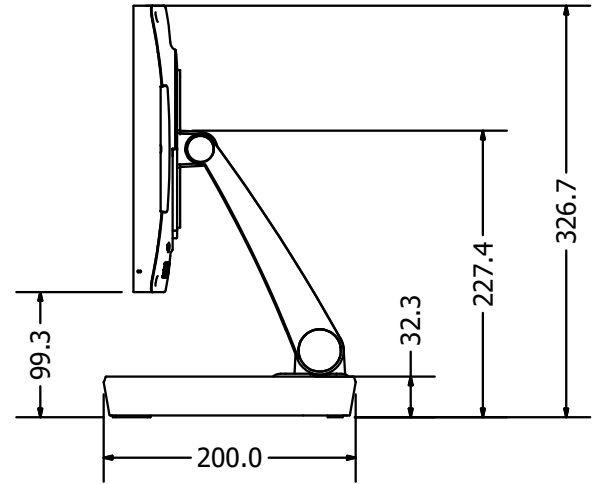
2



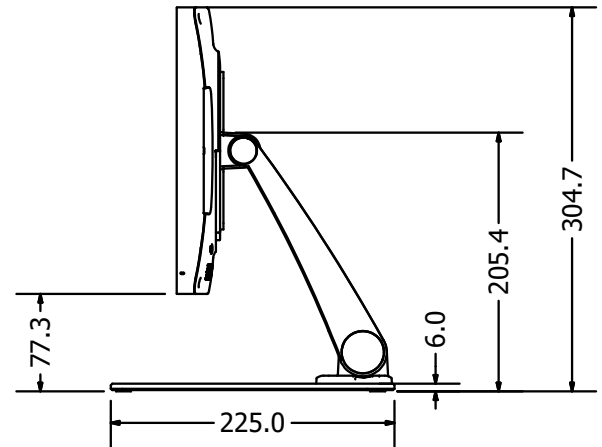
1



With Optional Hub Stand



With Optional Mach Stand



B

B


A

A

REV	DATE	DESCRIPTION	BY

THIS DRAWING AND OR TECHNICAL INFORMATION IS THE SOLE PROPERTY OF TES AMERICA, LLC. AND IS FURNISHED FOR AUTHORIZED USE ONLY AND ON THE UNDERSTANDING AND CONDITION THAT IT IS CONFIDENTIAL. NEITHER THIS DOCUMENT NOR THE INFORMATION DISCLOSED HEREIN SHALL BE DISCLOSED TO OTHERS, COPIED, REPRODUCED OR OTHERWISE TRANSFERRED TO OTHER DOCUMENTS, OR USED FOR MANUFACTURING OR ANY OTHER PURPOSE EXCEPT AS AUTHORIZED BY TES AMERICA, LLC.


TOLERANCING
UNLESS OTHERWISE SPECIFIED
ALL DIMS ARE mm
.X ± 0.20 RADIUS ± 0.15
.XX ± 0.10 ANGLES ± 0.5°
DO NOT SCALE DRAWING



HOLLAND, MI 49423 - USA

M1-156IC-WX-A2
AIO WIN Computer

DR:	CK:	Material:	SCALE: NTS
DATE: 6/6/2023			SHEET: 2 OF 2
DWG. No. MZ4810000X			VER. 01



THIRD ANGLE VIEW

2



1