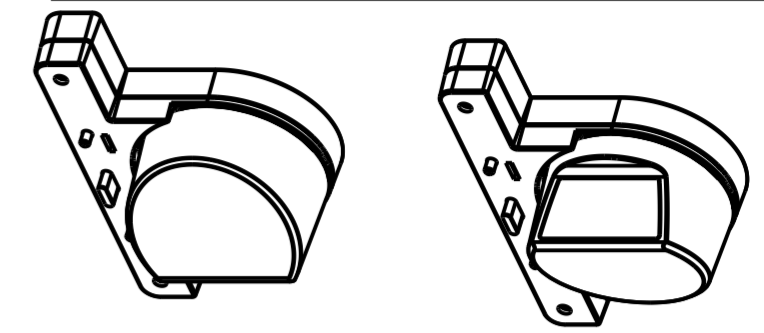
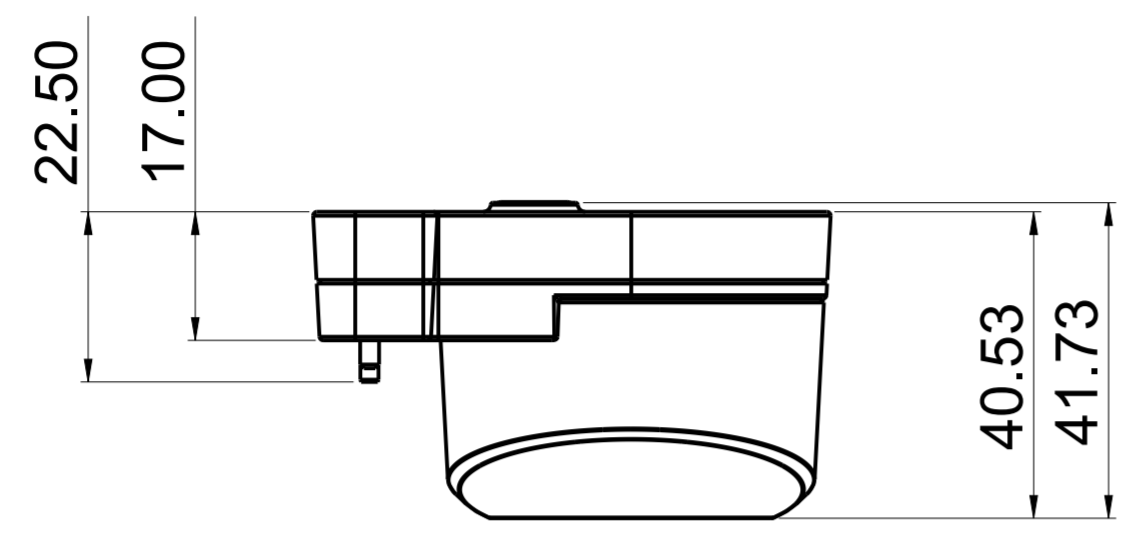


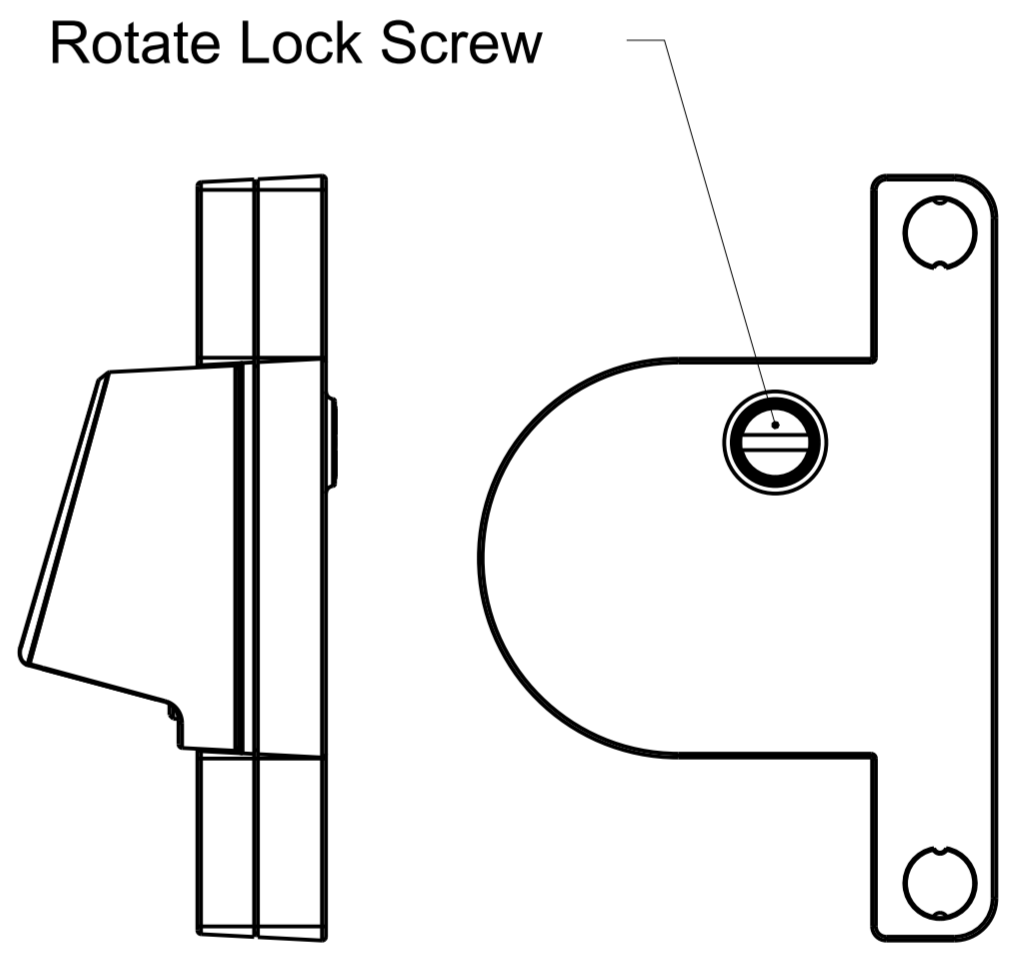
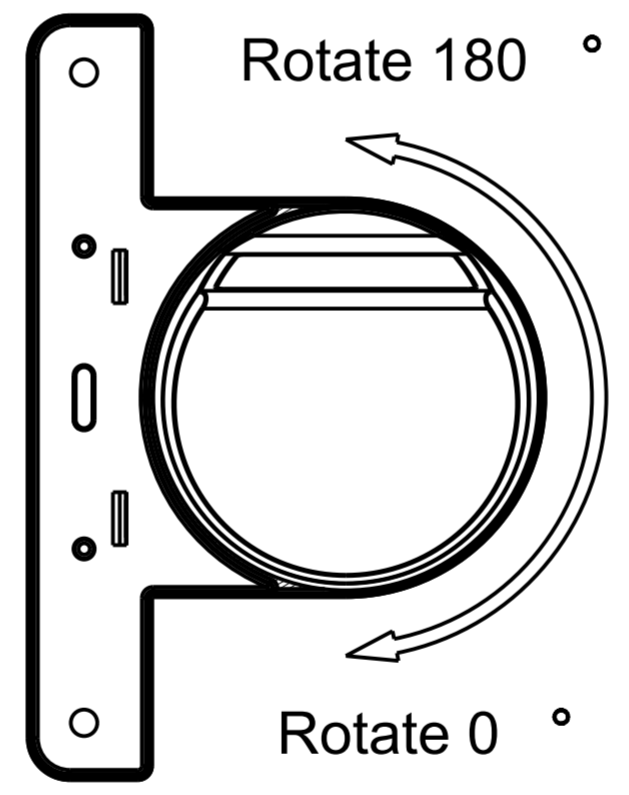
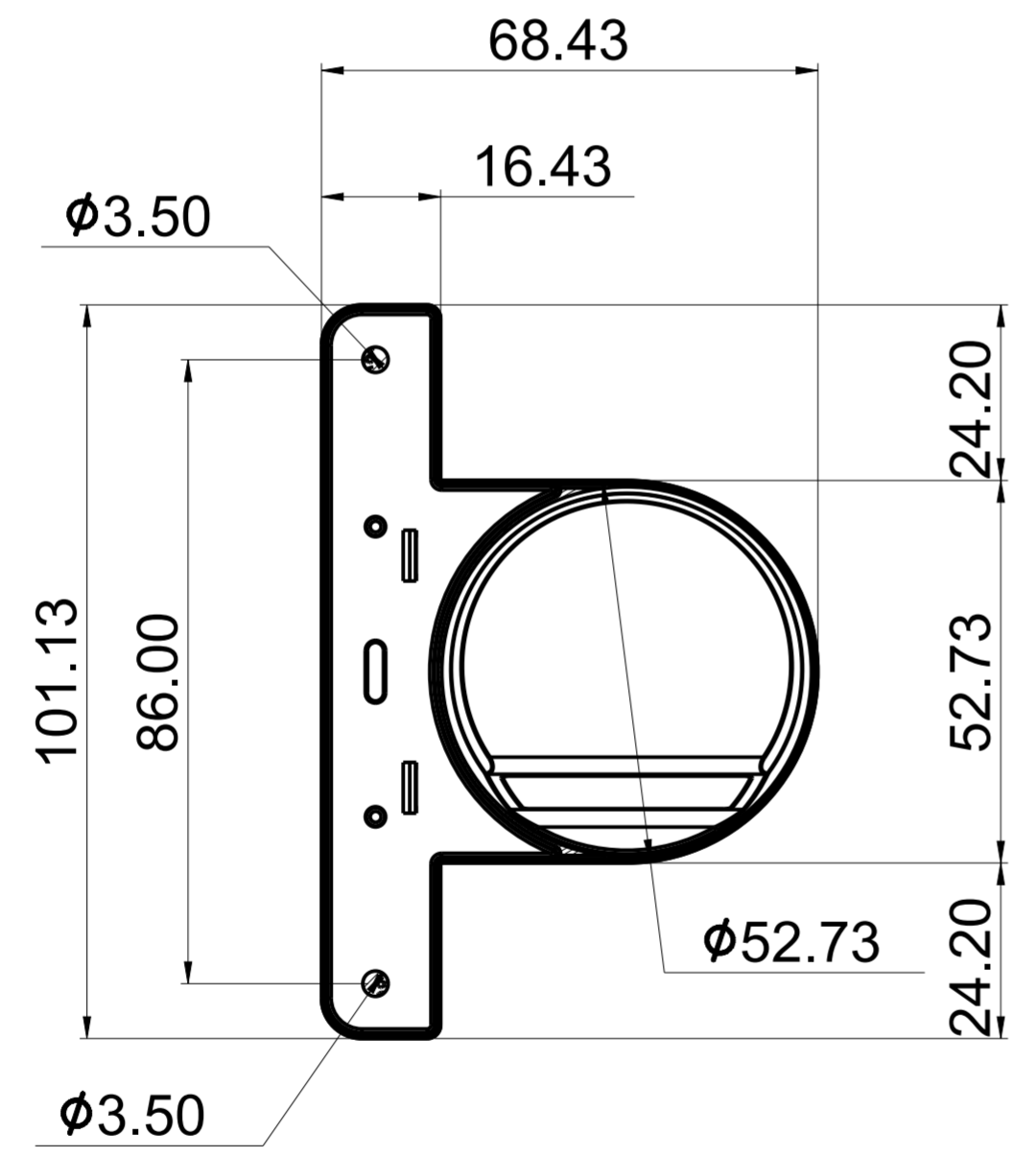
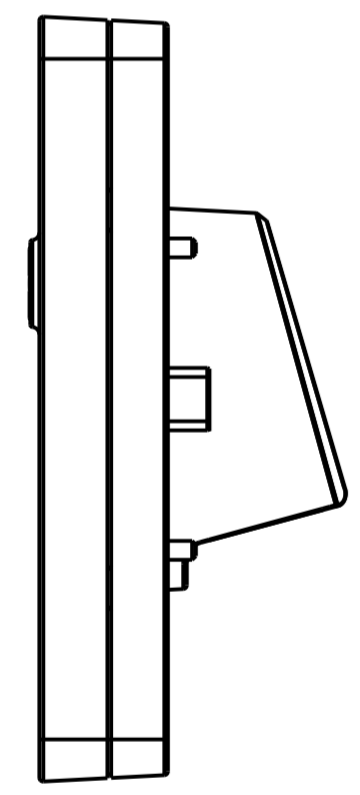
A | B | C | D | E | F | G | H | I | J | K | L | M | N

1
2
3
4
5
6
7

REVISIONS				
ECN	REV.	DESCRIPTION	DATE	APPROVED



SCALE 0.500



8
9

				CONFIDENTIAL			
UNLESS OTHERWISE SPECIFIED DIMENSIONS ARE IN: mm TOLERANCES:				THIS DRAWING(SPECIFICATION) IS THE PROPERTY OF TES CORPORATION ALL RIGHTS RESERVED			
INCHES DECIMALS $\frac{1}{100}$ X	METRIC SEE TABLE			APPROVALS	DATE	PART NAME	
THIRD ANGLE PROJECTION	ANGLES:	COLOR:	MATERIAL:	DRAWN	Aug-30-22	MA-SCAN-A1	
				CHECKED		SIZE A2	DWG NO. ACC-BSC000001BF000
				ISSUED		SCALE 1.000	SHEET 1 OF 1
DO NOT SCALE DRAWING							