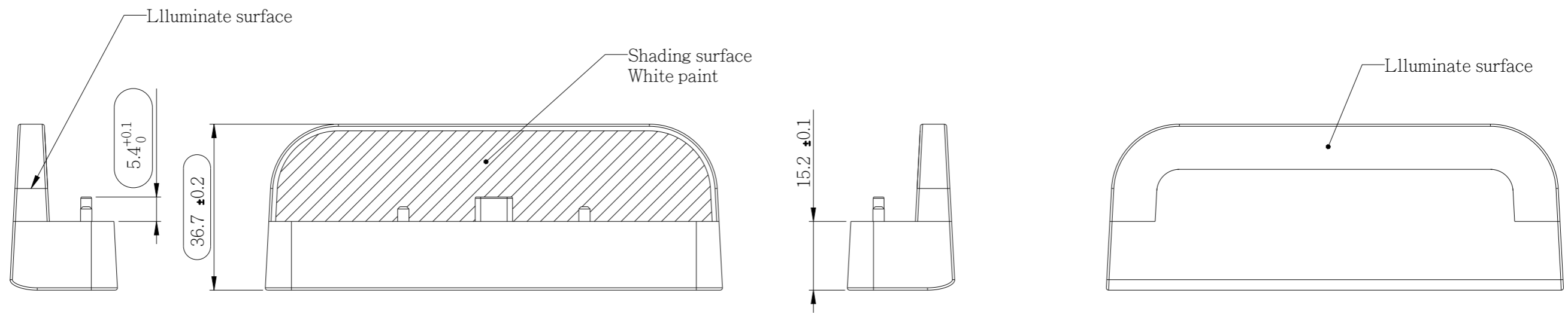
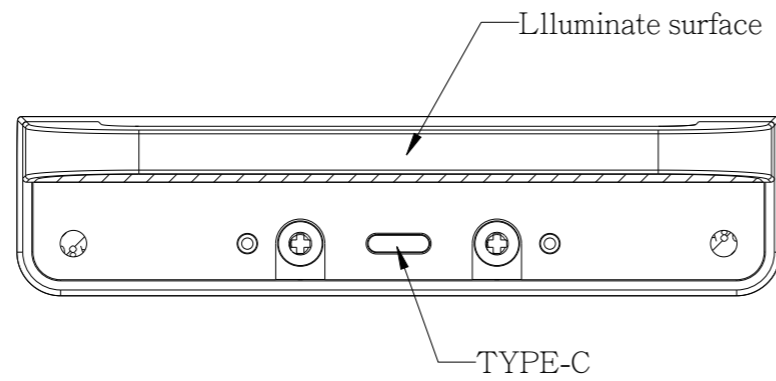


A B C D E F G H I

REVISIONS				
ECN	REV.	DESCRIPTION	DATE	APPROVED

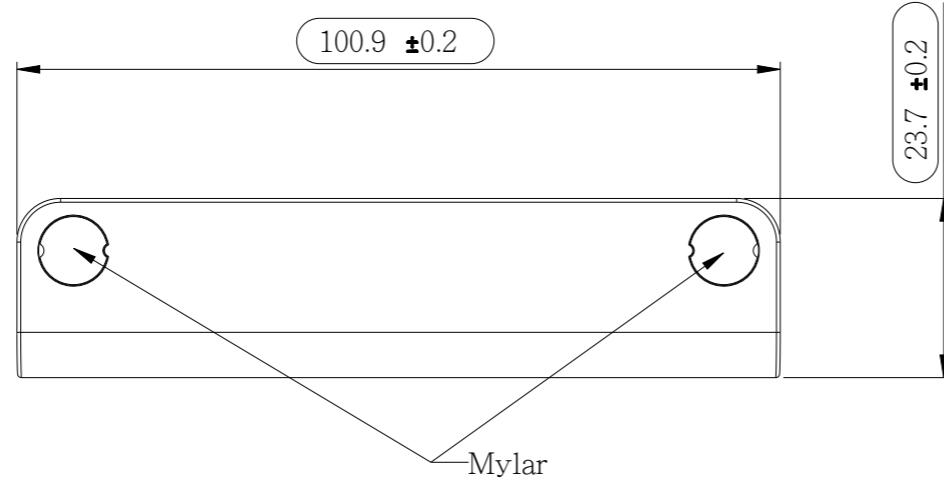


5.4^{+0.1}₀

36.7 ±0.2

100.9 ±0.2

23.7 ±0.2



				CONFIDENTIAL			
				MA-LBAR-A1			
UNLESS OTHERWISE SPECIFIED DIMENSIONS ARE IN: mm		THIS DRAWING (SPECIFICATION) IS THE PROPERTY OF TES CORPORATION ALL RIGHTS RESERVED		APPROVALS		DATE	
INCHES DECIMALS	METRIC						
.XX ±	0.X ±0.2						
.XXX ±	0.XX ±0.1						
APPLICATION				DRAWN		Jan-06-23	
THIRD ANGLE PROJECTION				CHECKED			
				ISSUED			
				DO NOT SCALE DRAWING			
SIZE A3	DWG. NO. ACC-LBR000001BF000	REV.		SCALE 0.333		SHEET 1 OF 1	