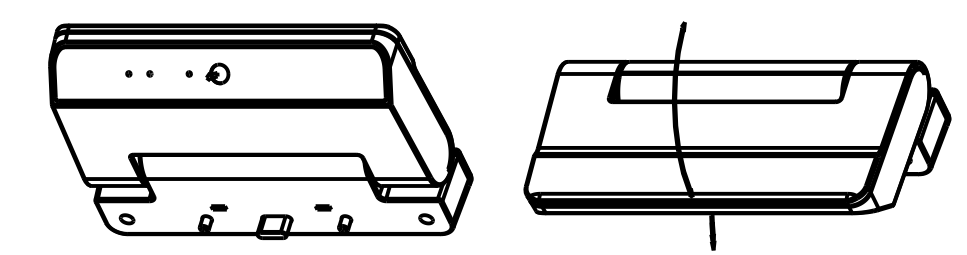
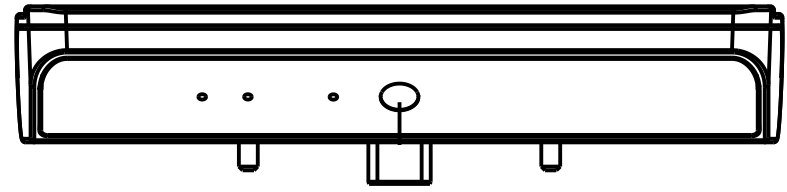


A | B | C | D | E | F | G | H | I | J | K | L | M | N

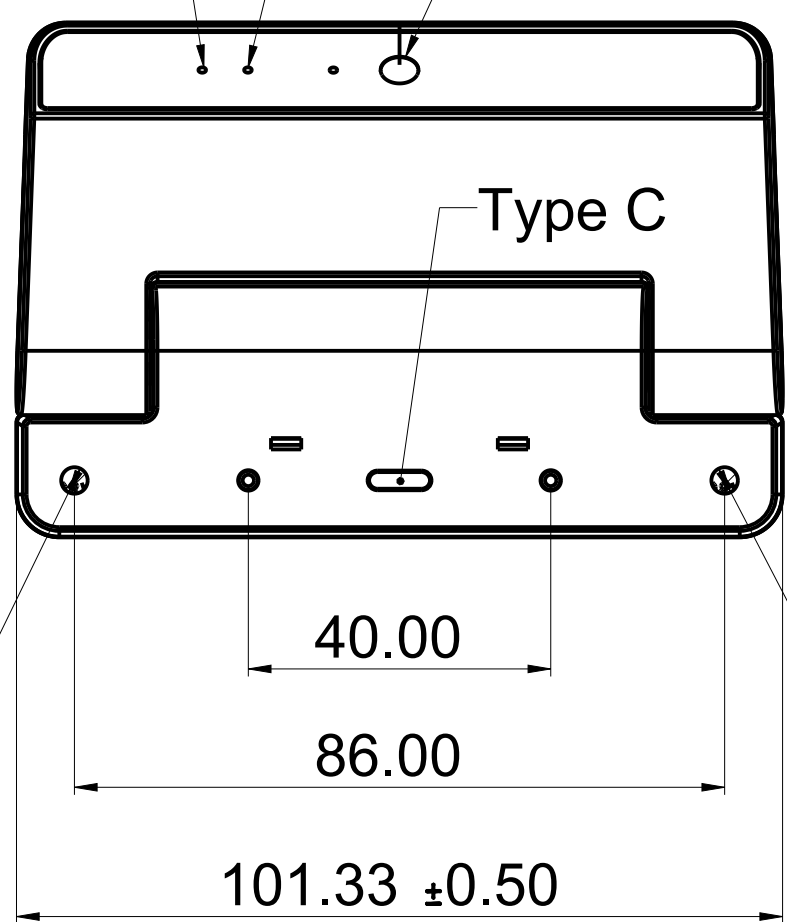
REVISIONS				
ECN	REV.	DESCRIPTION	DATE	APPROVED



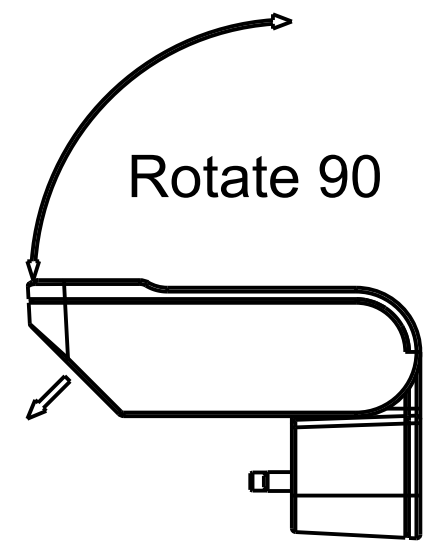
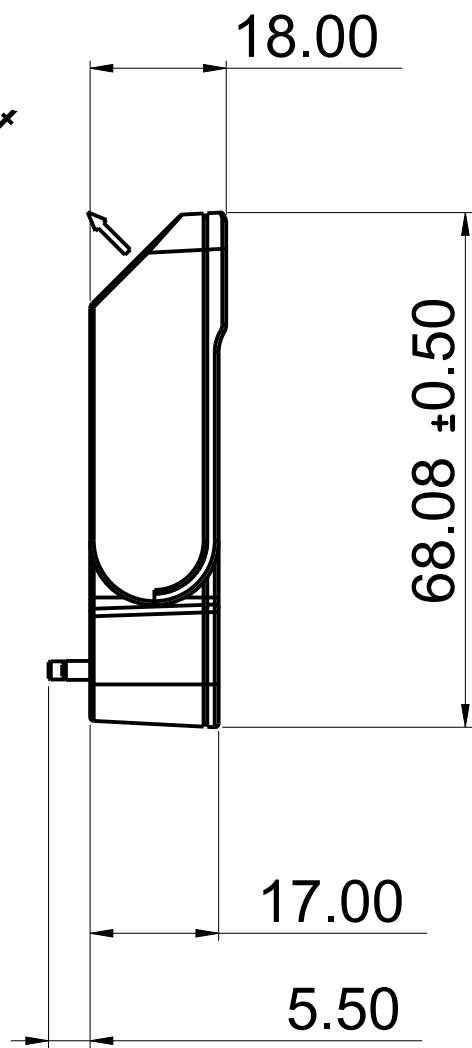
SCALE 0.500



MIC LED Camera Hole

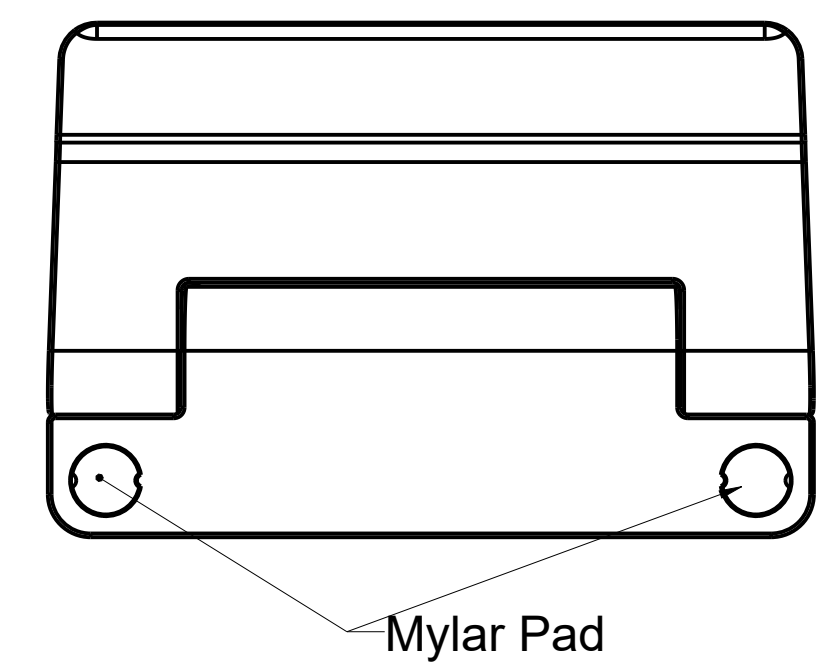


View Direct

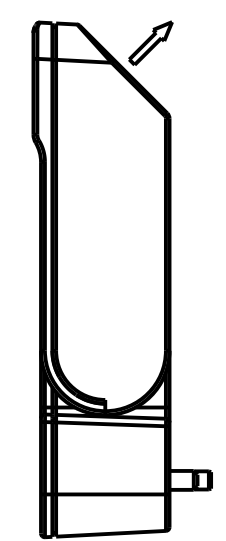
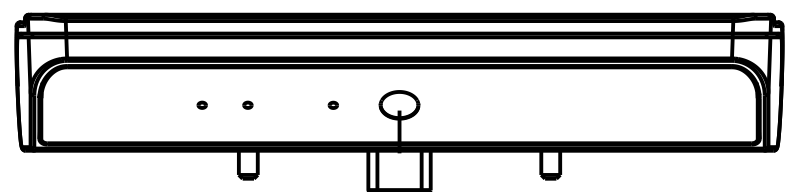


Rotate 90°

View Direct



Mylar Pad



UNLESS OTHERWISE SPECIFIED TOLERANCES(mm)  
EXCEED PRECISION (FOR PLASTIC)

DIMENSION		TOLERANCES(±)
Hyper-	To	
0	25	0.1
25	250	0.2
250	400	0.3
400	500	0.6
500	630	0.9
630	800	1.2

APPLICATION		UNLESS OTHERWISE SPECIFIED DIMENSIONS ARE IN: mm TOLERANCES		THIS DRAWING(SPECIFICATION) IS THE PROPERTY OF TES CORPORATION ALL RIGHTS RESERVED		CONFIDENTIAL	
ITEM	NEXT ASSY	USED ON	INCHES DECIMALS 1/100 X	METRIC	APPROVALS	DATE	PART NAME
							MA-CAM-A1
THIRD ANGLE PROJECTION			ANGLES	COLOR	CHECKED	DATE	SIZE
							A2
DO NOT SCALE DRAWING			MATERIAL	COLOR	ISSUED		DWG NO.
							ACC-CAJ000001BF000
							SCALE
							1.000
							SHEET
							1 OF 1