



USER MANUAL

BAR CODE SCANNER FOR IEC SERIES

2D-PMH-A1 and 2D-LMH-A1



Table of Contents

About This Document	4
Disposal Information	4
Product Overview	5
Key Features	5
Unpacking	5
Package Contents	5
Product Setup and Use	6
Bar Code Scanner Default Settings	9
Default Settings	9
Reset MicroTouch Default Settings.....	9
Caution	9
Presentation Mode	10
Presentation Mode Idle Illumination Light.....	11
Power Up Beeper	12
Presentation Illumination Light Intensity	12
Reread Delay.....	12
Add Carriage Return.....	12
Use HID Keyboard Mode.....	13
Other Settings.....	14
Streaming Presentation Mode	14
Set Beep Volume.....	15
Keyboard Country Layout (Language).....	16
Reset	17
Changing The Physical Orientation.....	18

Appendix..... 20
 Cleaning 20
 Solutions to Common Problems 21
 Warranty Information 22
 RoHS Declaration..... 23

About This Document

No part of this publication may be reproduced, transmitted, transcribed, stored in a retrieval system, or translated into any language or computer language, in any form or by any means, including, but not limited to, electronic, magnetic, optical, chemical, manual, or otherwise without prior written permission of MicroTouch™ a TES Company.

Disposal Information

Waste Electrical and Electronic Equipment



This symbol on the product indicates that, under the European Directive 2012/19/EU governing waste from electrical and electronic equipment, this product must not be disposed of with other municipal waste. Please dispose of your waste equipment by handing it over to a designated collection point for the recycling of waste electrical and electronic equipment. To prevent possible harm to the environment or human health from uncontrolled waste disposal, please separate these items from other types of waste and recycle them responsibly to promote the sustainable reuse of material resources.

For more information about recycling of this product, please contact your local city office or your municipal waste disposal service.

Informations sur l'élimination

Déchets d'équipements électriques et électroniques



Ce symbole sur le produit indique que, conformément à la directive européenne 2012/19/UE régissant les déchets d'équipements électriques et électroniques, ce produit ne doit pas être jeté avec les autres déchets municipaux. Veuillez éliminer vos déchets d'équipement en les remettant à un point de collecte désigné pour le recyclage des déchets d'équipements électriques et électroniques. Pour éviter d'éventuels dommages à l'environnement ou à la santé humaine dus à une élimination incontrôlée des déchets, veuillez séparer ces articles des autres types de déchets et les recycler de manière responsable afin de promouvoir la réutilisation durable des ressources matérielles. Pour plus d'informations sur le recyclage de ce produit, veuillez contacter votre mairie ou votre service municipal d'élimination des déchets.

Product Overview

This product is a feature-rich, flexible bar code scanner that is configured for immediate use out of the box for most applications.

Product Number 2D-PMH -A1 Is preconfigured for Portrait orientation (mounted on the long vertical side of a monitor in Portrait orientation). Product Number 2D-LMH -A1 Is preconfigured for Landscape orientation (mounted on the short vertical side of a monitor in Landscape orientation).



Key Features

- Automatic bar code detection
- Illumination LED for positive bar code reads
- Protection against accidental duplicate reads
- Audible read acknowledgement

Unpacking

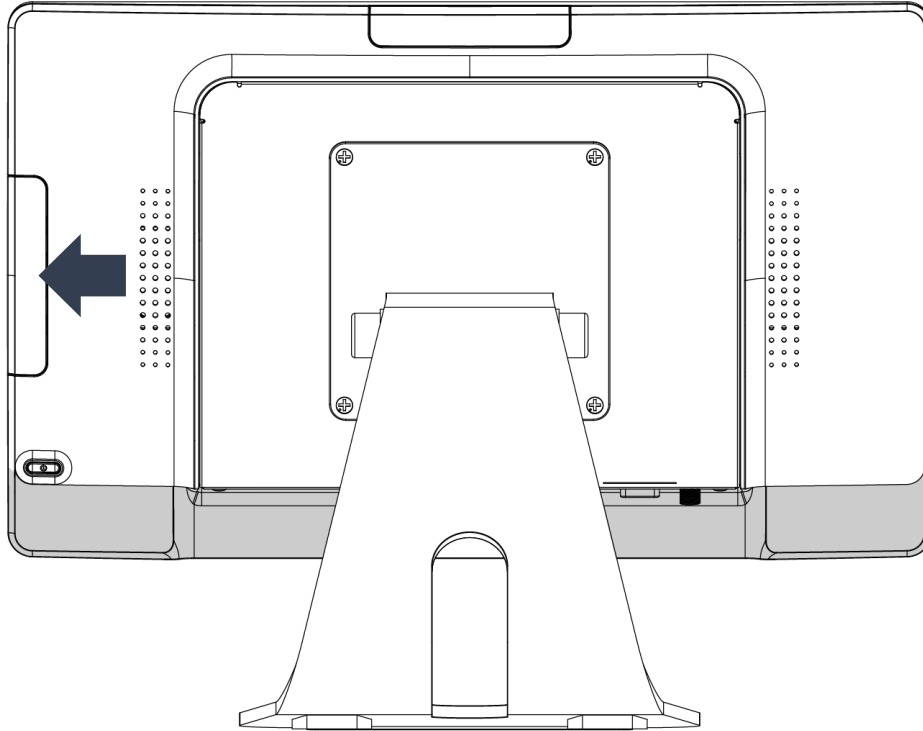
When unpacking please ensure that all the items in the following Accessories section are included. If any are missing or damaged, please contact the place of purchase for a replacement.

Package Contents

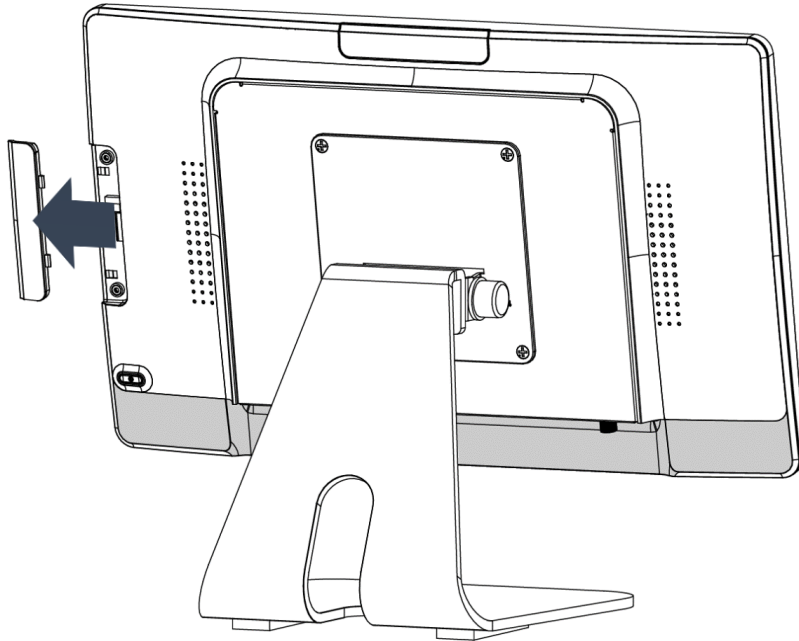
No.	Part	Picture	Qty
1	Bar code Scanner		1
2	M3x6 Screw		2

Product Setup and Use

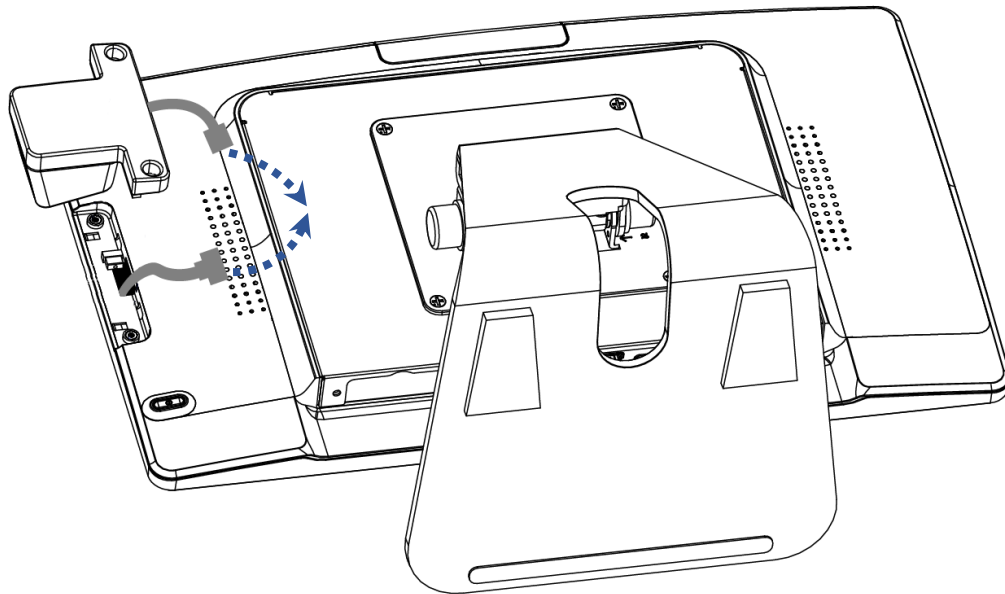
1. The bar code scanner will be installed in the accessory port on back of the left side of the touch computer, as viewed from the front, as noted by the arrow below.



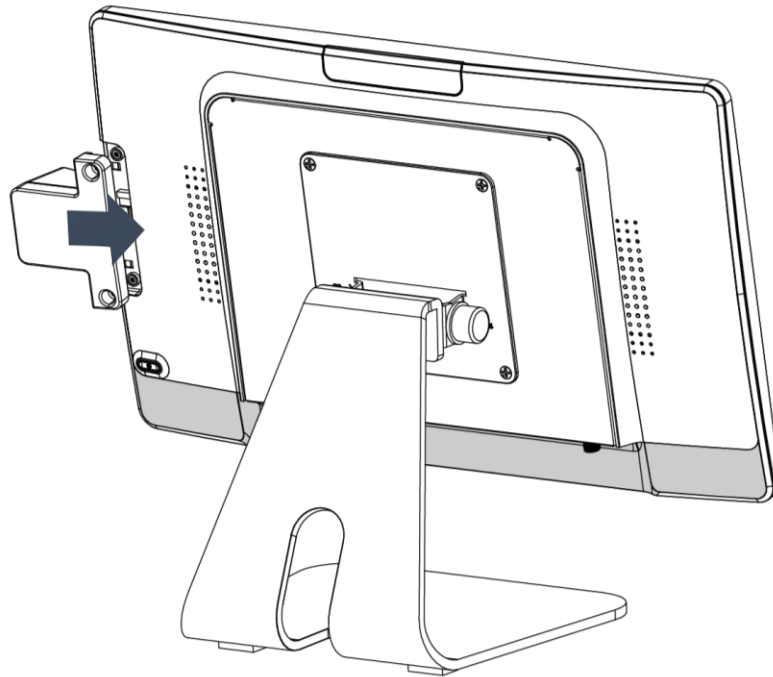
2. Remove the cover from the touch computer's accessory port.



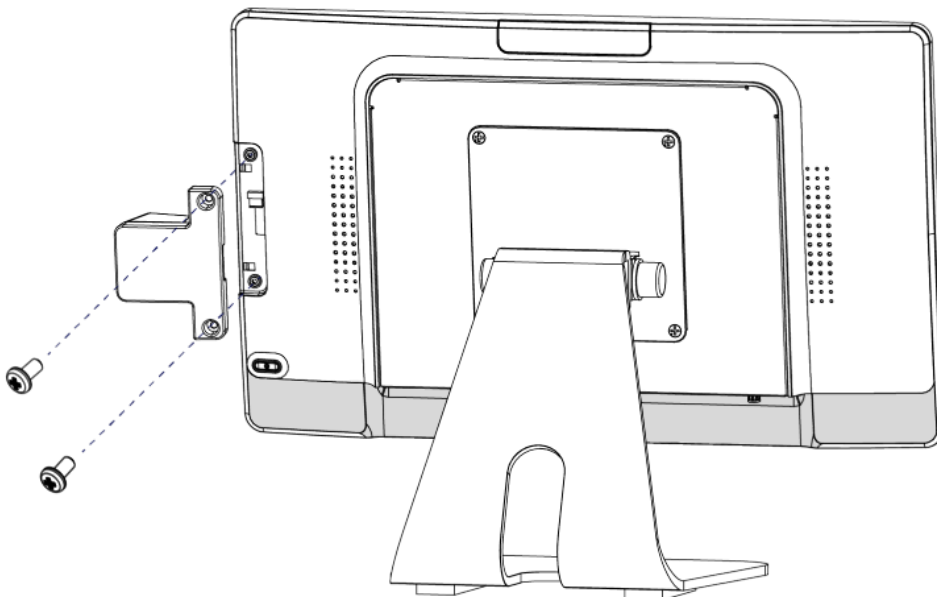
3. Connect the bar code scanner cable to the cable in the touch computer's accessory port. **IMPORTANT:** To avoid damaging the connectors, be sure to observe correct polarity by matching the wire colors (same wire color on each side of each connector).



4. Gently push the bar code scanner into place on the touch computer, making sure the connector is properly stowed.



5. Secure the bar code scanner with the two included M3x6 screws, taking care to not over tighten them.



Bar Code Scanner Default Settings

Default Settings

The IEC Bar code Scanner is ready to use in its default mode. The default parameters, explained in the next section, are:

1. Presentation Mode setting: PAPTPR
2. Presentation Mode Idle Illumination Light: PWRIDL0 (OFF)
3. Power Up Beeper: BEPPWR1 (ON)
4. Presentation Illumination Light: PWRLDC150 (High)
5. Reread Delay: DLYRRD750 (750ms)
6. Add Carriage Return: VSUFCR
7. USB HID Keyboard Mode: TERMID124

Reset MicroTouch Default Settings

If the scanner ever needs to be reset to the MicroTouch as-shipped settings, scan the code below.



Caution

Below are descriptions of the default settings and their optional settings. To avoid rendering the scanner unusable, please use discretion when changing the bar code scanner's settings. No changes will be necessary in most applications, but if changes are required, please reference the Honeywell 4680 2D scanner documentation for additional setup codes, as well as to thoroughly understand the typical codes that are provided below.

https://manuals.plus/honeywell/cm4680-2d-imager-module-manual#configuration_bar_codes

Presentation Mode

Presentation Mode allows the bar code scanner to automatically read a bar code when one is presented (as opposed to requiring the user to press the trigger button). Various settings allow modification to how Presentation Mode works.

PAPTPR (the default) is for optimized scan speed, with limited reading range.

PAPTRE sets “full depth of field”, allowing reading bar codes at a greater distance. Scan the bar code below to set this mode.



To reset to PAPTPR, scan the bar code below:



Presentation Mode Idle Illumination Light

The illumination LED is a bright LED that acts as a “flashlight” to make sure the scanner can see the bar code. In the idle state (when no bar code is present for reading), the illumination light can be turned off (the default) or set to Low, Medium or High brightness. If the bar code scanner doesn’t wake up and read a bar code when one is presented, the illumination light may need to be set to one of the constantly ON states. Scan one of the codes below to alter the idle illumination light setting.



To reset the idle illumination to OFF, scan the bar code below.



Power Up Beeper

By default, the bar code scanner beeps when it first turns on. This is the BEPPRWR1 setting.

Presentation Illumination Light Intensity

The illumination LED comes on when a bar code is presented for reading. The intensity is set to High (PWRLDC150) by default.

Reread Delay

When a bar code is read, the Reread Delay sets the amount of time before the same bar code can be read again. This protects against accidental rereads of the same bar code. The default setting (DLYRRD750) is 750 milliseconds.

Add Carriage Return

By default, the bar code scanner adds a carriage return after every scan. This is the VSUFCR setting.

Modes

By default, the bar code scanner uses the USB HID interface. Other modes can be set by scanning the bar codes below



TERMID130.

USB Serial Interface



TERMID124.

USB PC Keyboard

To reset to the default USB HID interface mode, scan the bar code below.



TERMID131.

USB HID

Other Settings

Streaming Presentation Mode

In Streaming Presentation Mode, the bar code scanner continuously scans for bar codes. Streaming Mode overrides Presentation Mode.

Normal Streaming Mode offers good scan speed and the longest ranges (depth of field).



Enhanced Streaming Mode gives the highest possible scan speed but slightly less range ranges (depth of field).



Mobile Phone Streaming Mode optimizes the scanner to read bar codes from mobile phones or other LED displays. Scanning speed may be slightly reduced.



See the Presentation Mode section to reset to standard Presentation mode.

Set Beep Volume

The bar code scanner can be set to beep at various intensities when a bar code is scanned to let the user know the scan is complete. It can also be turned off, but this is inadvisable.



Keyboard Country Layout (Language)



KBDCTY0.
United States



KBDCTY3.
French



KBDCTY4.
German



KBDCTY5.
Italian

Reset

The RESET bar code below simply turns the bar code scanner off and back on. No settings are affected. To reset the bar code scanner to its default settings, scan the code at the beginning of this (Bar Code Scanner Settings) section.

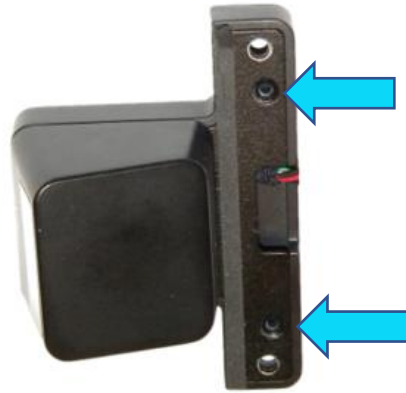


Changing The Physical Orientation

To allow for maximum flexibility in mounting, the bar code scanner can be configured to mount at any of four orientations. To change the orientation, follow the steps below.

Remove the screws

Place the bar code scanner on an acceptable work surface and remove the Phillips #0 screws:



Separate the halves

Separate the two plastic case halves by gently lifting the back cover at the cable exit point, then sliding the cover off.



Remove the internal screws

Remove the two #0 Phillips screws that hold the bar code scanner to the metal bracket.



Rotate the scanner

Note that there are four mounting holes in the bracket, allowing the scanner to be rotated to any mounting position in 90 degree increments. Rotate the scanner to the desired orientation and replace and gently tighten the two screws.



Final reassembly

Reassemble the case halves, install the two screws and tighten snugly, taking care not to overtighten them.

Appendix

Cleaning

To clean the case, dampen a clean cloth lightly with water and a mild detergent and wipe gently. Do not use volatile solvents, waxes or any abrasive cleaners on any part of the product.

Solutions to Common Problems

How can I test functionality?

Set the barcode scanner to “USB PC Keyboard” mode (see Modes section above). Open a text editor – Notepad, Keep Notes, or similar. Place the cursor in the text editor and scan a barcode or QR code from a commercial product. The code’s data will be scanned into the text editor as generic text. If the code data does not scan into the text editor, check the connector and wiring, making sure the connector has not been damaged.

Bar code scanner doesn’t read presented bar codes reliably.

Ambient light may be too low. There must be sufficient ambient light for the scanner to detect the presence of a bar code. If the ambient light cannot be increased, try scanning the PWRIDL7 code (see Presentation Mode Idle Illumination section above) to set the illumination light to always on at a low level. Other intensities can also be set as needed.

The barcode scanner does not light up after installation:

This is most likely due to incorrect cable polarity matching. Verify that the wire colors from the touch computer match the same orientation as the barcode scanner accessory (see Product Setup and Use section above).

Bar code not scanning into my application:

The barcode scanner’s current emulation mode (HID, Keyboard or Serial) may not match what your application is set to receive. Please review the technical information for you application for setting up barcode scanners.

Warranty Information

Except as otherwise stated herein, or in an order acknowledgment delivered to Buyer, Seller warrants to Buyer that the Product shall be free of defects in materials and workmanship. The warranty for the touchscreen display and their components is three years. Seller makes no warranty regarding the model life of components. Seller's suppliers may at any time and from time to time make changes in the components delivered as Products or components. Buyer shall notify Seller in writing promptly (and in no case later than 30 days after discovery) of the failure of any Product to conform to the warranty set forth above; shall describe in commercially reasonable detail in such notice the symptoms associated with such failure; and shall provide to Seller the opportunity to inspect such Products as installed, if possible. The notice must be received by Seller during the Warranty Period for such product, unless otherwise directed in writing by the Seller. Within thirty days after submitting such notice, Buyer shall package the allegedly defective Product in its original shipping carton(s) or a functional equivalent and shall ship to Seller at Buyer's expense and risk. Within a reasonable time after receipt of the allegedly defective Product and verification by Seller that the Product fails to meet the warranty set forth above, Seller shall correct such failure by, at Seller's options, either (i) modifying or repairing the Product or (ii) replacing the Product. Such modification, repair, or replacement and the return shipment of the Product with minimum insurance to Buyer shall be at Seller's expense. Buyer shall bear the risk of loss or damage in transit, and may insure the Product. Buyer shall reimburse Seller for transportation cost incurred for Product returned but not found by Seller to be defective. Modification or repair, of Products may, at Seller's option, take place either at Seller's facilities or at Buyer's premises. If Seller is unable to modify, repair, or replace a Product to conform to the warranty set forth above, then Seller shall, at Seller's option, either refund to Buyer or credit to Buyer's account the purchase price of the Product less depreciation calculated on a straight-line basis over Seller's stated Warranty Period. These remedies shall be the buyer's exclusive remedies for breach of warranty. Except for the express warranty set forth above, seller grants no other warranties, express or implied by statute or otherwise, regarding the products, their fitness for any purpose, their quality, their merchantability, their non-infringement, or otherwise. No employee of Seller or any other party is authorized to make any warranty for the goods other than the warranty set forth herein. Seller's liability under the warranty shall be limited to a refund of the purchase price of the product. In no event shall Seller be liable for the cost of procurement or installation of substitute goods by Buyer or for any special, consequential, indirect, or incidental damages. Buyer assumes the risk and agrees to indemnify Seller against and hold Seller harmless from all liability relating to (i) assessing the suitability for Buyer's intended use of the Products and of any system design or drawing and (ii) determining the compliance of Buyer's use of the Products with applicable laws, regulations, codes, and standards. Buyer retains and accepts full responsibility for all warranty and other claims relating to or arising from Buyer's products, which include or incorporate Products or components manufactured or supplied by Seller. Buyer is solely responsible for any and all representations and warranties regarding the Products made or authorized by Buyer. Buyer will indemnify Seller and hold Seller harmless from any liability, claims, loss, cost, or expenses (including reasonable attorney's fees) attributable to Buyer's products or representations or warranties concerning same.

RoHS Declaration

Equipment name : Bar Code Scanner Type designation (Type) : 2D-PMH-A1 2D-LMH-A1						
Component	Restricted substances and their chemical symbols					
	Lead (Pb)	Mercury (Hg)	Cadmium (Cd)	Hexavalent chromium (Cr ⁺⁶)	Polybrominated biphenyls (PBB)	Polybrominated diphenyl ethers (PBDE)
Plastic Parts	○	○	○	○	○	○
Metal Parts	-	○	○	○	○	○
Cable components	-	○	○	○	○	○
LCD Panel	-	○	○	○	○	○
Touch Panel	-	○	○	○	○	○
PCBA	-	○	○	○	○	○
Software	○	○	○	○	○	○
Notes "○" indicates that the percentage of the restricted substance does not exceed the permissible limit. "-" indicates that the restricted substance is exempt.						



TES AMERICA LLC | 215 Central Avenue, Holland, MI 49423 | (616) 786-5353

www.MicroTouch.com | www.usorders@microtouch.com

The information presented in this user manual is intended as general information about MicroTouch products and is subject to change. Product specifications and warranties will be governed by TES America, LLC. Standard terms and conditions of sale. Products are subject to availability. Copyright © 2022 TES America, LLC. All rights reserved. Android is a trademark of Google LLC. Windows is a trademark of Microsoft Corporation in the United States and other countries.

