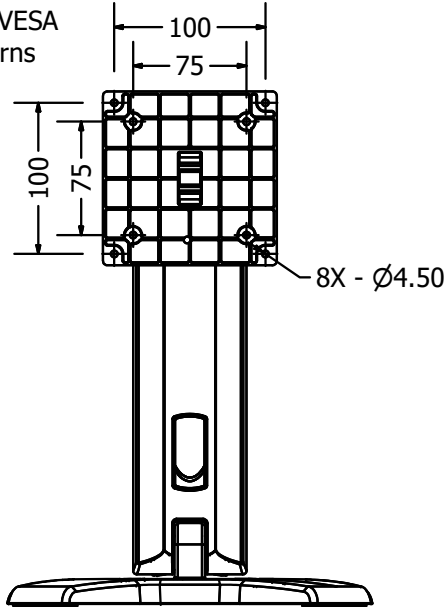


2

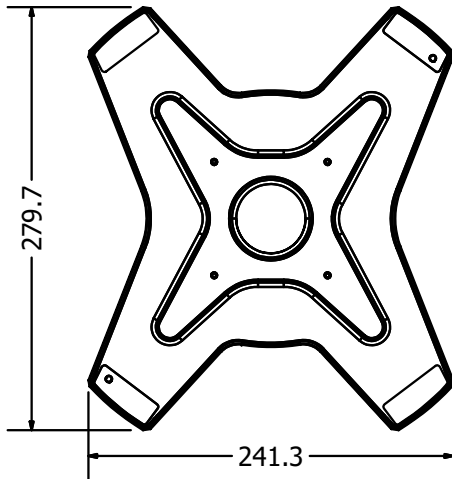
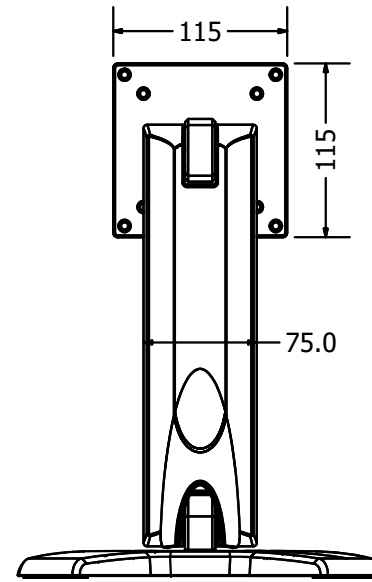
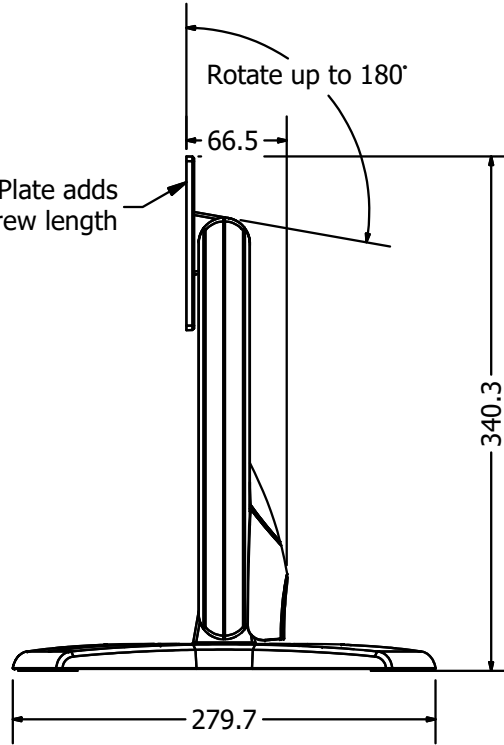
1

Two VESA Patterns



Mounting Plate adds 3mm to screw length

Rotate up to 180°



THIS DRAWING AND OR TECHNICAL INFORMATION IS THE SOLE PROPERTY OF TES AMERICA, LLC. AND IS FURNISHED FOR AUTHORIZED USE ONLY AND ON THE UNDERSTANDING AND CONDITION THAT IT IS CONFIDENTIAL. NEITHER THIS DOCUMENT NOR THE INFORMATION DISCLOSED HEREIN SHALL BE DISCLOSED TO OTHERS, COPIED, REPRODUCED OR OTHERWISE TRANSFERRED TO OTHER DOCUMENTS, OR USED FOR MANUFACTURING OR ANY OTHER PURPOSE EXCEPT AS AUTHORIZED BY TES AMERICA, LLC.



HOLLAND, MI 49423 - USA

MS-240-A1  
Optional stand for the DT-238P-M1

**TOLERANCING**  
UNLESS OTHERWISE SPECIFIED  
ALL DIMS ARE mm  
.X ± 0.20 RADIUS ± 0.15  
.XX ± 0.10 ANGLES ± 0.5°  
DO NOT SCALE DRAWING

DR: MPB CK: Material:  
DATE: 11/12/2021

Material:

SCALE: NTS

SHEET: 1 OF 1

DWG. No.  
F82409210KIT

VER.  
01



REV	DATE	DESCRIPTION	BY

2

1