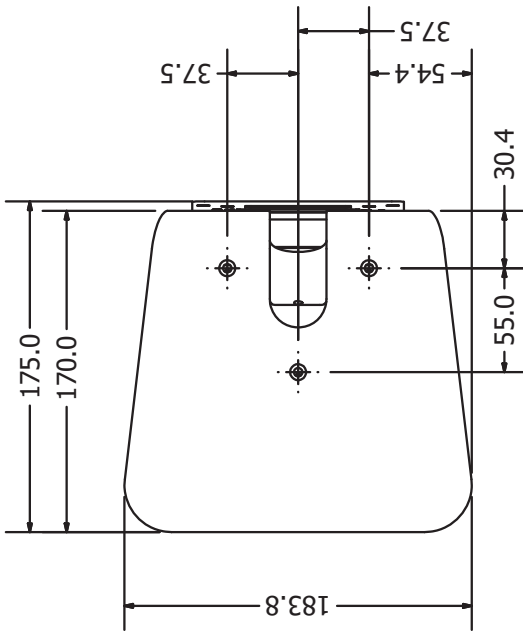
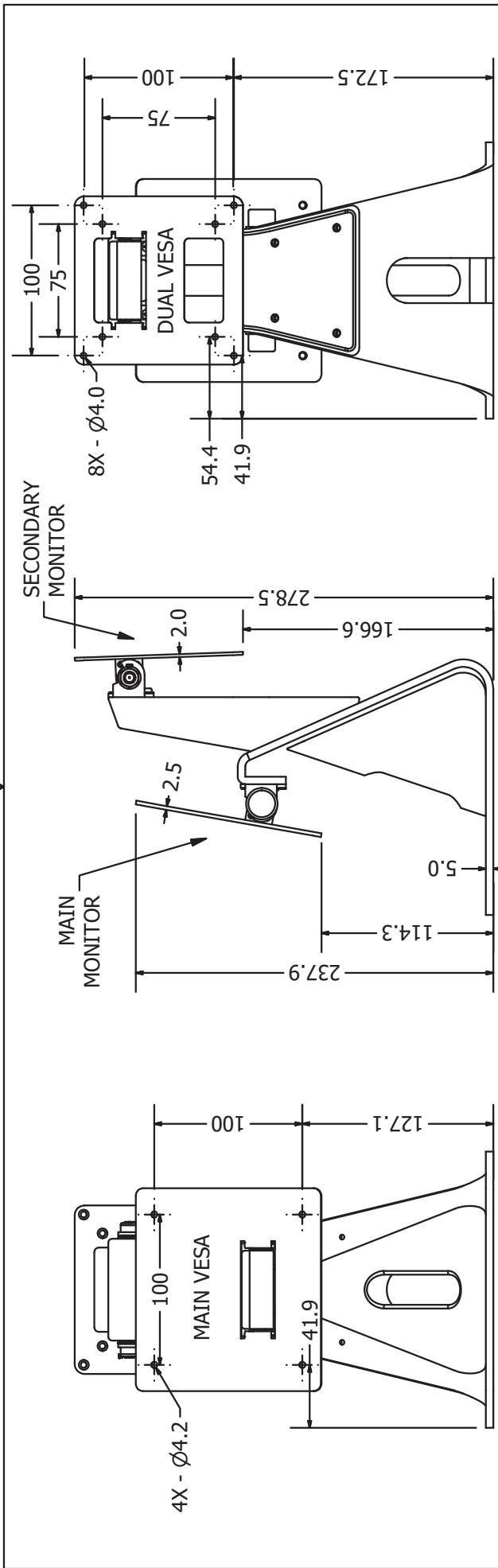


1

2



THIS DRAWING AND ALL TECHNICAL INFORMATION IS THE SOLE PROPERTY OF TES AMERICA, LLC. AND IS FURNISHED FOR AUTHORIZED USE ONLY. IT IS NOT TO BE REPRODUCED, COPIED, OR TRANSMITTED IN ANY FORM OR BY ANY MEANS, ELECTRONIC OR MECHANICAL, INCLUDING PHOTOCOPYING, RECORDING, OR BY ANY INFORMATION STORAGE AND RETRIEVAL SYSTEM, WITHOUT THE WRITTEN PERMISSION OF TES AMERICA, LLC. THE INFORMATION DISCLOSED HEREIN SHALL BE USED ONLY FOR THE PURPOSES SPECIFIED IN THE DRAWING AND SHALL NOT BE USED FOR ANY OTHER PURPOSES, OR USED FOR MANUFACTURING OR REPAIR OF ANY OTHER PARTS, EXCEPT AS AUTHORIZED BY TES AMERICA, LLC.

**TOLERANCING**  
UNLESS OTHERWISE SPECIFIED

.X ± 0.20 ALL DIMS ARE mm  
RADIUS ± 0.15  
.XX ± 0.10 ANGLES ± 0.5°

DO NOT SCALE DRAWING

REV	DATE	DESCRIPTION	BY

**MicroTouch.**  
HOLLAND, MI 49423 - USA

DD-215-A1  
Dual-Display Stand

DR: CK: Material: NTS  
DATE: 3/22/2022 SHEET: 1 OF 1  
DWG. NO. F82220213KIT VER. 01

THIRD ANGLE VIEW

1

2