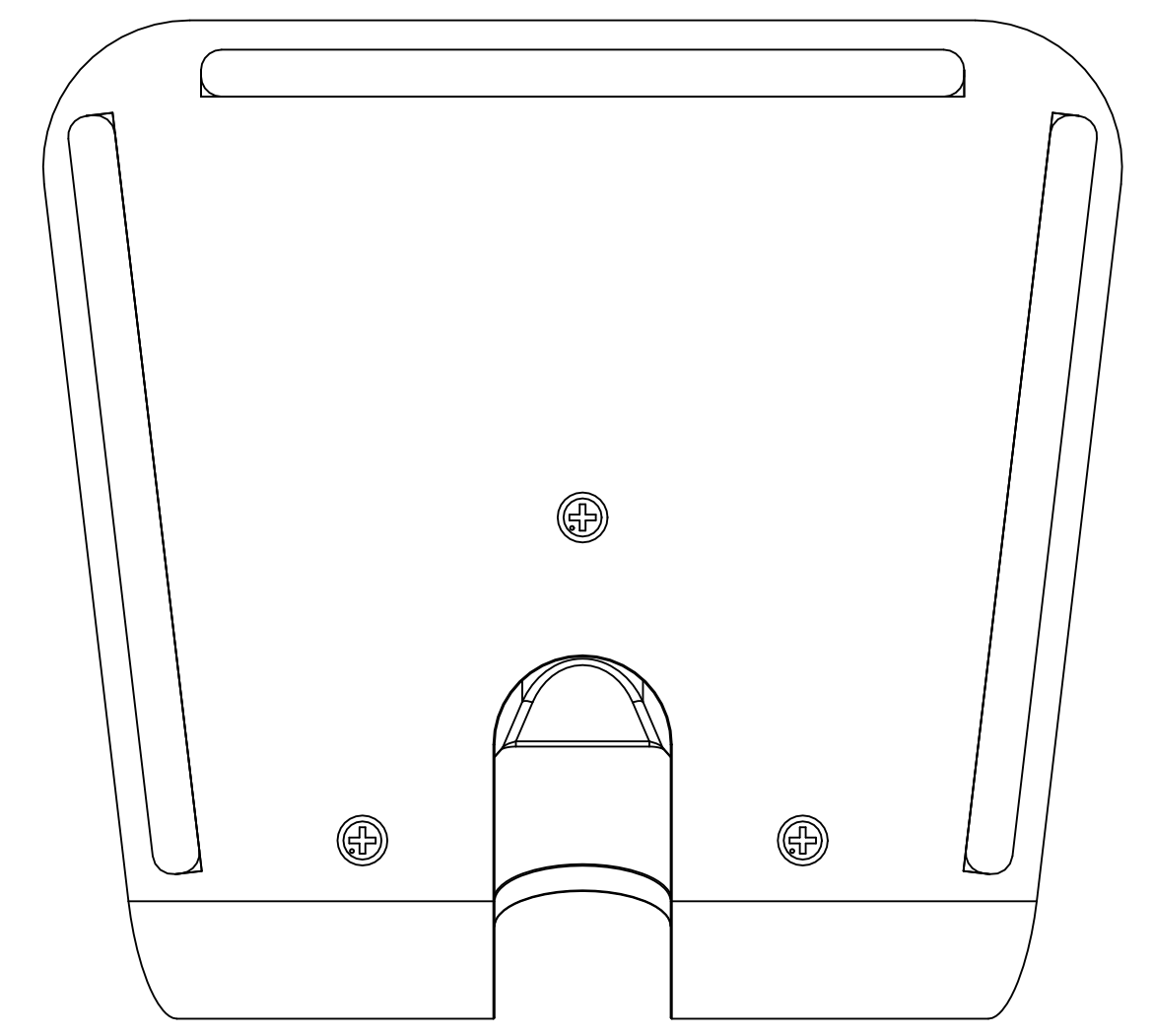
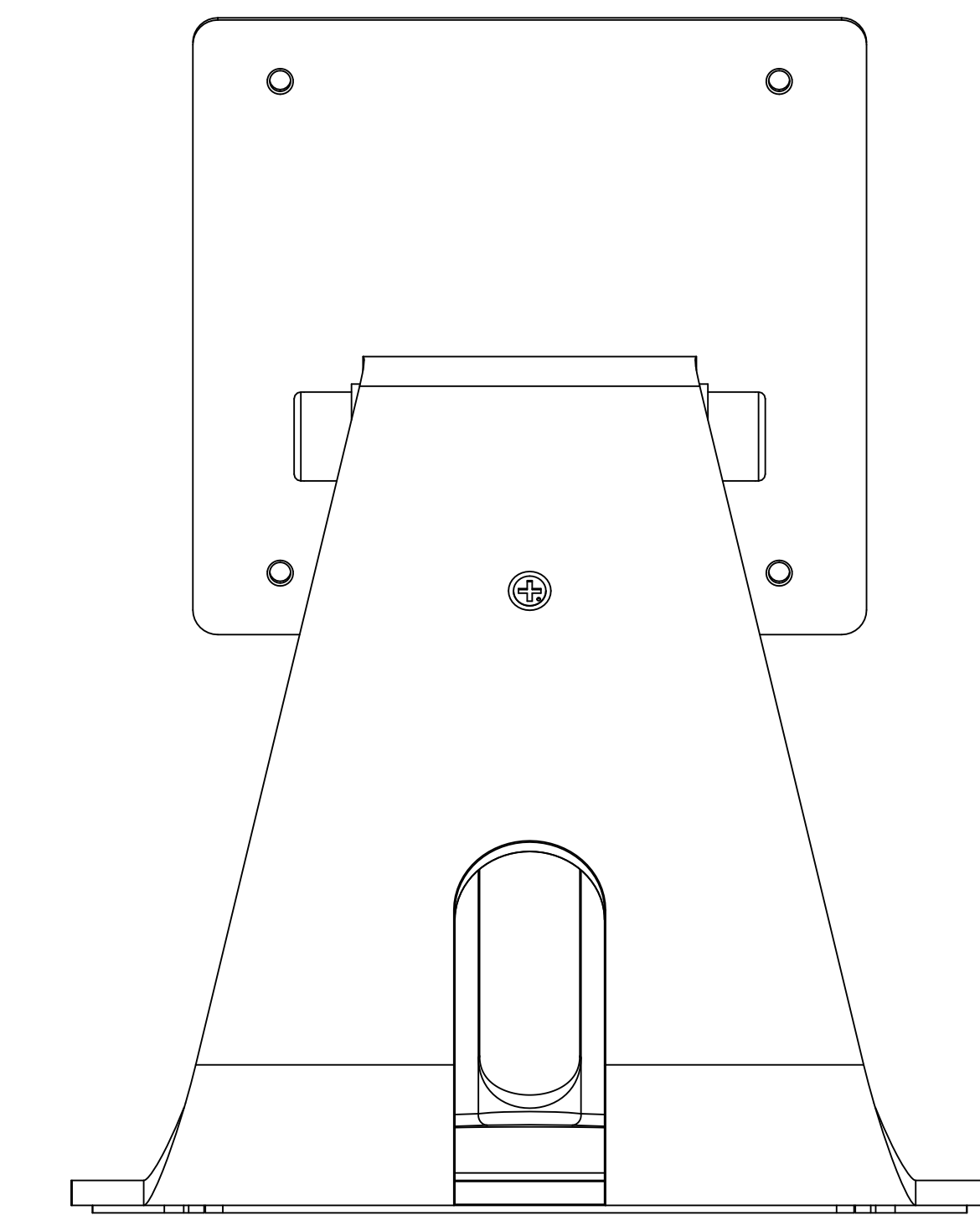
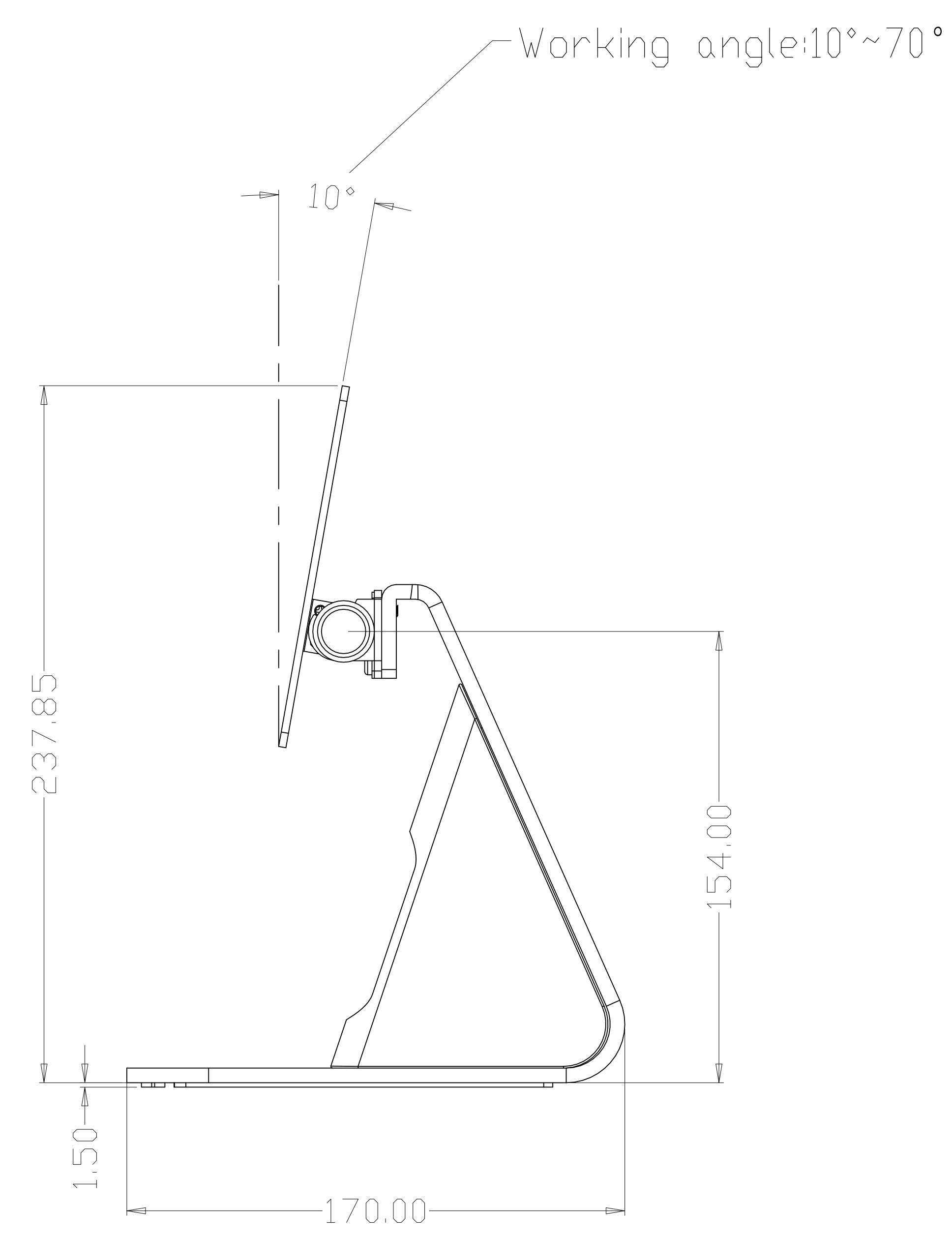
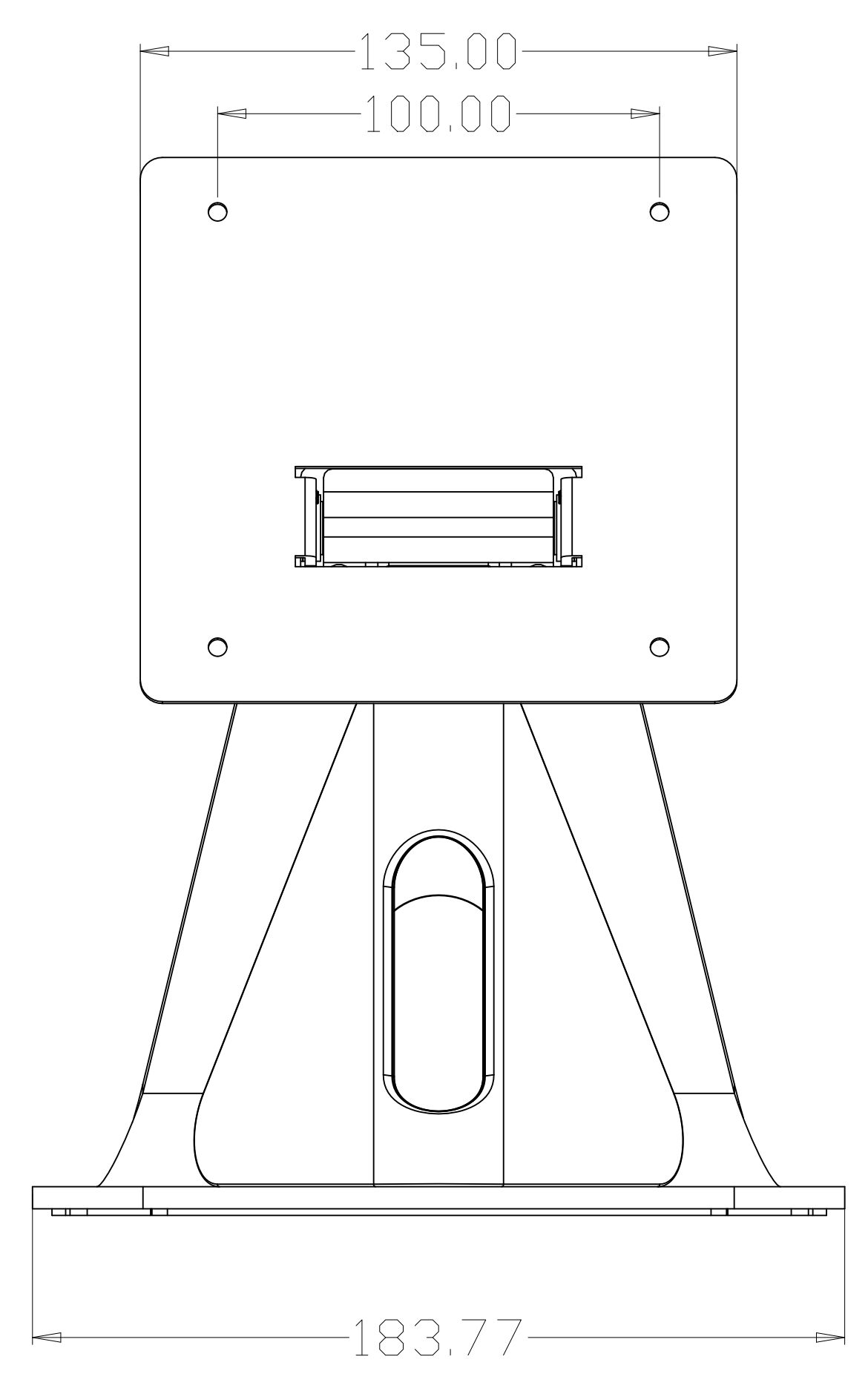
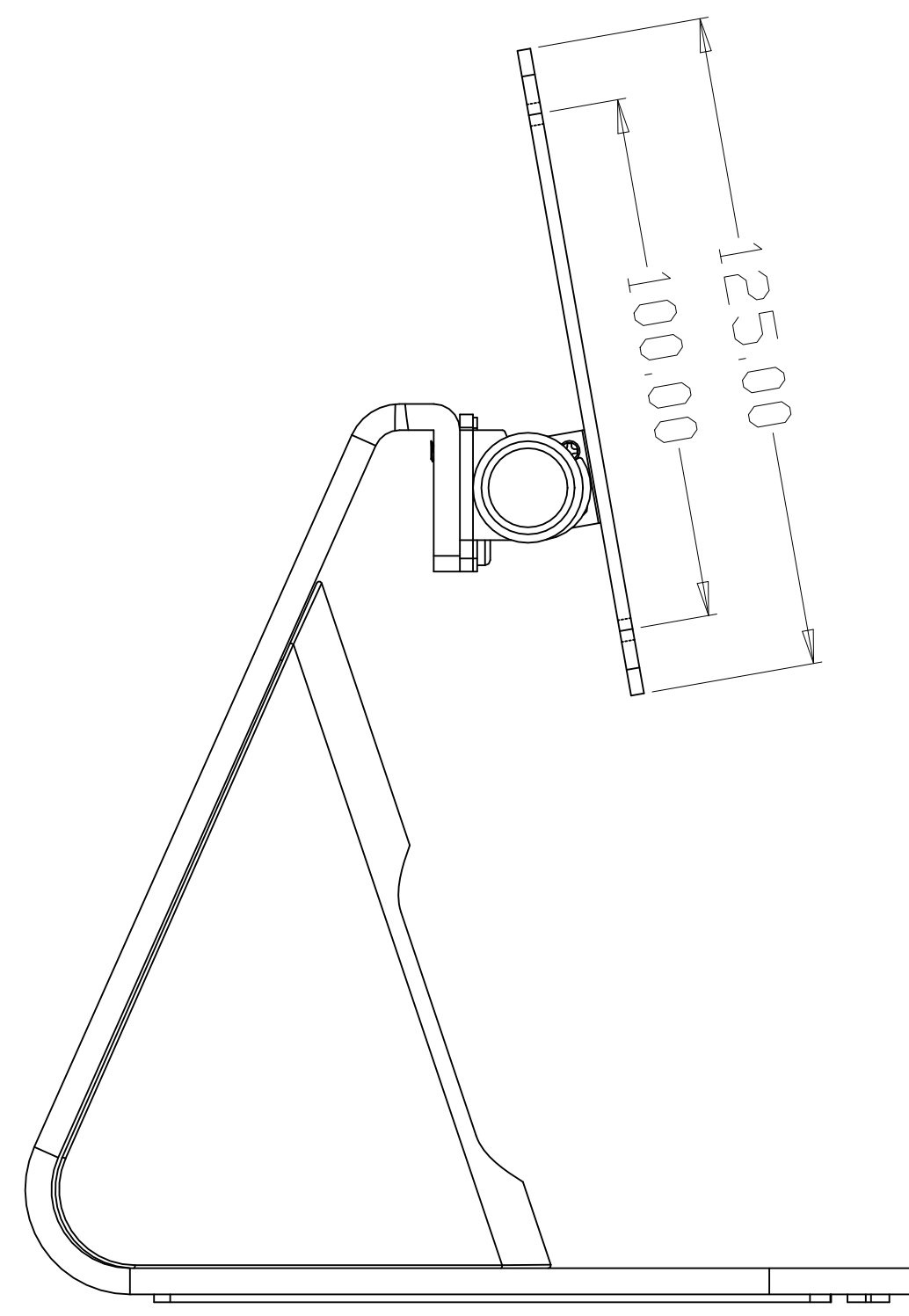
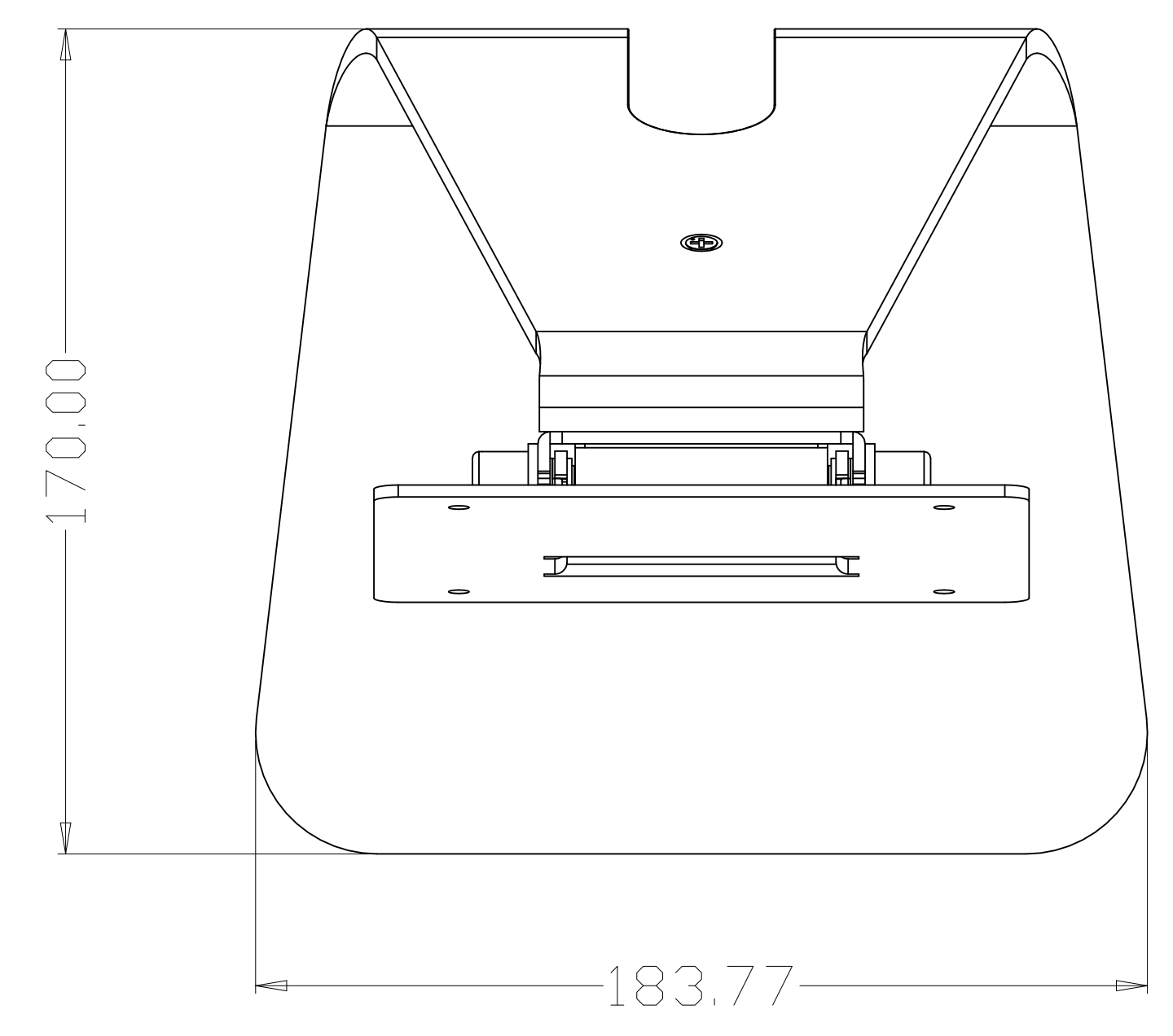


A | B | C | D | E | F | G | H | I | J | K | L | M

1
2
3
4
5
6
7
8
9

--	--	--	--	--



MicroTouch CONFIDENTIAL									
UNLESS OTHERWISE SPECIFIED THIS DRAWING SPECIFICATION IS THE PROPERTY OF THE COMPANY AND IS NOT TO BE REPRODUCED OR COPIED IN ANY MANNER WITHOUT THE WRITTEN PERMISSION OF THE COMPANY.									
NEXT REV		USED ON		MODEL: SS-215-A1 REV: 1		APPROVALS: _____ DATE: 2020-09-22		PART NAME: SS-215-A1 Stand	
THIRD ANGLE PROJECTION		MATERIAL: _____		COLOR: _____		DRAWN: Svy 2020-09-22 CHECKED: Billy 2020-09-22 ISSUED: Chris 2020-09-22		SIZE: A0 ENG. NO.: _____ SCALE: _____	
DO NOT SCALE DRAWING									
								SHEET 1 OF 1	