



USER MANUAL

TOUCH COMPUTER

IC-215P-AW2-W10



Table of Contents

About This Document	4
Compliance Information	5
Important Safety Instructions	7
Usage Notice	7
Precautions.....	7
Warnings	9
Installation Tips	10
Product Overview	11
Key Features	11
Unpacking	11
Package Contents	12
Product Setup and Use.....	13
Input and Output Connectors.....	13
Configuration and Cable Connections	14
Turning the Touch Computer On and Off	15
Mounting options	16
VESA Mount	16
Specifications and Dimensions	17
Specifications	17
Dimensions (without stand)	19
Dimensions (with SS-215-A1 stand).....	21
Optional Accessory Installation	21
Installing the Optional Stand.....	22
Installing the Camera	24
Installing the MSR.....	26

Appendix.....	29
Cleaning	29
Solutions to Common Problems	30
Warranty Information	31
RoHS Declaration.....	32

About This Document

No part of this publication may be reproduced, transmitted, transcribed, stored in a retrieval system, or translated into any language or computer language, in any form or by any means, including, but not limited to, electronic, magnetic, optical, chemical, manual, or otherwise without prior written permission of MicroTouch™ a TES Company.

Compliance Information

For FCC (USA)

This equipment has been tested and found to comply with the limits for a Class B digital device, pursuant to part 15 of the FCC Rules. These limits are designed to provide reasonable protection against harmful interference in a residential installation. This equipment generates, uses, and can radiate radio frequency energy, and if not installed and used in accordance with the instructions, may cause harmful interference to radio communications. However, there is no guarantee that interference will not occur in a particular installation. If this equipment does cause harmful interference to radio or television reception, which can be determined by turning the equipment off and on, the user is encouraged to try to correct the interference by one or more of the following measures:

- Reorient or relocate the receiving antenna.
- Increase the separation between the equipment and receiver.
- Connect the equipment into an outlet on a circuit different from that to which the receiver is connected.
- Consult the dealer or an experienced radio/TV technician for help.

This device complies with part 15 of the FCC Rules. Operation is subject to the following two conditions: (1) this device may not cause harmful interference, and (2) this device must accept any interference received, including interference that may cause undesired operation.

For IC (Canada)

CAN ICES-3(B)/NMB-3(B)

For CE (EU)

The device complies with the EMC Directive 2014/30/EU and Low Voltage Directive 2014/35/EU

Disposal Information

Waste Electrical and Electronic Equipment



This symbol on the product indicates that, under the European Directive 2012/19/EU governing waste from electrical and electronic equipment, this product must not be disposed of with other municipal waste. Please dispose of your waste equipment by handing it over to a designated collection point for the recycling of waste electrical and electronic equipment. To prevent possible harm to the environment or human health from uncontrolled waste disposal, please separate these items from other types of waste and recycle them responsibly to promote the sustainable reuse of material resources.

For more information about recycling of this product, please contact your local city office or your municipal waste disposal service.

Renseignements relatifs à la conformité

Pour la FCC (États-Unis)

Ce matériel a fait l'objet d'essais qui ont déterminé qu'il respectait les limites d'un appareil de classe B selon la partie 15 des règlements de la FCC. Ces limites sont établies pour assurer une protection raisonnable contre les parasites nuisant à une installation résidentielle. Ce matériel génère, utilise et peut émettre des ondes radio électriques, et lorsqu'il n'est pas installé et utilisé selon les instructions, peut causer des parasites nuisant aux communications radio. Il n'y a toutefois aucune garantie qu'il n'y aura pas de parasites dans une installation en particulier. Si ce matériel cause des parasites à la réception d'ondes radio ou de télévision, ce qui peut être déterminé en l'éteignant et en l'allumant, l'utilisateur est invité à essayer de corriger le problème des parasites par l'une ou l'autre des mesures suivantes :

- Réorienter ou déplacer l'antenne de réception.
- Augmenter la distance entre le matériel et la réception.
- Brancher le matériel dans une prise sur un autre circuit que celui où le récepteur est branché.
- Consulter le distributeur ou un technicien radio ou TV expérimenté pour des conseils.

L'appareil respecte la partie 15 des règlements de la FCC. Le fonctionnement doit respecter les deux conditions suivantes : 1) cet appareil ne doit pas causer de parasites et (2) cet appareil doit accepter tous les parasites reçus, notamment ceux pouvant causer un fonctionnement non voulu.

Pour Industrie Canada

Norme canadienne NMB-3(B)

Pour la CE (UE)

L'appareil respecte la directive 2014/30/UE relative à la compatibilité électromagnétique et la directive 2014/35/EU sur les limites de basse tension

Informations sur l'élimination

Déchets d'équipements électriques et électroniques



Ce symbole sur le produit indique que, conformément à la directive européenne 2012/19/UE régissant les déchets d'équipements électriques et électroniques, ce produit ne doit pas être jeté avec les autres déchets municipaux. Veuillez éliminer vos déchets d'équipement en les remettant à un point de collecte désigné pour le recyclage des déchets d'équipements électriques et électroniques. Pour éviter d'éventuels dommages à l'environnement ou à la santé humaine dus à une élimination incontrôlée des déchets, veuillez séparer ces articles des autres types de déchets et les recycler de manière responsable afin de promouvoir la réutilisation durable des ressources matérielles. Pour plus d'informations sur le recyclage de ce produit, veuillez contacter votre mairie ou votre service municipal d'élimination des déchets.

Important Safety Instructions

Before using this product, please read the user manual thoroughly to help protect against property damage and to ensure your personal safety and the safety of others.

Be sure to observe the following instructions.

For installation or adjustment, please follow the instructions in this manual and refer all servicing to qualified service personnel.

Usage Notice



Warning

To prevent the risk of fire or shock hazards, do not expose the product to moisture.



Warning

Please do not open or disassemble the product, as this may cause electric shock.



Warning

The AC power cord must be connected to an outlet with ground connection.

Precautions

Please follow all warnings, precautions and maintenance as recommended in this user's manual to maximize the life of your unit.

Do :

Disconnect the power plug from AC outlet if the product is not going to be used for an extended period of time.

Don't :

Do not operate the product under the following conditions:

Extremely hot, cold or humid environment.

Areas susceptible to excessive dust and dirt.

Near any appliance generating a strong magnetic field.

Avis d'utilisation



Mise en garde

Pour prévenir les risques d'incendie ou d'électrocution, ne pas exposer le produit à l'humidité.



Mise en garde

Prière de ne pas ouvrir ou démonter le produit, car cela pourrait entraîner l'électrocution.



Mise en garde

Le cordon d'alimentation doit être branché à une prise pourvue d'une mise à la terre.

Précautions

Veuillez suivre toutes les mises en garde, précautions et entretiens recommandés dans ce manuel d'utilisation pour maximiser la durée de vie de votre unité.

À faire :

Utiliser uniquement l'adaptateur d'alimentation prescrit pour votre appareil.

Débrancher l'appareil lorsqu'il n'est pas utilisé pendant une période prolongée.

À éviter :

Ne jamais utiliser l'appareil dans les conditions suivantes :

des conditions environnementales extrêmes (chaud, froid ou humidité)

des endroits remplis de poussières et de saletés.

à proximité d'appareils produisant un fort champ magnétique

Warnings

To turn off touch computer power, press the “Power” button on the right side on the back of the touch computer.

When the Power button is pressed, the main power of the touch computer is not turned off completely. To disconnect power completely, remove the power plug from the outlet.



If any of the following occur, remove the power plug from the outlet immediately: the touch computer is dropped; the housing is damaged; water is spilled onto, or objects dropped inside the touch computer.

Failure to immediately remove the power plug may result in fire or electrical shock. Contact qualified service personnel for inspection.



If the power cord or plug is damaged or becomes hot, turn the touch computer off, make sure the power plug has cooled down and remove the power plug from the outlet.

If the touch computer is still used in this condition, it may cause fire or electrical shock.



Si l'un des événements suivants se produit, débranchez immédiatement la fiche d'alimentation de la prise: le moniteur est tombé; le boîtier est endommagé; de l'eau est renversée ou des objets tombent à l'intérieur du moniteur.

Si vous ne débranchez pas immédiatement la fiche d'alimentation, vous risquez de provoquer un incendie ou un choc électrique. Contacter le personnel de service qualifié pour inspection.



Si le cordon d'alimentation ou la fiche est endommagé, ou devient chaud, éteignez le moniteur, assurez-vous que la fiche d'alimentation a refroidi et débranchez la fiche d'alimentation de la prise.

Si le moniteur est toujours utilisé dans cet état, il peut provoquer un incendie ou un choc électrique. Contactez votre revendeur pour le remplacement.

Installation Tips

Things to avoid

Don't install in a high-temperature environment. Operating temperature: 0°C to 40°C (0°F to 104°F), storage temperature -20°C - 60°C (-4°F to 140°F). If the touch computer is used in a high temperature environment or near any heat sources, the case and other parts may become distorted or damaged, resulting in overheating or electrical shock.

Don't install in a high-humidity environment.

Operating humidity: 20-90%

Don't insert the power plug into anything other than a grounded 100-240V AC outlet.

Don't use a damaged power plug or worn outlet.

The use of extension cords is not recommended.

The use of the power supply that comes with the MicroTouch product is strongly recommended.

Don't place the touch computer on an unstable shelf or surface.

Don't place objects on the touch computer.

If the touch computer is covered or the vents are blocked, the touch computer could overheat and cause a fire.

Please keep a 10 cm minimum distance between the touch computer and the surrounding structures to allow sufficient ventilation.

Don't move the touch computer when it is connected to the power cord. When moving the touch computer, make sure to remove the power plug and cables.

If you encounter a problem during installation, please contact your dealer for assistance. Do not attempt to repair or open the touch computer.

Product Overview

This desktop touch computer with Windows operating system is designed and developed to provide a flexible desktop touch computer solution with easily installed optional Camera and MSR accessories. Its versatility makes it an exceptional choice for applications in all business sectors, especially in the retail market.

Key Features

Processor: Core i5 7300U

Size: 21.5" TFT LCD

Resolution: 1920 x 1080

Contrast Ratio: 1000:1

Aspect Ratio: 16:9

Brightness: 225 cd/m²

View Angle: H:178°, V:178°

Video Output Port: 1 Mini DP

100 mm x 100 mm VESA mount

P-cap touch with up to 10 simultaneous touches


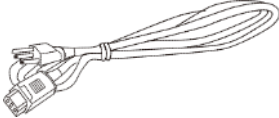
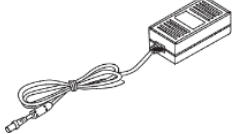
Plug and Play: no touch driver installation required

Warranty: 3 years

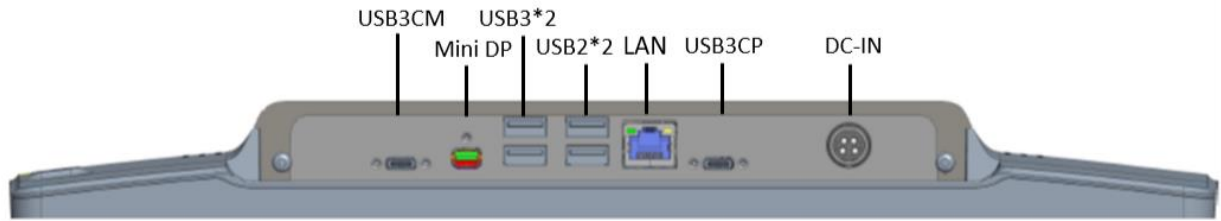
Unpacking

When unpacking please ensure that all the items in the following Accessories section are included. If any are missing or damaged, please contact the place of purchase for a replacement.

Package Contents

No.	Part	Picture	Qty
1	LCD Touch computer		1
2	AC Power Cord IEC C15/C16 (1.8 m)		1
3	AC-DC converter		1

Product Setup and Use

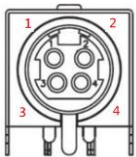


Input and Output Connectors

Power Connector

Power Input: 4-pin 24VDC power connector

24V DC in



Pin #	Signal Name	Pin #	Signal Name
1	24VDC	2	24VDC
3	GND	4	GND

NOTE: USE THE CORRECT POWER SUPPLY.

MicroTouch touch computer models IC-156P/215P-AW1 have similar power connectors, but they are 12 VDC. If you have a mix of different models, check the voltage rating on the power converter to ensure it is the correct voltage for the touch computer model.

Communications Ports

USB3CP: USB Type-C with 5V@3A output support

USB 2*2: Two type-A USB 2.0 communications ports

USB 3*2: Three type-A USB 3.0 communications ports

USB3CM: USB Type-C with DP ALT mode and 5V@3A / 12V@3A output support

Network Connection

LAN : RJ-45 Ethernet network connector (Supports 10/100/1000Mbps)

Video Output

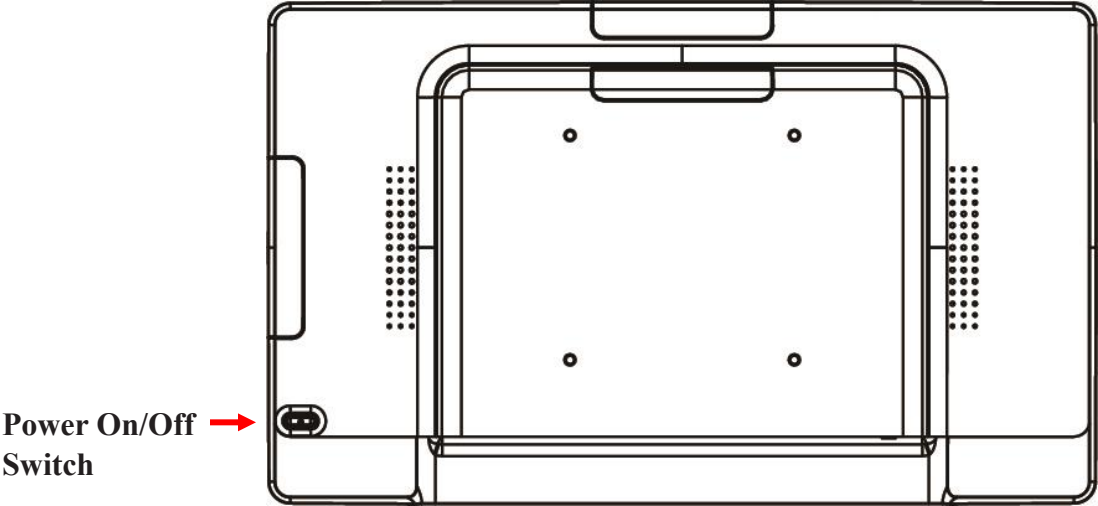
Mini DP: Miniature Display Port video output

Configuration and Cable Connections

Power is supplied by the included AC-to-DC power supply's fixed 12 volt DC cable connector. Align the key on the power adapter's DC connector with the key on the DC jack on the touch computer and push the connector in. Plug the AC power cable female connector into the receptacle on the power converter, then plug the male connector of the AC cable into a wall outlet.

Connect your network cable into the LAN connector. All other ports are optional outputs (communications ports are inputs/outputs).

Turning the Touch Computer On and Off



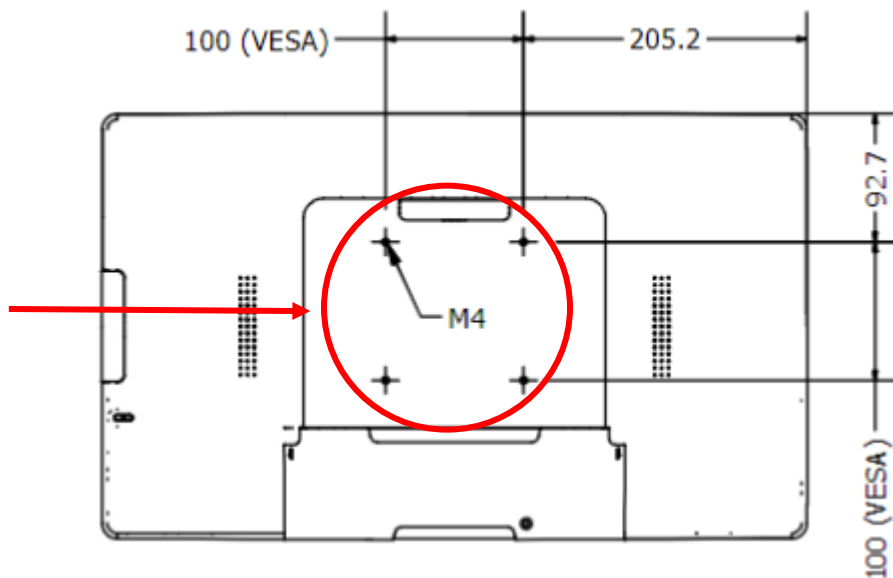
Function	Description
Power On	Press the Power button to power on
Sleep, Restart and Shutdown	Use the Window OS power controls to select
Forced power Off	Press and hold the Power button for 4 seconds to force power off (it is recommended to use the Windows Shutdown option)

Mounting options

The touch computer may be mounted to a stand, arm, or other device that has a 100mm x 100mm standard VESA mount hole pattern.

VESA Mount

The touch computer has an integral VESA standard mount pattern that conforms to the “VESA Flat Display Mounting Interface Standard” which defines a physical mounting interface and corresponds to the standards for touch computer mounting devices.



Warning

Please use the correct screws! The distance between the back cover surface and the bottom of the screw hole is 8 mm. Please use four M4 diameter screws with 8 mm length to mount the touch computer.

Mise en garde

Veillez utiliser les vis correcte! La distance entre la surface du capot arrière et le fond du trou de vis est de 8 mm. Veuillez utiliser quatre vis de diamètre M4 d'une longueur de 8 mm pour monter le moniteur.

Specifications and Dimensions

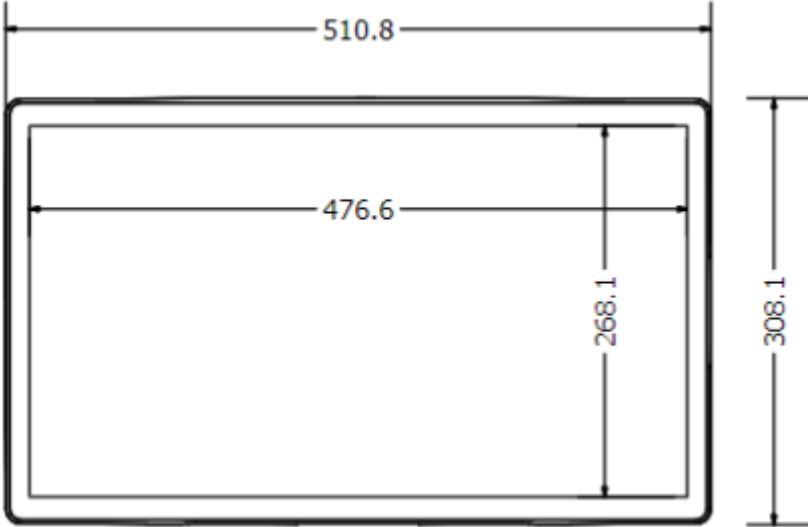
Specifications

Item	Category	Specifications
Operating System	Windows 10	
Processor	Core™ i5-7300U	2.60 GHz, 3M Cache
GPU	Intel® HD Graphic 620	
Memory	8GB	So-DIMM DDR4, 2133 MHz
Storage	128 GB	SSD
W-Fi	802.11	a/b/g/n/ac
Bluetooth	4.2	Supports BLE
LAN	1 x RJ45	Giga LAN
Communications Ports	2 x USB	2.0 Type A
	2 x USB	3.0 Type A
	1 USB Type-C	Supports Display ALT Mode and PD2.0 (5V/3A , 12V/2.5A output, maximum 30W)
LCD Panel	Size	21.5" TFT LCD
	Resolution	1920 x 1080
	Brightness (typical)	225 cd/m2
	Contrast Ratio (typical)	1000:1
	Number of Colors	16.7 million
	Viewing Angle (typical)	Horizontal: 178 degrees; Vertical: 178 degrees
Touch Screen	Touch Type	P-CAP
	Simultaneous touch points	Up to 10
Video Output	Type	Mini DP digital
Power	AC Adapter Input	AC 100V - 240V (50/60Hz), 120W max
	AC Adapter Output	24VDC, 5A max

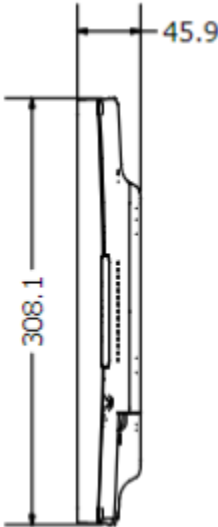
Speakers	2 x 2W	
Size and Weight	Dimensions (W x H x D) Without stand	510.8 mm x 308.1 x 45.9 mm 14.53 in x 12.13 in x 1.81 in
	Dimensions (W x H x D) With IS-215-A1 Stand	510.96 mm x 322.28 x 172.98 mm 20.12 in x 12.69 in x 6.81 in
	Net Weight	6.77 kg without stand, 9.34 kg with SS-215-A1 stand 14.93 lb without stand, 20.59 lb with SS-215-A1 stand
	VESA Mount	100 mm x 100 mm
Environment	Compliance	CE, FCC, LVD, RoHS
	Operating Temperature	0°C - 40°C
	Storage Temperature	-20°C - 60°C
	Operating Humidity	20% - 90% RH, non-condensing

Dimensions (without stand)

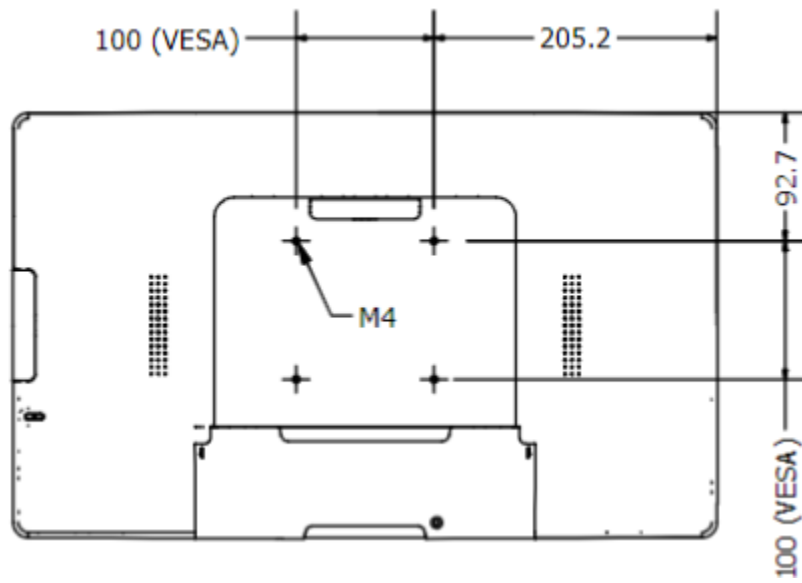
Front view



Side View



Rear View

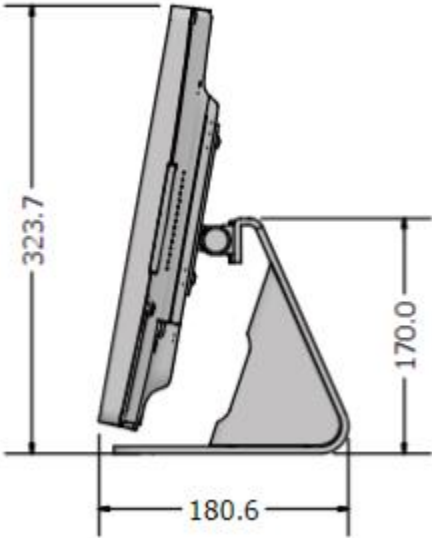


Dimensions (with SS-215-A1 stand)

Front view



Side View



Optional Accessory Installation

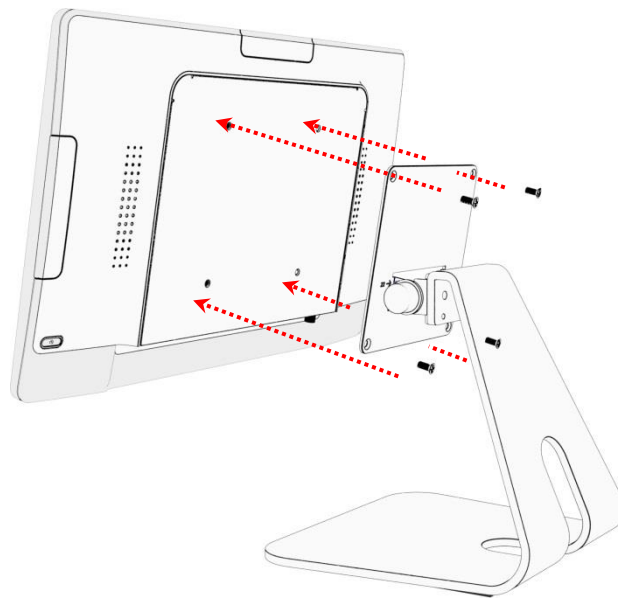
Note: Power the touch computer down before installing/ removing accessories.

Installing the Optional Stand

Step 1: Place the touch computer face down on a clean padded surface.

Step 2: Place the stand on the VESA mount and align the screw holes.

Step 3: Install the four M4 screws to secure the stand to the touch computer.

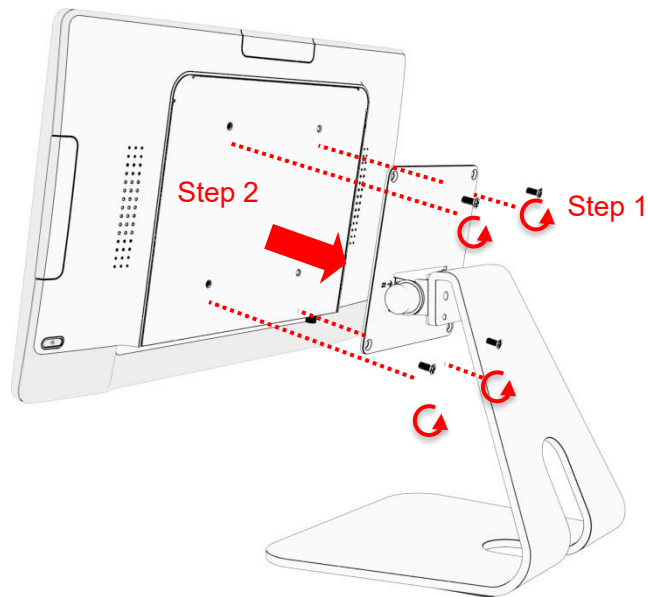


Removing the Optional Stand

Step 1: Place the touch computer face down on a clean padded surface.

Step 2: Loosen the four screws

Step 2: Pull the stand away from touch computer and remove.

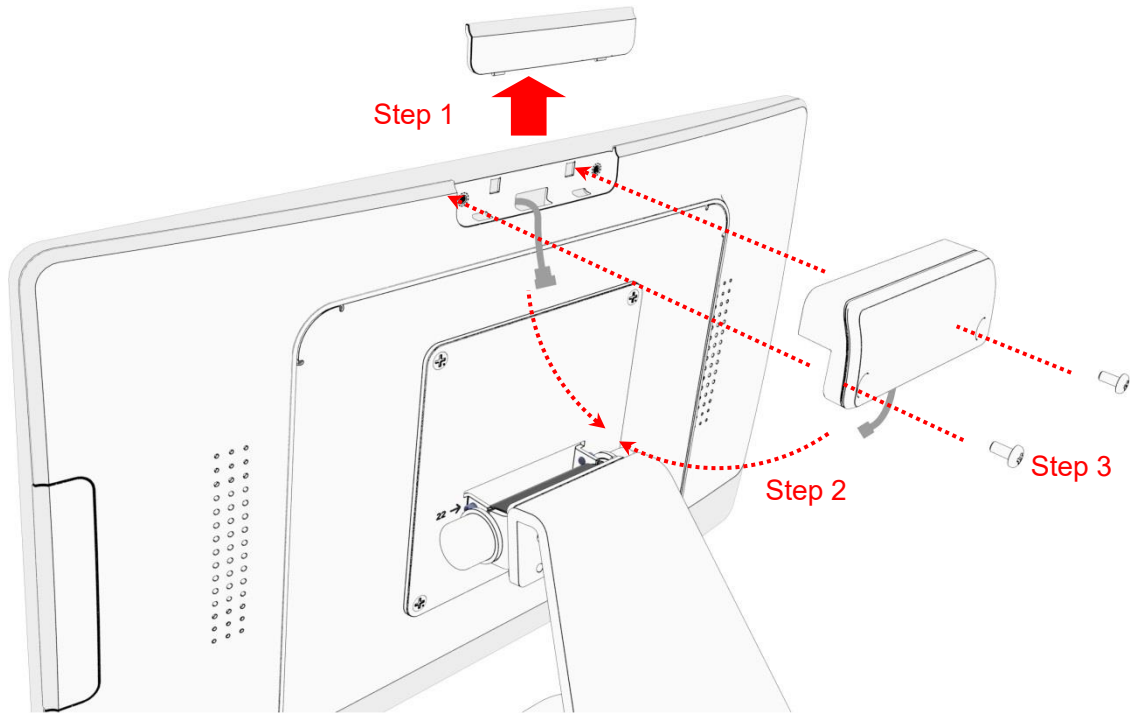


Installing the Camera

Step 1: Pull the accessory port cover upward to remove it.

Step 2: Connect the camera cable to the touch computer's accessory cable. Important: Do not force - Be sure to properly align the polarity keys in the two connectors. The cable colors will also match from cable to cable.

Step 3: Install the two M3 screws to secure the camera.

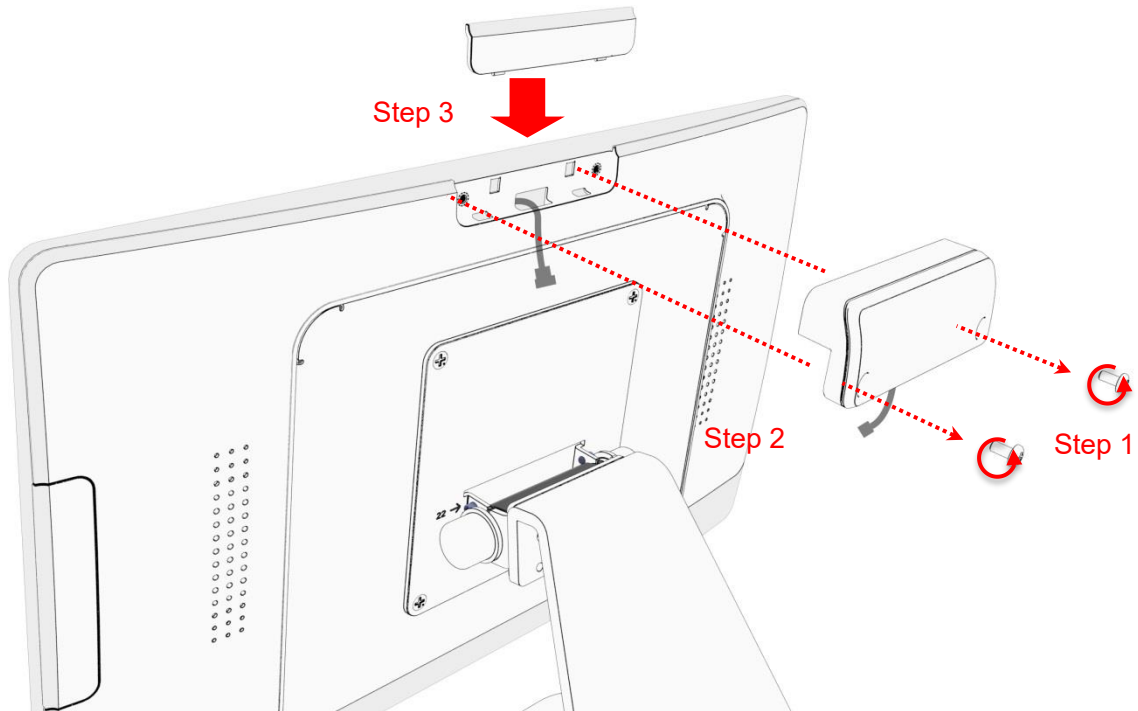


Removing the Camera

Step 1: Remove the two M3 screws.

Step 2: Disconnect the camera cable from the touch computer.

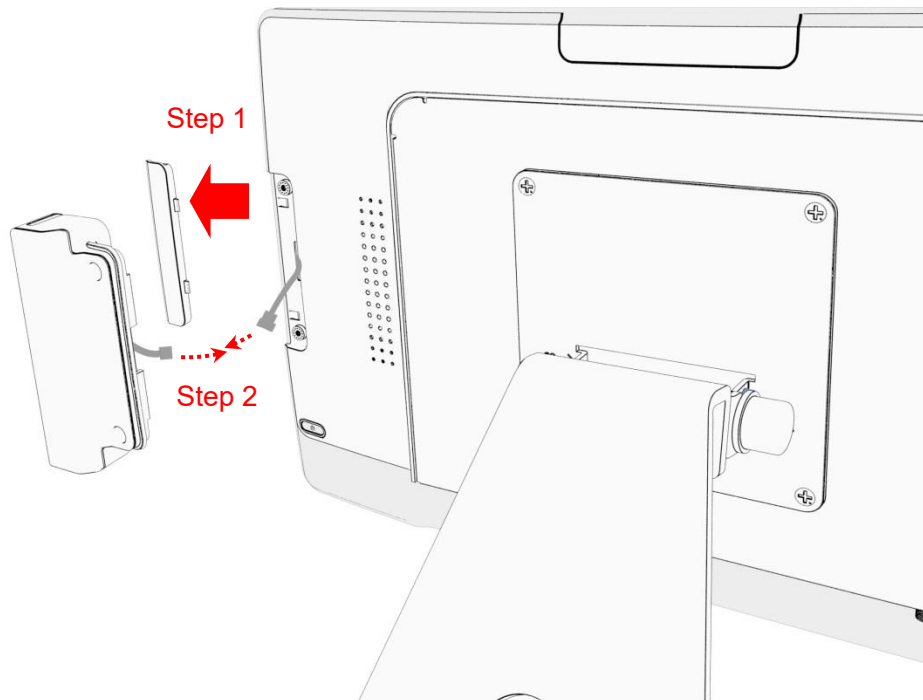
Step 3: Reinstall the accessory port cover.



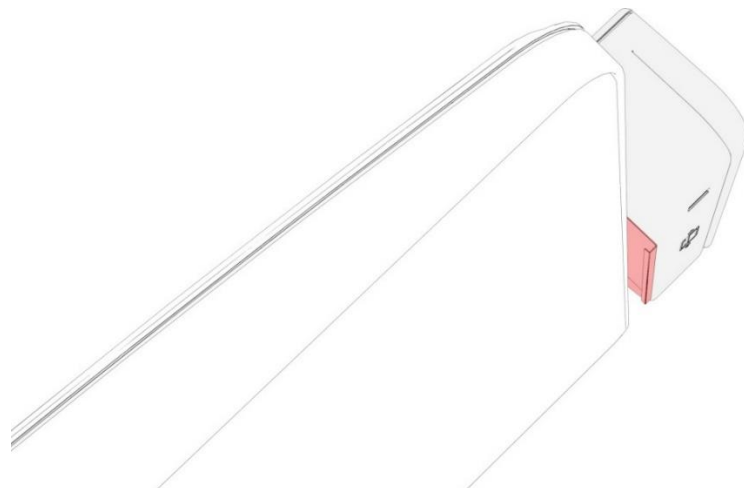
Installing the MSR

Step 1: Pull the accessory port cover away from the touch computer to remove it.

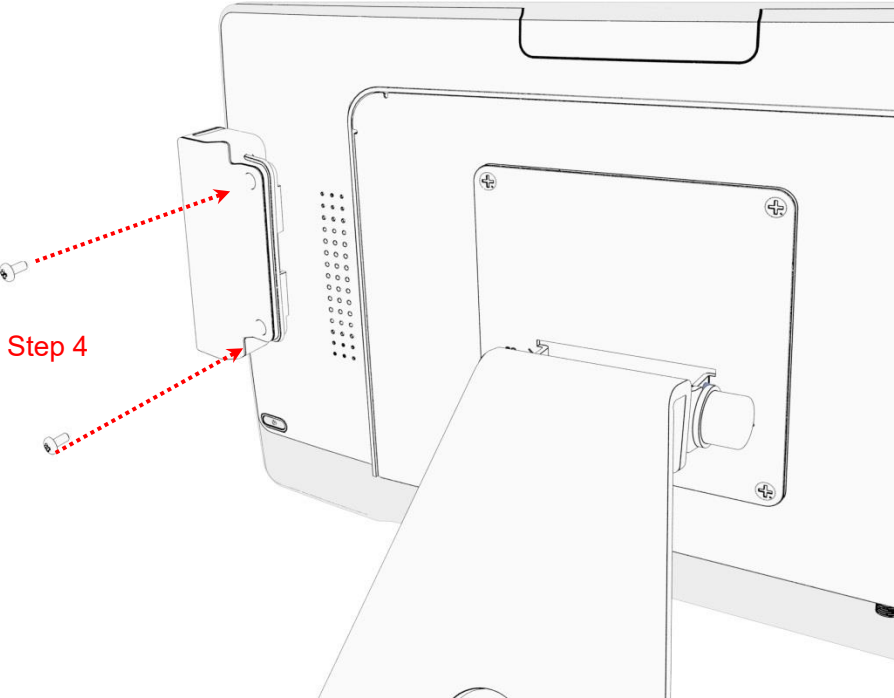
Step 2: Connect the MSR cable to the touch computer accessory cable. Important: Do not force - Be sure to properly align the polarity keys in the two connectors. The cable colors will also match from cable to cable.



Step 3: The metal bracket hooks into the gap between cover glass and bezel.

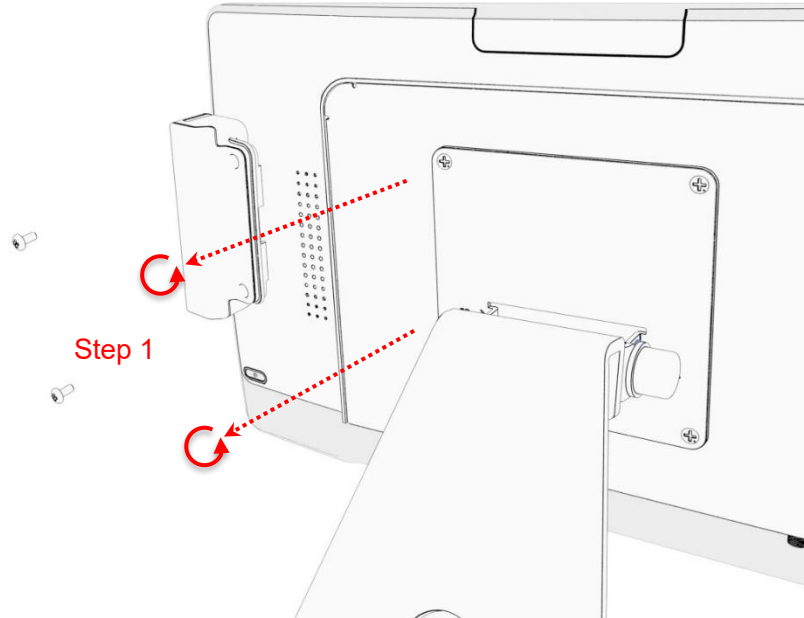


Step 4: Install the two M3 screws to secure the MSR.

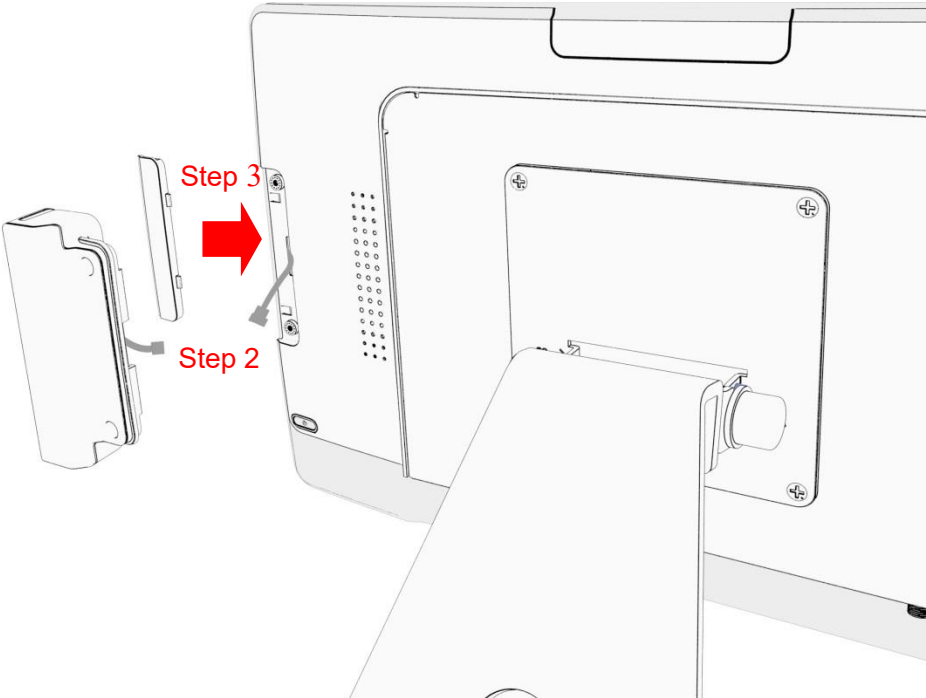


Removing the MSR

Step 1: Loosen the screws.



Step 2: Disconnect the MSR cable from the touch computer and pull the metal bracket free of the slot.
Step 3: Reinstall the accessory port cover.



Appendix

Cleaning

Turn off the product and disconnect from AC power before cleaning. Turning the product off protects against accidental touch selections that could cause problems or hazardous results. Disconnecting power protects against hazardous interaction between accidental liquid entry and electricity.

To clean the case, dampen a clean cloth lightly with water and a mild detergent and wipe gently. Use a soft, dry cloth to clean areas that have ventilation openings to avoid getting any liquid or moisture inside. If liquid does get inside, do not use the product until it has been inspected and tested by a qualified service technician.

To clean the touch screen, apply a glass cleaning solution to a soft cloth and wipe the screen clean. To ensure that liquid does not enter the product, do not spray cleaning solution directly onto the touch screen or any other part.

Do not use volatile solvents, waxes or any abrasive cleaners on any part of the product.

Solutions to Common Problems

Touch functionality doesn't work or works incorrectly.

Completely remove any protective sheets from the touch screen, then cycle power Off/On.

Ensure that the touch computer is in an upright position with nothing touching the screen, then cycle power Off/On.

Warranty Information

Except as otherwise stated herein, or in an order acknowledgment delivered to Buyer, Seller warrants to Buyer that the Product shall be free of defects in materials and workmanship. The warranty for the touch computer and its components is three years. Seller makes no warranty regarding the model life of components. Seller's suppliers may at any time and from time to time make changes in the components delivered as Products or components. Buyer shall notify Seller in writing promptly (and in no case later than 30 days after discovery) of the failure of any Product to conform to the warranty set forth above; shall describe in commercially reasonable detail in such notice the symptoms associated with such failure; and shall provide to Seller the opportunity to inspect such Products as installed, if possible. The notice must be received by Seller during the Warranty Period for such product, unless otherwise directed in writing by the Seller. Within thirty days after submitting such notice, Buyer shall package the allegedly defective Product in its original shipping carton(s) or a functional equivalent and shall ship to Seller at Buyer's expense and risk. Within a reasonable time after receipt of the allegedly defective Product and verification by Seller that the Product fails to meet the warranty set forth above, Seller shall correct such failure by, at Seller's options, either (i) modifying or repairing the Product or (ii) replacing the Product. Such modification, repair, or replacement and the return shipment of the Product with minimum insurance to Buyer shall be at Seller's expense. Buyer shall bear the risk of loss or damage in transit and may insure the Product. Buyer shall reimburse Seller for transportation cost incurred for Product returned but not found by Seller to be defective. Modification or repair, of Products may, at Seller's option, take place either at Seller's facilities or at Buyer's premises. If Seller is unable to modify, repair, or replace a Product to conform to the warranty set forth above, then Seller shall, at Seller's option, either refund to Buyer or credit to Buyer's account the purchase price of the Product less depreciation calculated on a straight-line basis over Seller's stated Warranty Period. These remedies shall be the buyer's exclusive remedies for breach of warranty. Except for the express warranty set forth above, seller grants no other warranties, express or implied by statute or otherwise, regarding the products, their fitness for any purpose, their quality, their merchantability, their non-infringement, or otherwise. No employee of Seller or any other party is authorized to make any warranty for the goods other than the warranty set forth herein. Seller's liability under the warranty shall be limited to a refund of the purchase price of the product. In no event shall Seller be liable for the cost of procurement or installation of substitute goods by Buyer or for any special, consequential, indirect, or incidental damages. Buyer assumes the risk and agrees to indemnify Seller against and hold Seller harmless from all liability relating to (i) assessing the suitability for Buyer's intended use of the Products and of any system design or drawing and (ii) determining the compliance of Buyer's use of the Products with applicable laws, regulations, codes, and standards. Buyer retains and accepts full responsibility for all warranty and other claims relating to or arising from Buyer's products, which include or incorporate Products or components manufactured or supplied by Seller. Buyer is solely responsible for any and all representations and warranties regarding the Products made or authorized by Buyer. Buyer will indemnify Seller and hold Seller harmless from any liability, claims, loss, cost, or expenses (including reasonable attorney's fees) attributable to Buyer's products or representations or warranties concerning same.

RoHS Declaration

Equipment name : Touch LCD Touch computer Type designation (Type) : IC-215P-AW2-W10						
Component	Restricted substances and their chemical symbols					
	Lead (Pb)	Mercury (Hg)	Cadmium (Cd)	Hexavalent chromium (Cr ⁺⁶)	Polybrominated biphenyls (PBB)	Polybrominated diphenyl ethers (PBDE)
Plastic Parts	○	○	○	○	○	○
Metal Parts	-	○	○	○	○	○
Cable components	-	○	○	○	○	○
LCD Panel	-	○	○	○	○	○
Touch Panel	-	○	○	○	○	○
PCBA	-	○	○	○	○	○
Software	○	○	○	○	○	○
Notes						
<p>“○” indicates that the percentage of the restricted substance does not exceed the permissible limit.</p> <p>“-” indicates that the restricted substance is exempt.</p>						



www.MicroTouch.com | www.usorders@microtouch.com
TES AMERICA LLC | 215 Central Avenue, Holland, MI 49423 | (616) 786-5353

The information presented in this user manual is intended as general information about MicroTouch products and is subject to change. Product specifications and warranties will be governed by TES America, LLC. Standard terms and conditions of sale. Products are subject to availability. Copyright © 2022 TES America, LLC. All rights reserved. Android is a trademark of Google LLC. Windows is a trademark of Microsoft Corporation in the United States and other countries.

