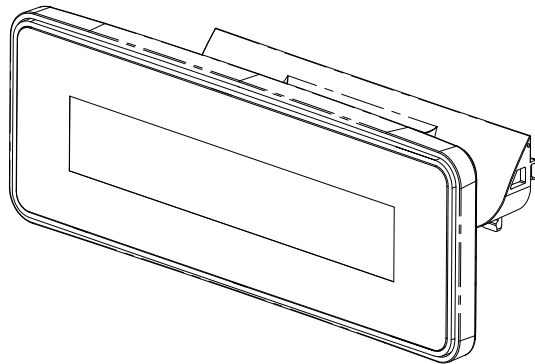
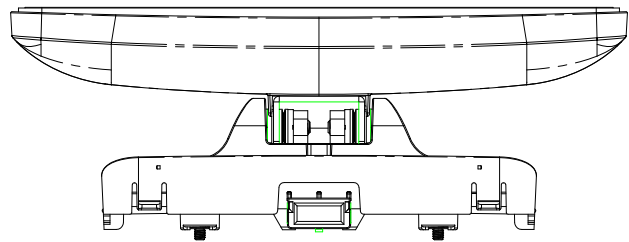
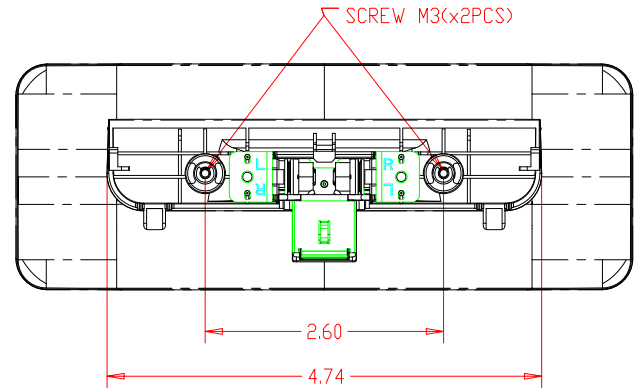
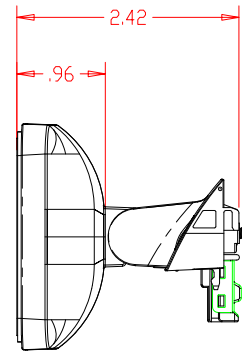
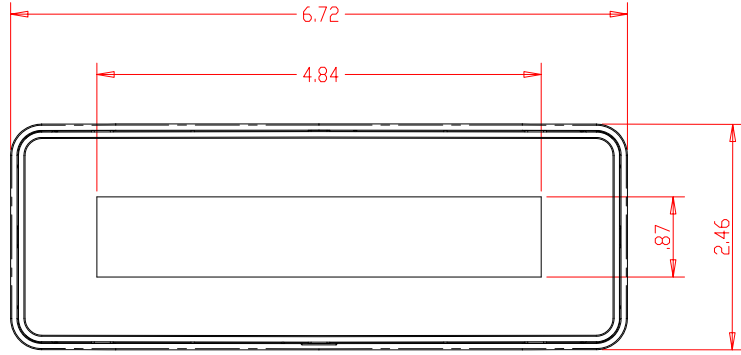
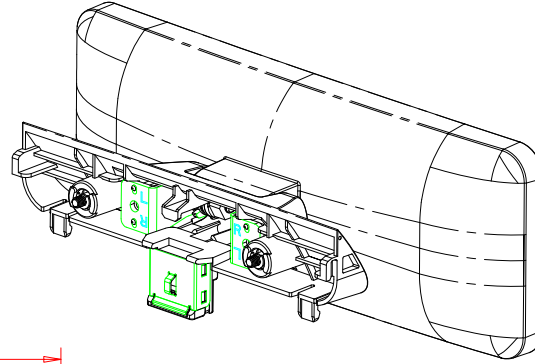
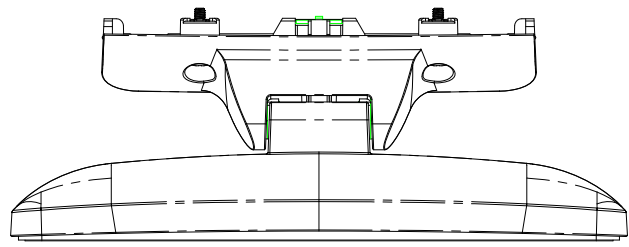


A | B | C | D | E | F | G | H | I | J | K | L | M | N

REVISIONS				
ECN	REV.	DESCRIPTION	DATE	APPROVED



				TES CONFIDENTIAL	
ITEM	NEXT ASSY	USED IN	UNLESS OTHERWISE SPECIFIED DIMENSIONS ARE IN INCHES DECIMALS TO 24 ±	THIS DRAWING/SPECIFICATION IS THE PROPERTY OF TES CORPORATION ALL RIGHTS RESERVED	
APPLICATION			METRIC SEE TABLE	APPROVALS	DATE
THIRD ANGLE PROJECTION			MATERIAL	DRAWN	Feb-20-21
			COLOR	CHECKED	
			ISSUED		
			DO NOT SCALE DRAWING		
				PART NAME	
				LCM-150-A1	
				SIZE	DWG. NO.
				F81574016KIT	
				SCALE	REV.
				SHEET 1 OF 1	