



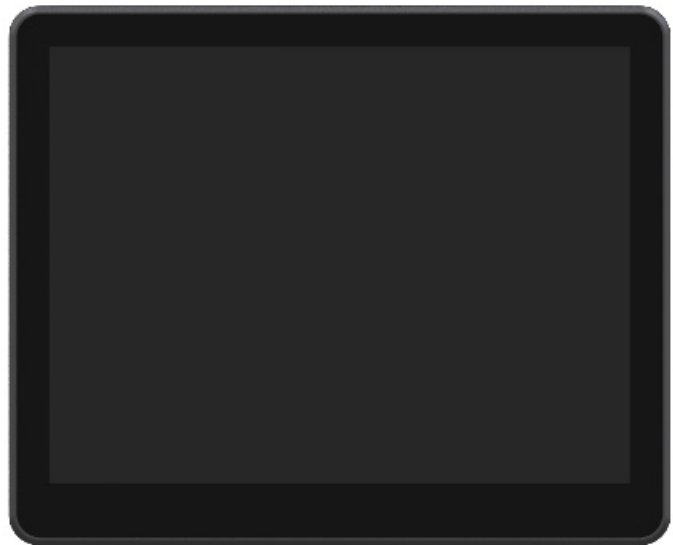
Get in touch with MicroTouch.

SLIMLINE KIOSK SERIES

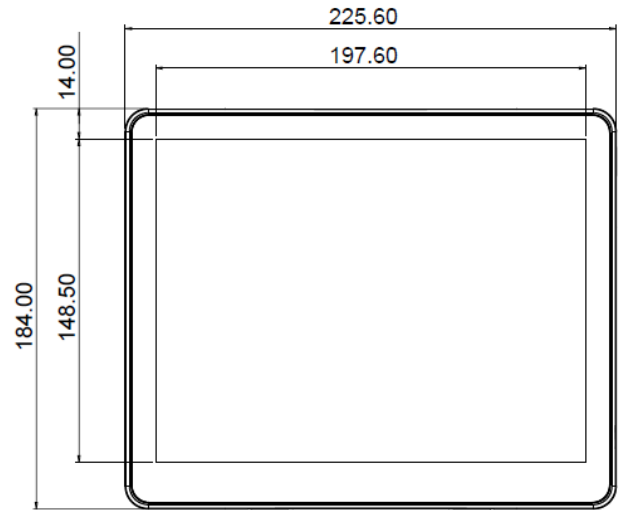
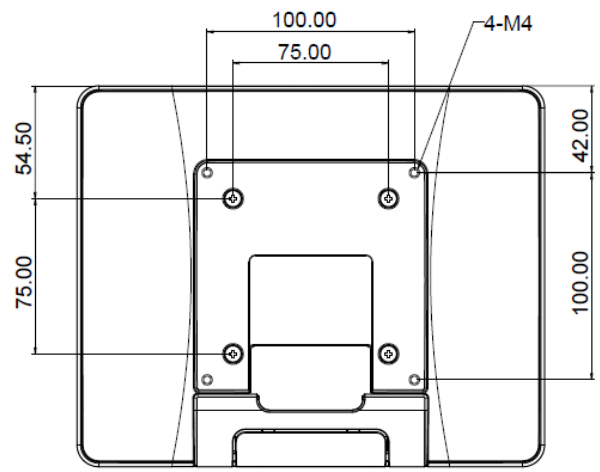
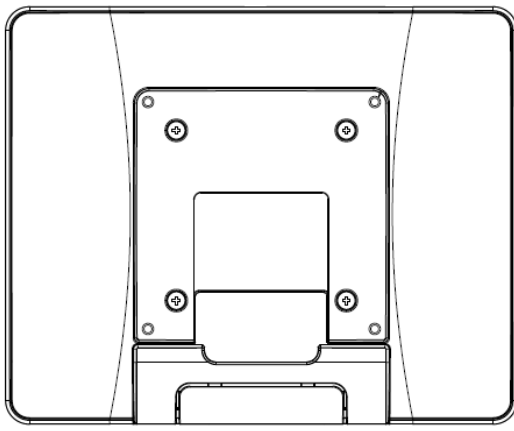
MODEL NUMBER

SK-097P-A2

9.7" PCAP
USB 3.1 Type C
IP54 Rated
10 Point Touch



CEFC



SPECIFICATIONS

Size	9.7" TFT LCD
Maximum Resolution	1024 x 768
Aspect Ratio	4:3
Contrast Ratio	900:1
Brightness	350 nits (No Touch), 315 nits (P-CAP)
View Angle	H:178°, V:178°
Touch LCD Display	
Touch Screen	Projected Capacitive
Touch Points	10
Touch Screen Interface	USB-C
I/O Ports	
USB/Video/Power	USB 3.1 Type C x 1 (support PD3.0, DP ALT mode)
Physical Properties	
Power Supply	Type-C 12V / 36W
Speaker	-
Housing Color	Black
Construction	Aluminum Die-casting, Plastic (ABS), Glass, SECC Metal
Compliance	IP54 Compliant, Rear IPX1
Dimensions (W x H x D) mm	225.6 x 184.0 x 36.6 mm
Net Weight (kg)	870g
Gross Weight (kg)	1.14 kg
Carton (W x H x D) mm	310 x 255 x 87mm
VESA	100 x 100 mm, 75 x 75 mm
Ball Drop	-
Safety	
Certifications	CE, FCC
Environment	
Operating Temperature	0°C ~ 40°C, 20% ~ 80% RH. Non-Condensing
Storage Temperature	-20°C ~ 60°C, 10% ~ 90% RH. Non-Condensing
Optional Peripheral	
N/A	



The information presented in this specification sheet is intended as general information about MicroTouch™ products and is subject to change. Product specifications and warranties will be governed by MicroTouch™ standard terms and conditions of sale. Products are subject to availability.
 MicroTouch™ Copyright © 2020 MicroTouch™ All rights reserved.

www.MicroTouch.com us.orders@microtouch.com