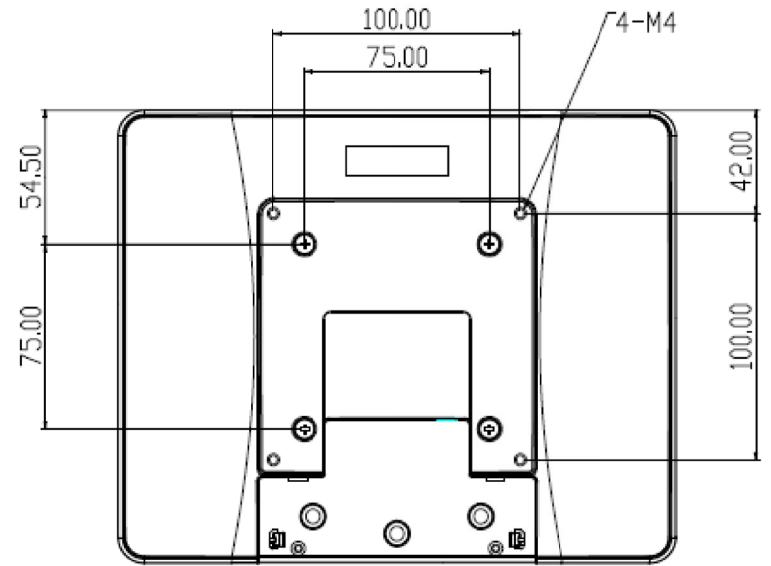
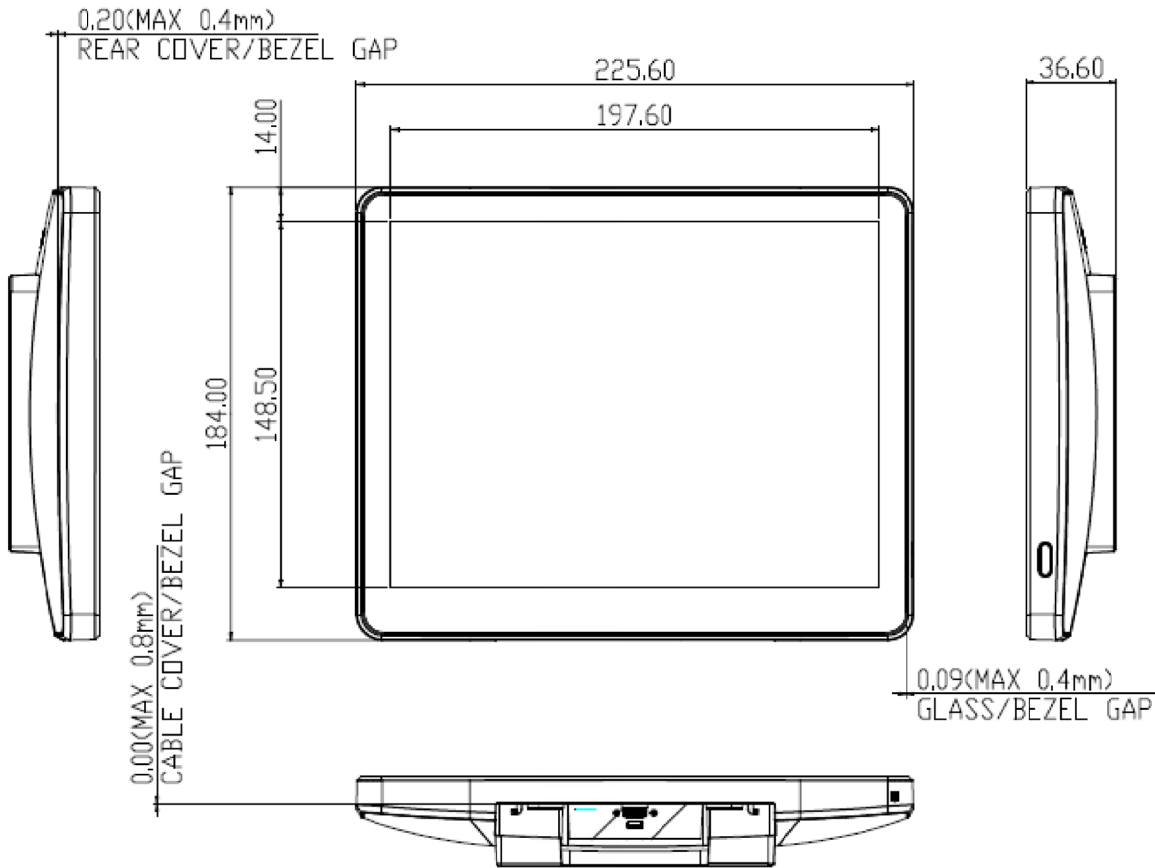


A | B | C | D | E | F | G | H | I

REVISIONS				
ECN	REV.	DESCRIPTION	DATE	APPROVED



ACAD FILE			UNLESS OTHERWISE SPECIFIED THIS DRAWING(SPECIFICATION) IS THE PROPERTY OF TES CORPORATION ALL RIGHTS RESERVED		CONFIDENTIAL	
ITEM	NEXT ASSY	USED ON	INCHES DECIMALS	METRIC SEE TABLE	APPROVALS	DATE
					DRAWN: Grant	07-05-16
APPLICATION			ANGLE:	CHECKED:	PART NAME	
			MATERIAL	COLOR	SK-097P-A1	
			DO NOT SCALE DRAWING	ISSUED:	SIZE	DWG. NO.
					SCALE	DRAWING SCALE
					SHEET	1 OF 1
					REV	A

