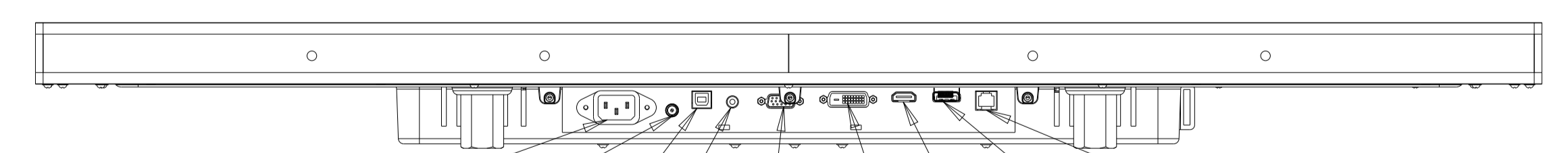
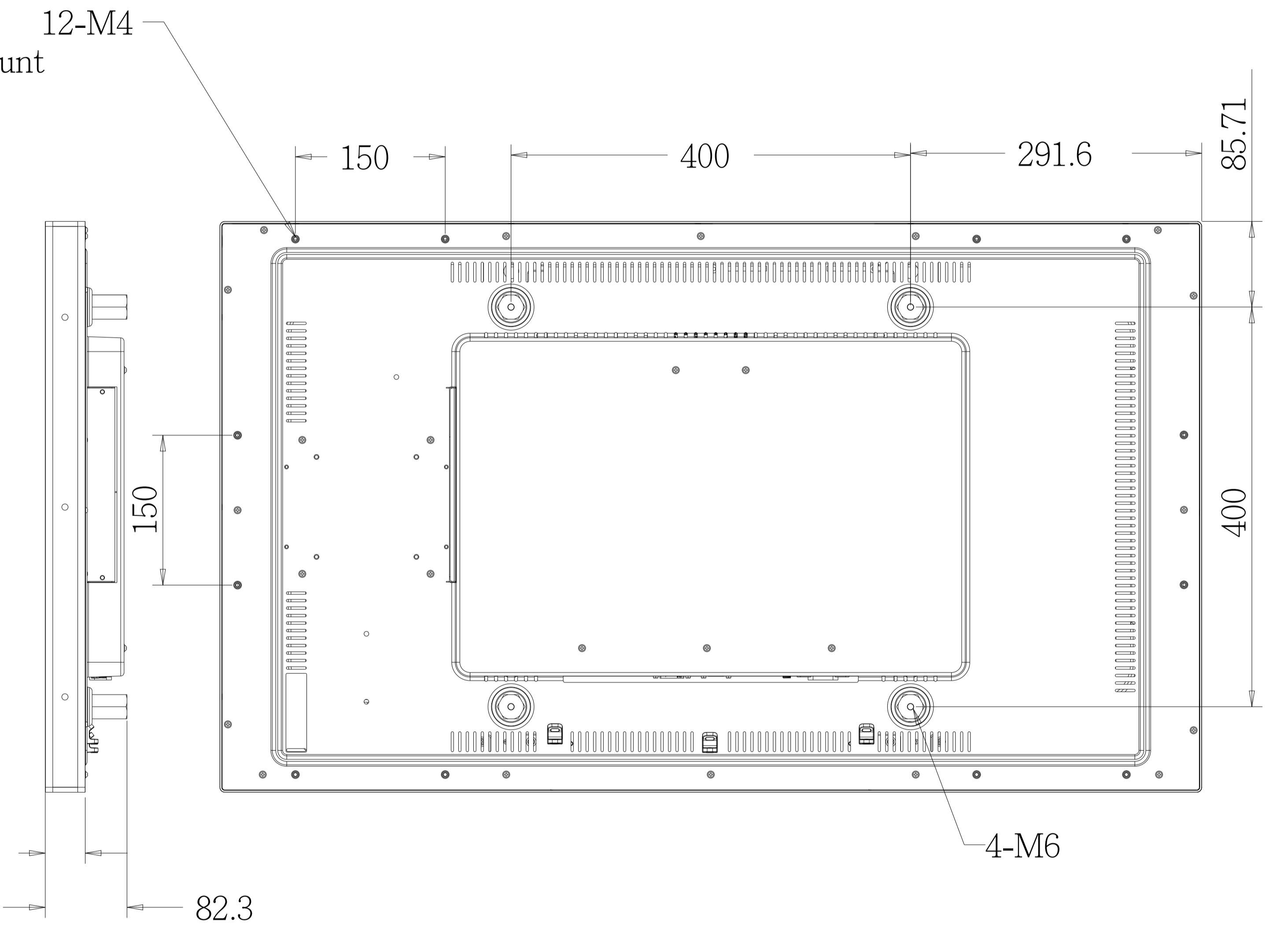
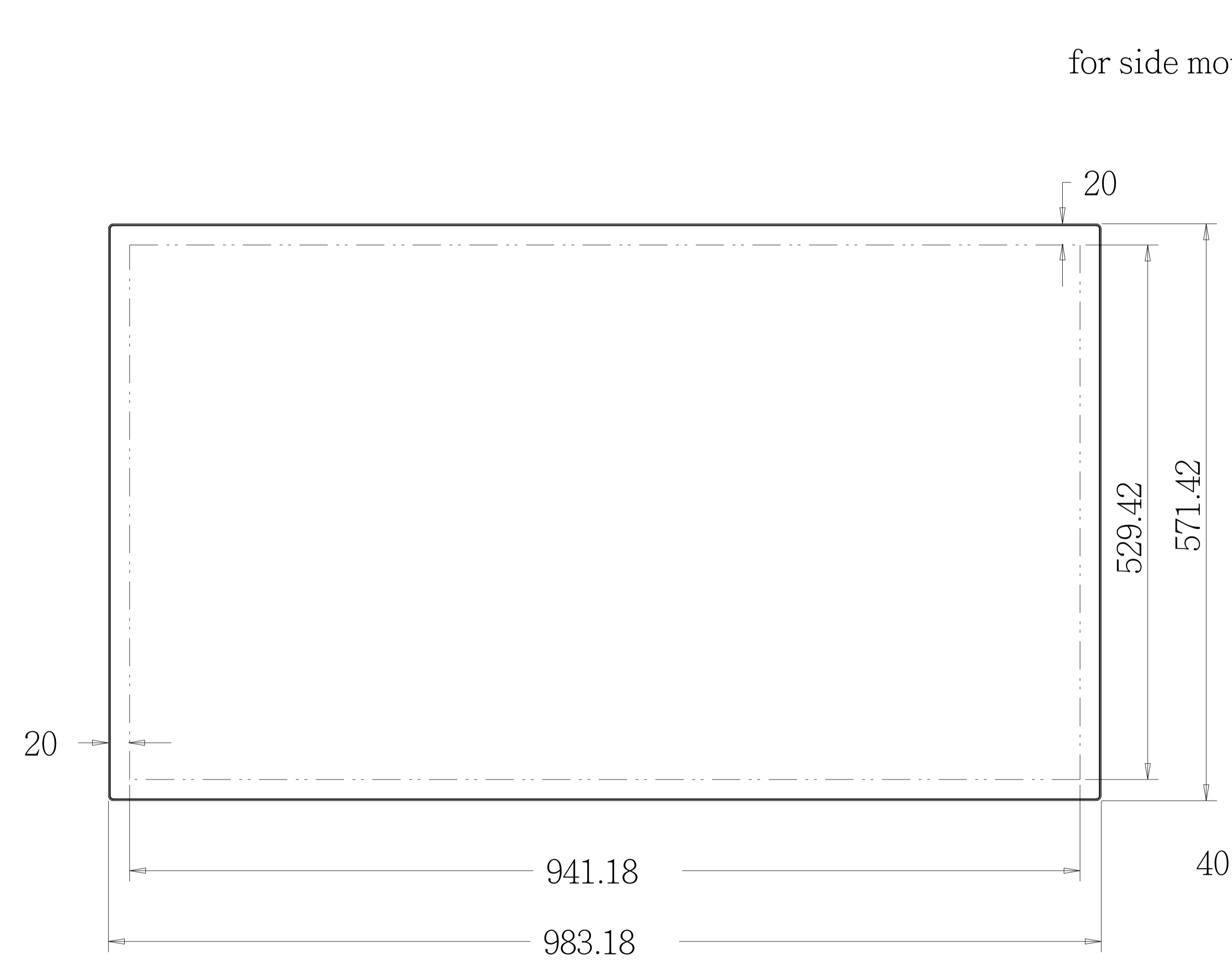
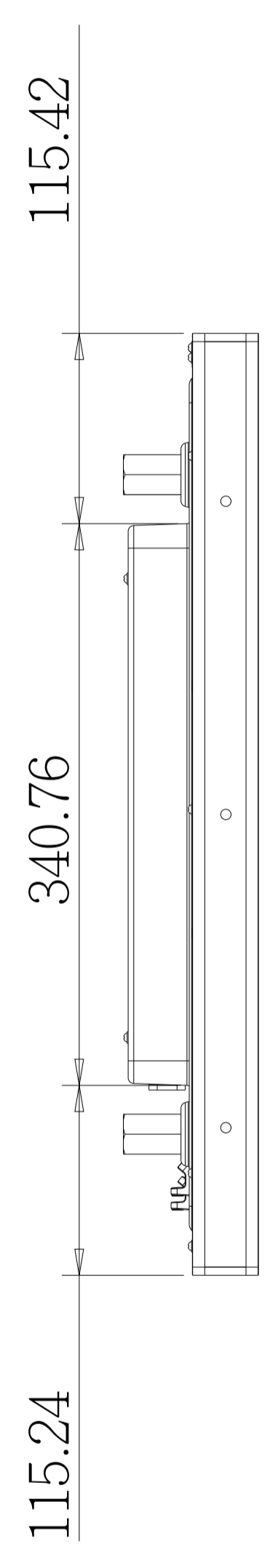
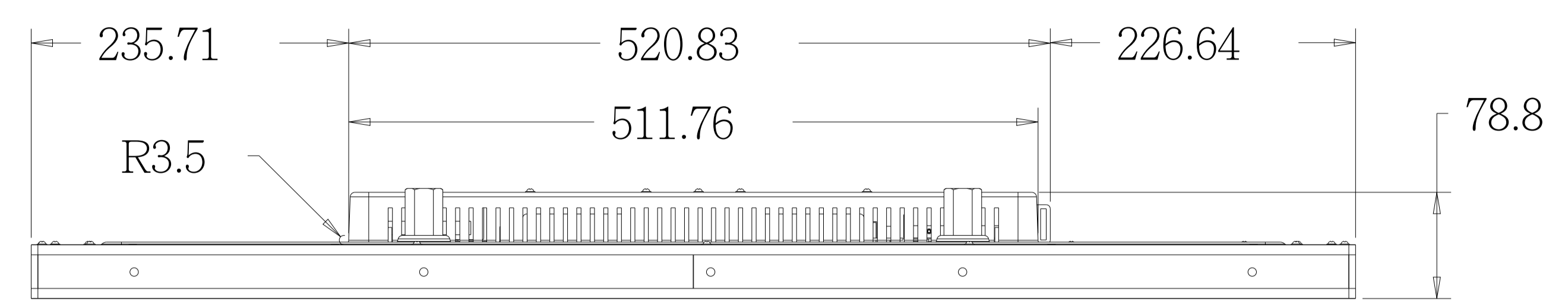


REVISIONS				
ECN	REV.	DESCRIPTION	DATE	APPROVED



- AC-IN
- 5V DC-OUT
- AUDIO-IN
- USB-B
- VGA
- DVI
- HDMI
- DP
- RJ11

								CONFIDENTIAL	
ITEM	NEXT ASSY	USED ON	UNLESS OTHERWISE SPECIFIED DIMENSIONS ARE IN: INCHES DECIMALS & FRACTIONS	SEE TABLE	APPROVALS	DATE	PART NAME DS-430P-A1		
THIRD ANGLE PROJECTION			ANGLES:	CHECKED	Jun-28-18		SIZE A1	DWG. NO.	REV.
			MATERIAL	COLOR	ISSUED		SCALE 0.111	SECT 1	1
			DO NOT SCALE DRAWING						