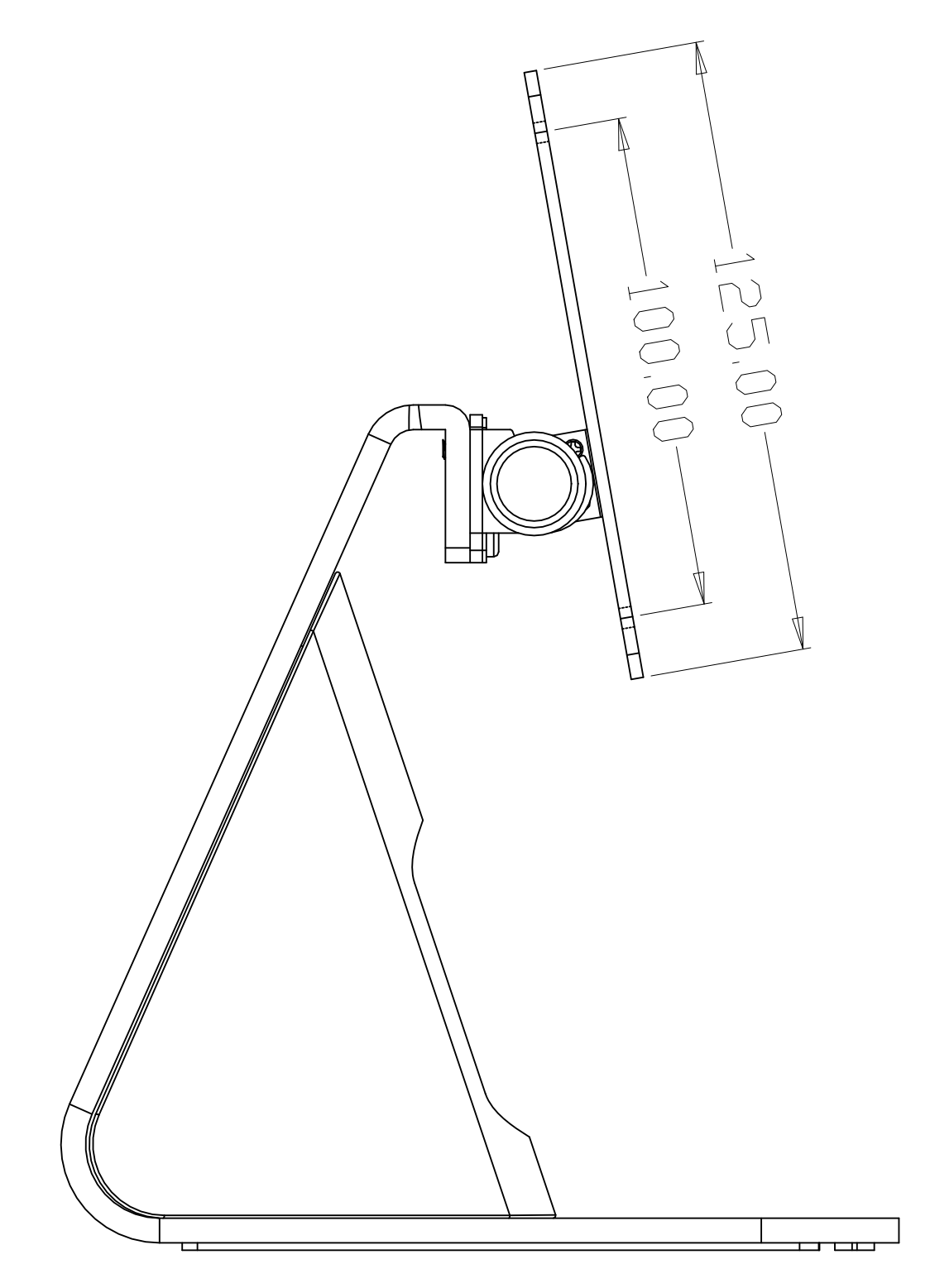
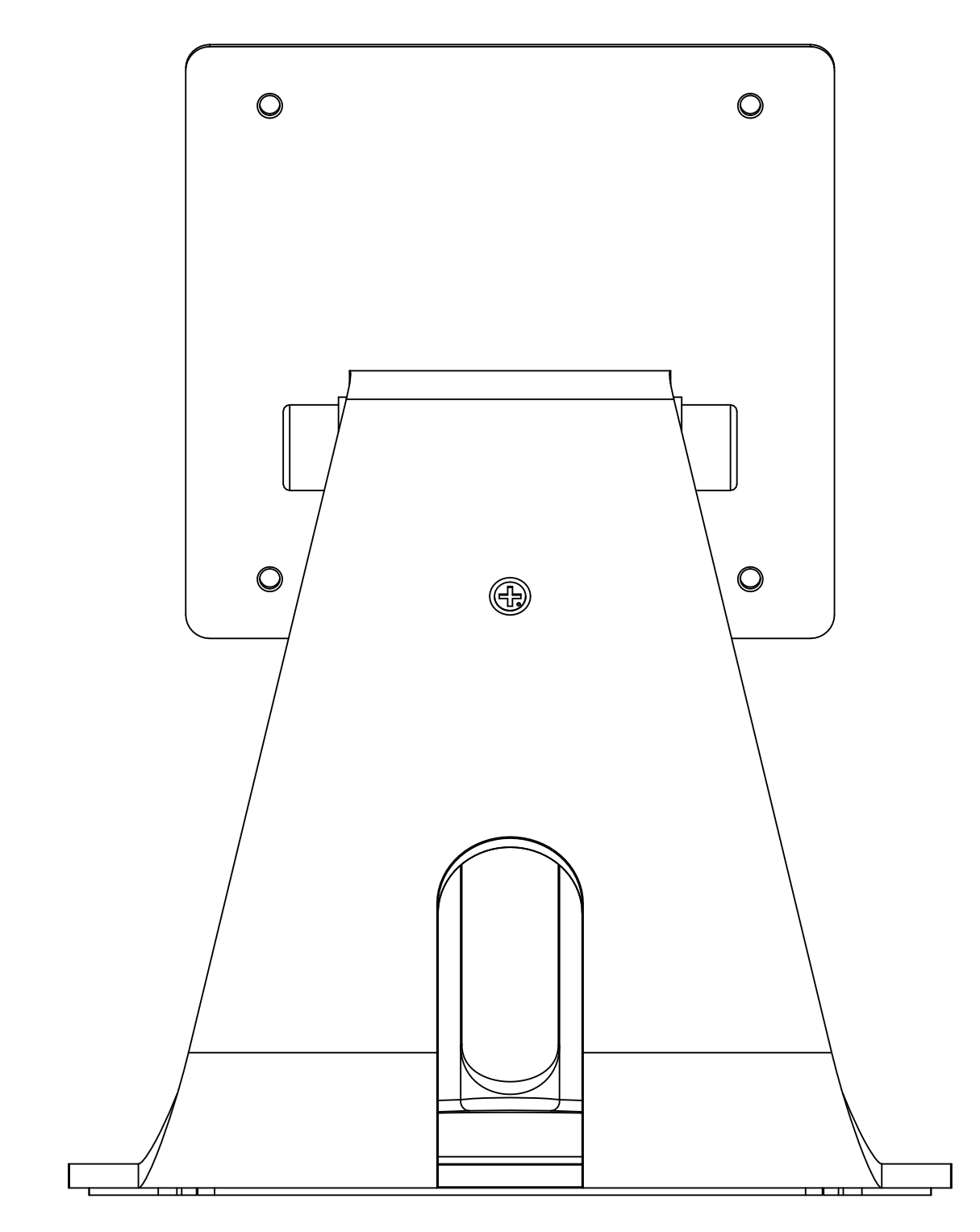
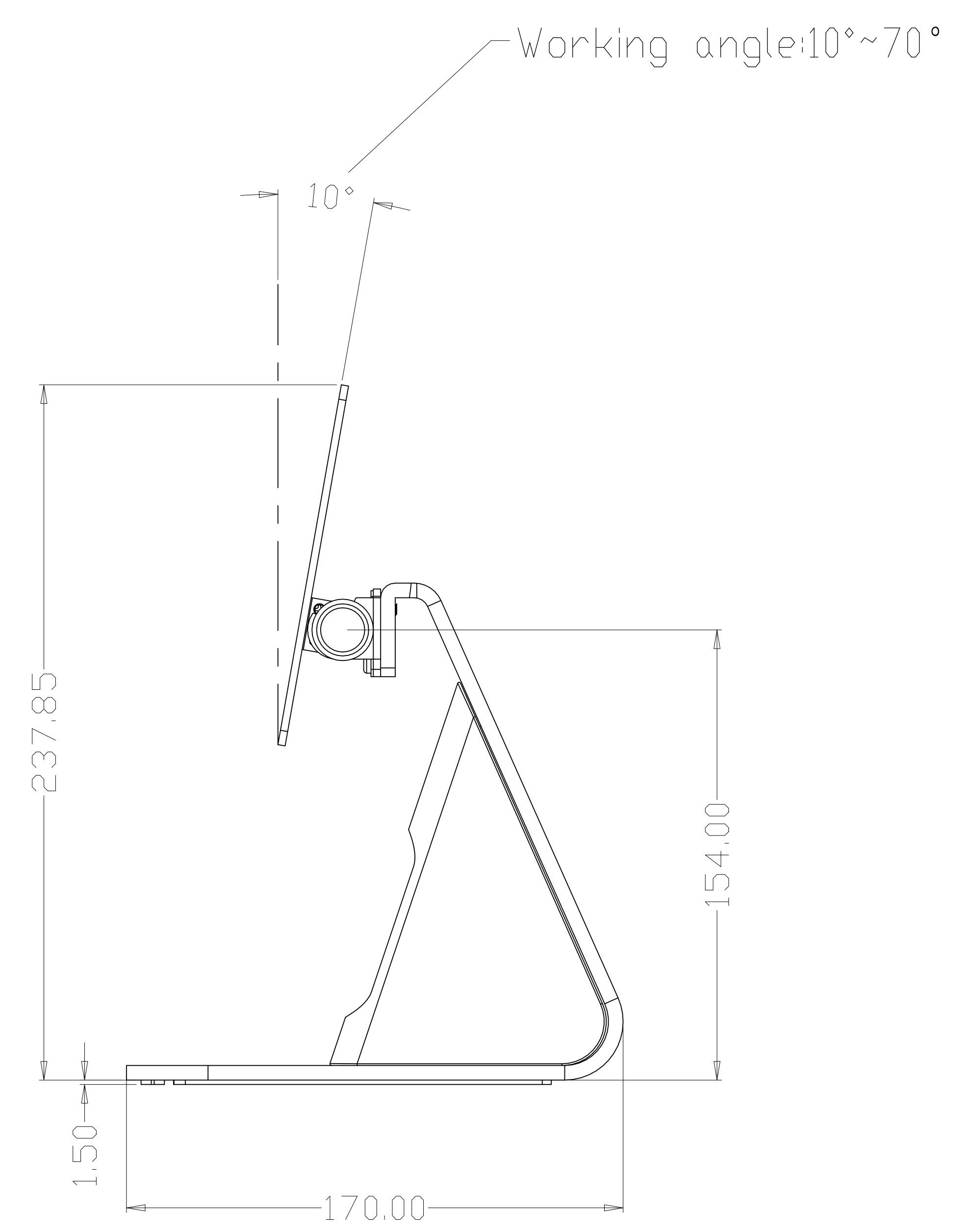
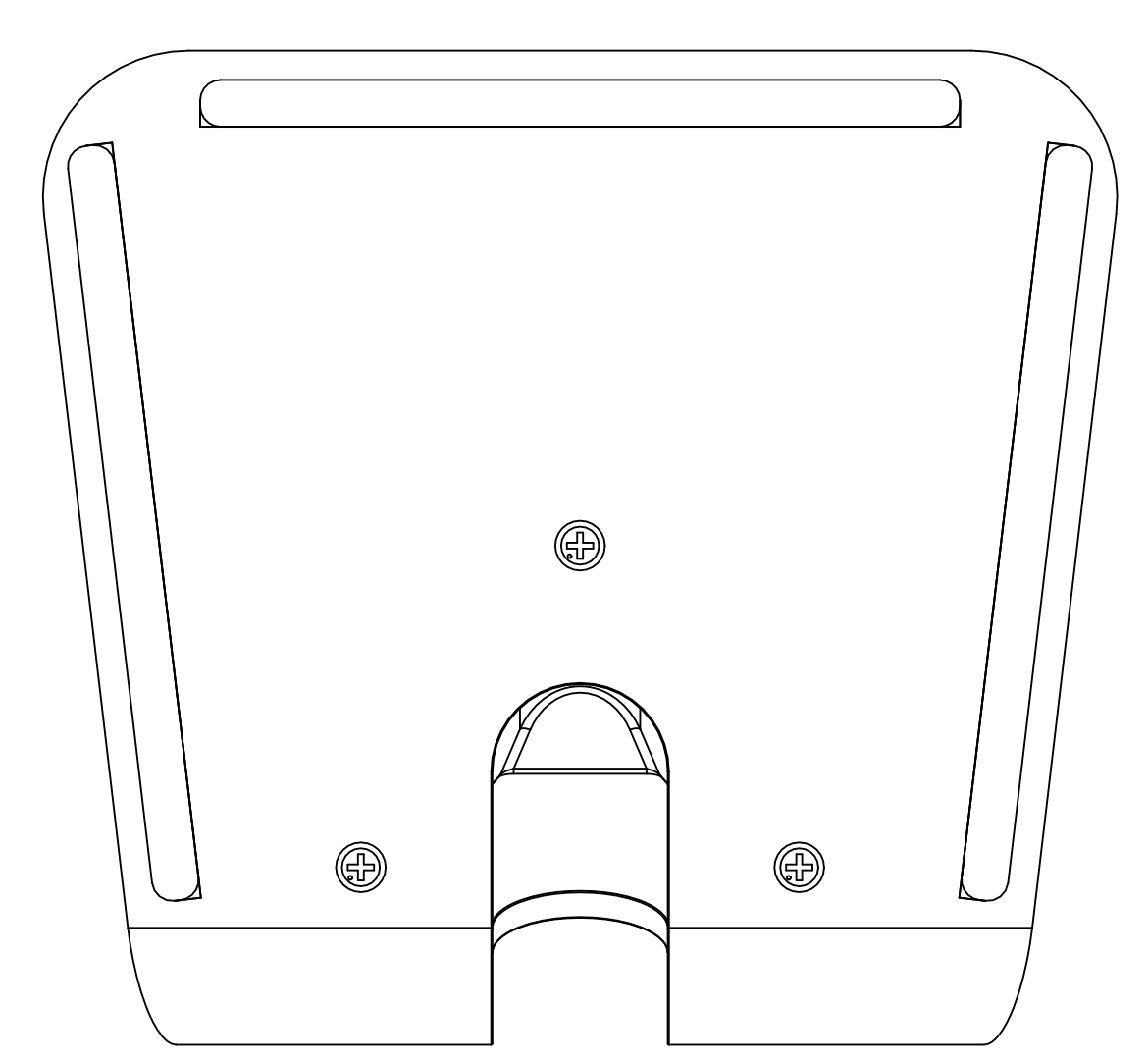
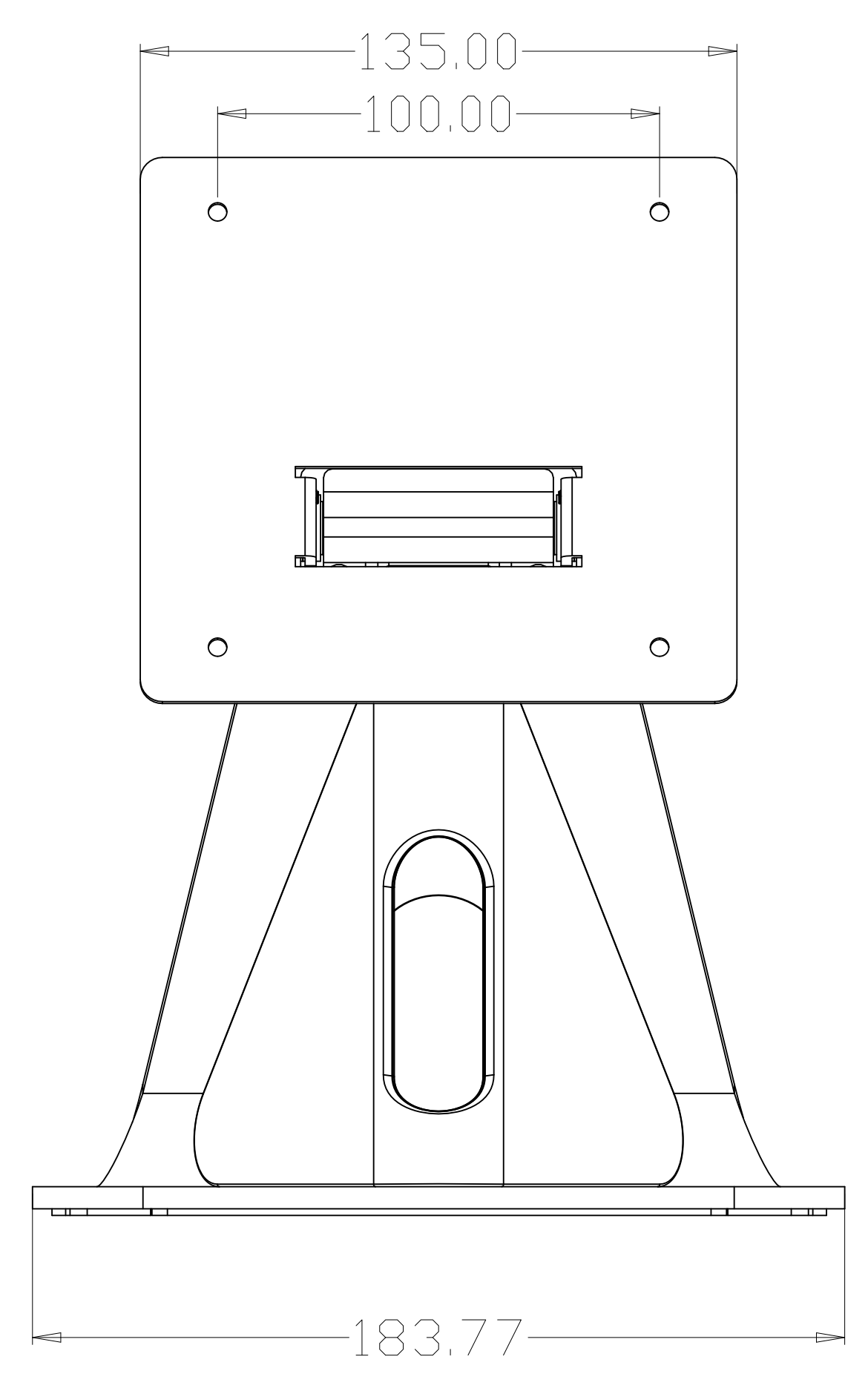
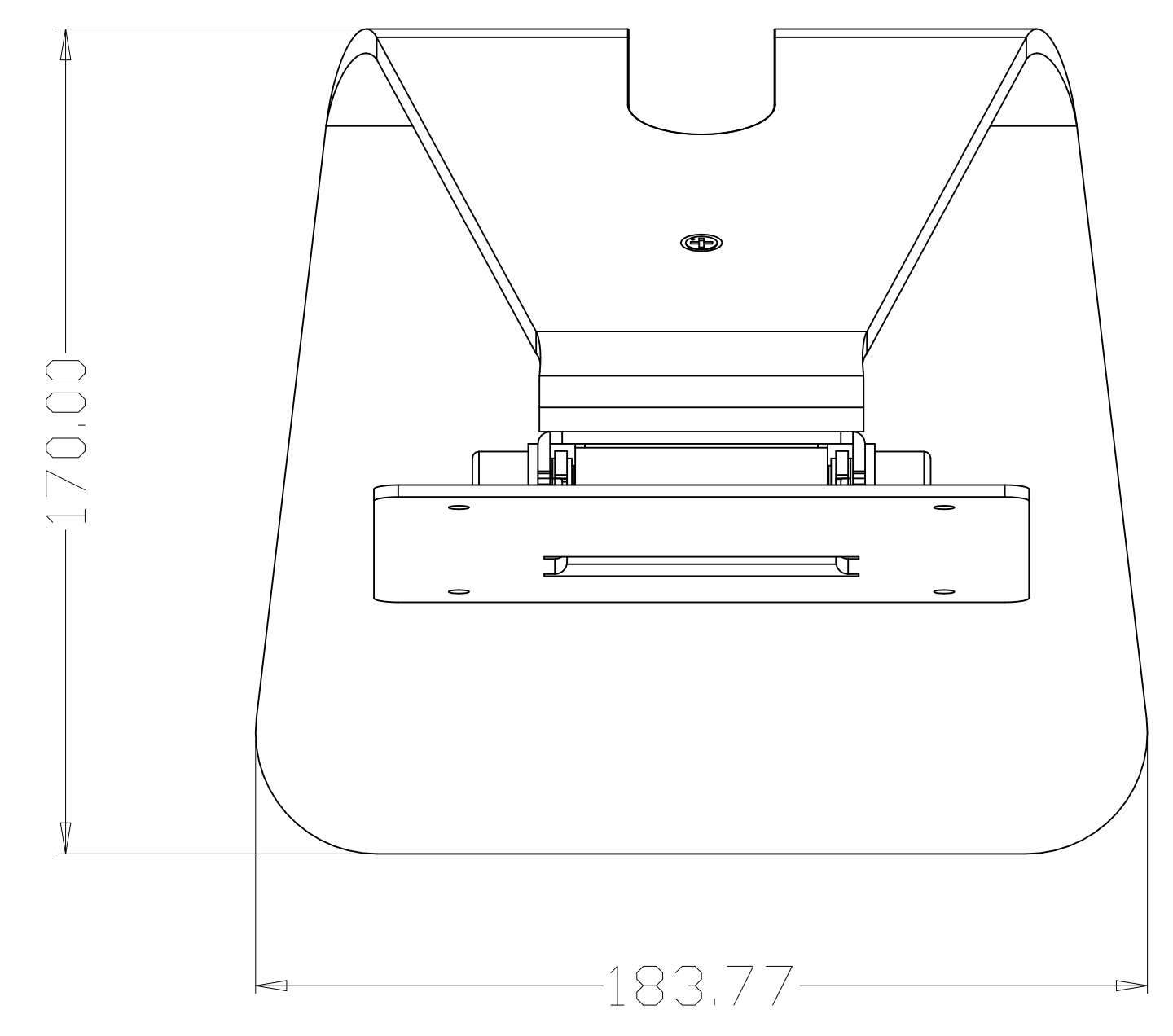


--	--	--	--	--



MicroTouch CONFIDENTIAL									
UNLESS OTHERWISE SPECIFIED THIS DRAWING SPECIFICATION IS THE PROPERTY OF THE COMPANY AND IS NOT TO BE REPRODUCED OR TRANSMITTED IN ANY FORM OR BY ANY MEANS, ELECTRONIC OR MECHANICAL, INCLUDING PHOTOCOPYING, RECORDING, OR BY ANY INFORMATION STORAGE AND RETRIEVAL SYSTEM.					PART NAME: SS-215-A1 Stand				
APPROVALS:	DATE:	DRAWN BY: SIV		DATE: 2020-09-22		SIZE: A0		SHEET: 1 OF 1	
CHECKED BY: BILLY	DATE: 2020-09-22	ISSUED BY: CHRIS		DATE: 2020-09-22		SCALE:		REV: A	
DO NOT SCALE DRAWING									