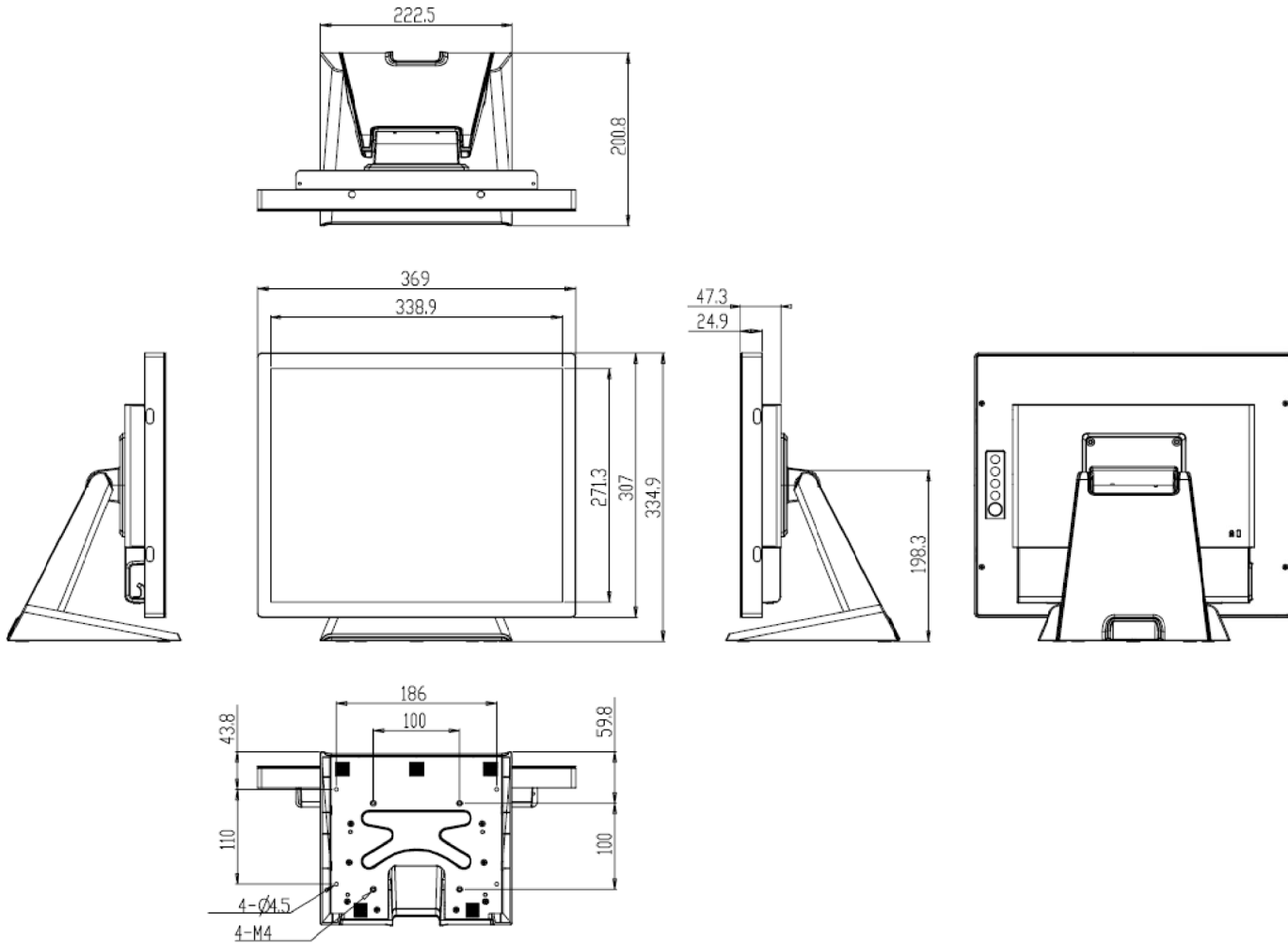


A | B | C | D | E | F | G | H | I

REVISIONS				
ECN	REV.	DESCRIPTION	DATE	APPROVED



ITEM		NEXT ASSY	USED ON	ACAD FILE		CONFIDENTIAL	
UNLESS OTHERWISE SPECIFIED DIMENSIONS ARE IN INCHES TOLERANCE				THIS DRAWING(SPECIFICATION) IS THE PROPERTY OF TES CORPORATION ALL RIGHTS RESERVED			
APPLICATION		DRAWN: Grant		APPROVALS	DATE	PART NAME	
					07-05-16	DT-170P-M1	
MATERIAL		CHECKED:		ISSUED:		SIZE	DWG. NO.
						A4	
DO NOT SCALE DRAWING		SCALE		DRAWING SCALE		SHEET	REV
						1	1