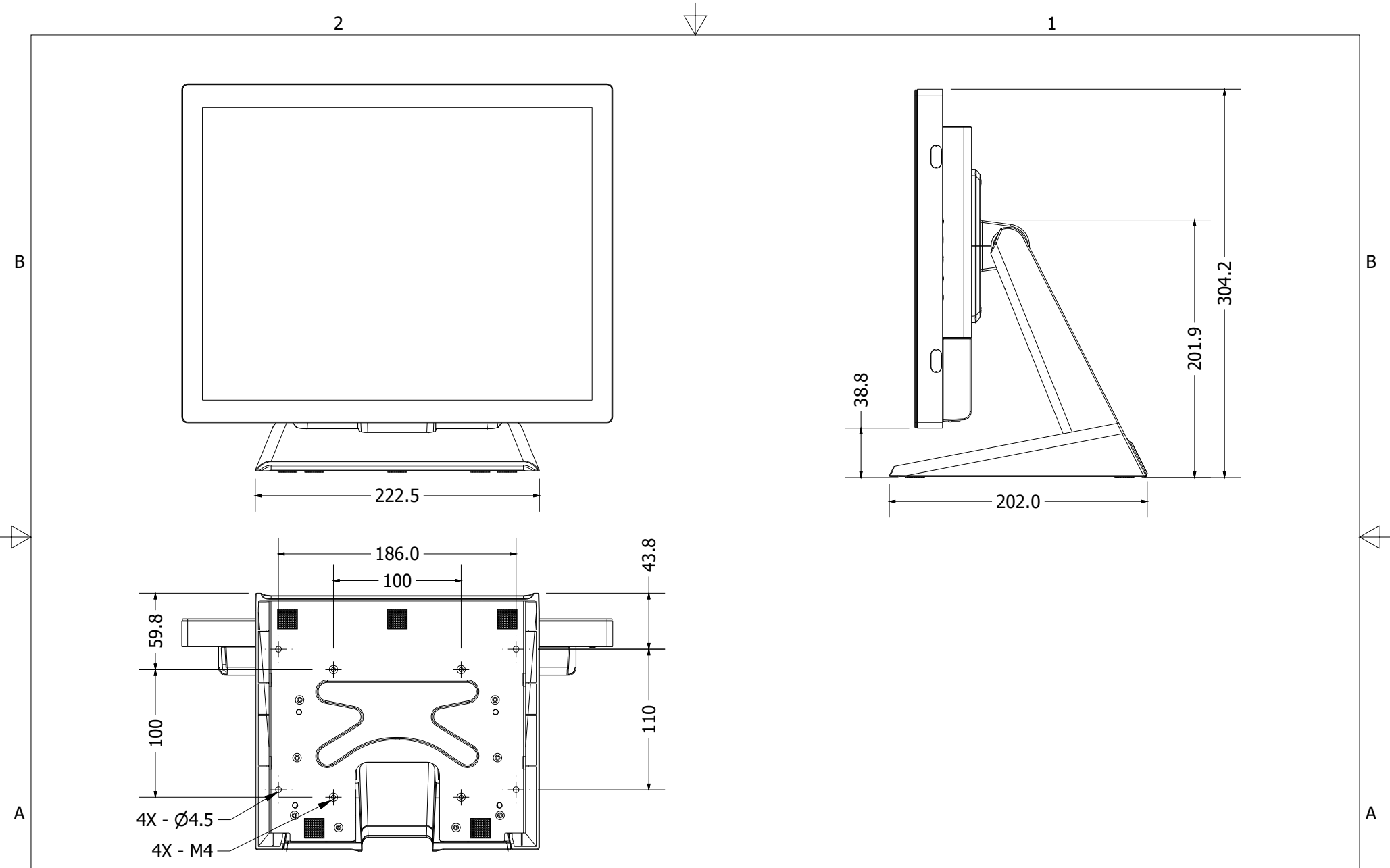


				<small>THIS DRAWING AND OR TECHNICAL INFORMATION IS THE SOLE PROPERTY OF MICROTOUCH AND IS FURNISHED FOR AUTHORIZED USE ONLY AND ON THE UNDERSTANDING AND CONDITION THAT IT IS CONFIDENTIAL. NEITHER THIS DOCUMENT NOR THE INFORMATION DISCLOSED HEREIN SHALL BE DISCLOSED TO OTHERS, COPIED, REPRODUCED OR OTHERWISE TRANSFERRED TO OTHER DOCUMENTS, OR USED FOR MANUFACTURING OR ANY OTHER PURPOSE EXCEPT AS AUTHORIZED BY MICROTOUCH INTERACTIVE, LLC.</small>				Maryville, TN 37804 - USA	
				TOLERANCING <small>UNLESS OTHERWISE SPECIFIED ALL DIMS ARE mm</small> X ± 0.20 RADIUS ± 0.15 .XX ± 0.10 ANGLES ± 0.5° DO NOT SCALE DRAWING		DR: MPB CK: Material: DATE: 3/5/2026 DWG. No.		SCALE: NTS SHEET: 1 OF 2 VER. 01	
REV	DATE	DESCRIPTION	BY						



REV	DATE	DESCRIPTION	BY

THIS DRAWING AND OR TECHNICAL INFORMATION IS THE SOLE PROPERTY OF MICROTUCH AND IS FURNISHED FOR AUTHORIZED USE ONLY AND ON THE UNDERSTANDING AND CONDITION THAT IT IS CONFIDENTIAL. NEITHER THIS DOCUMENT NOR THE INFORMATION DISCLOSED HEREIN SHALL BE DISCLOSED TO OTHERS, COPIED, REPRODUCED OR OTHERWISE TRANSFERRED TO OTHER DOCUMENTS, OR USED FOR MANUFACTURING OR ANY OTHER PURPOSE EXCEPT AS AUTHORIZED BY MICROTUCH INTERACTIVE, LLC.

TOLERANCING
 UNLESS OTHERWISE SPECIFIED
 ALL DIMS ARE mm
 .X ± 0.20 RADIUS ± 0.15
 .XX ± 0.10 ANGLES ± 0.5°
 DO NOT SCALE DRAWING

MicroTouch Maryville, TN 37804 - USA

DT-150P-MX
 Medical Grade Touch Monitor

DR: MPB	CK:	Material:	SCALE: NTS
DATE: 3/5/2026			SHEET: 2 OF 2
DWG. No.			VER. 01

THIRD ANGLE VIEW