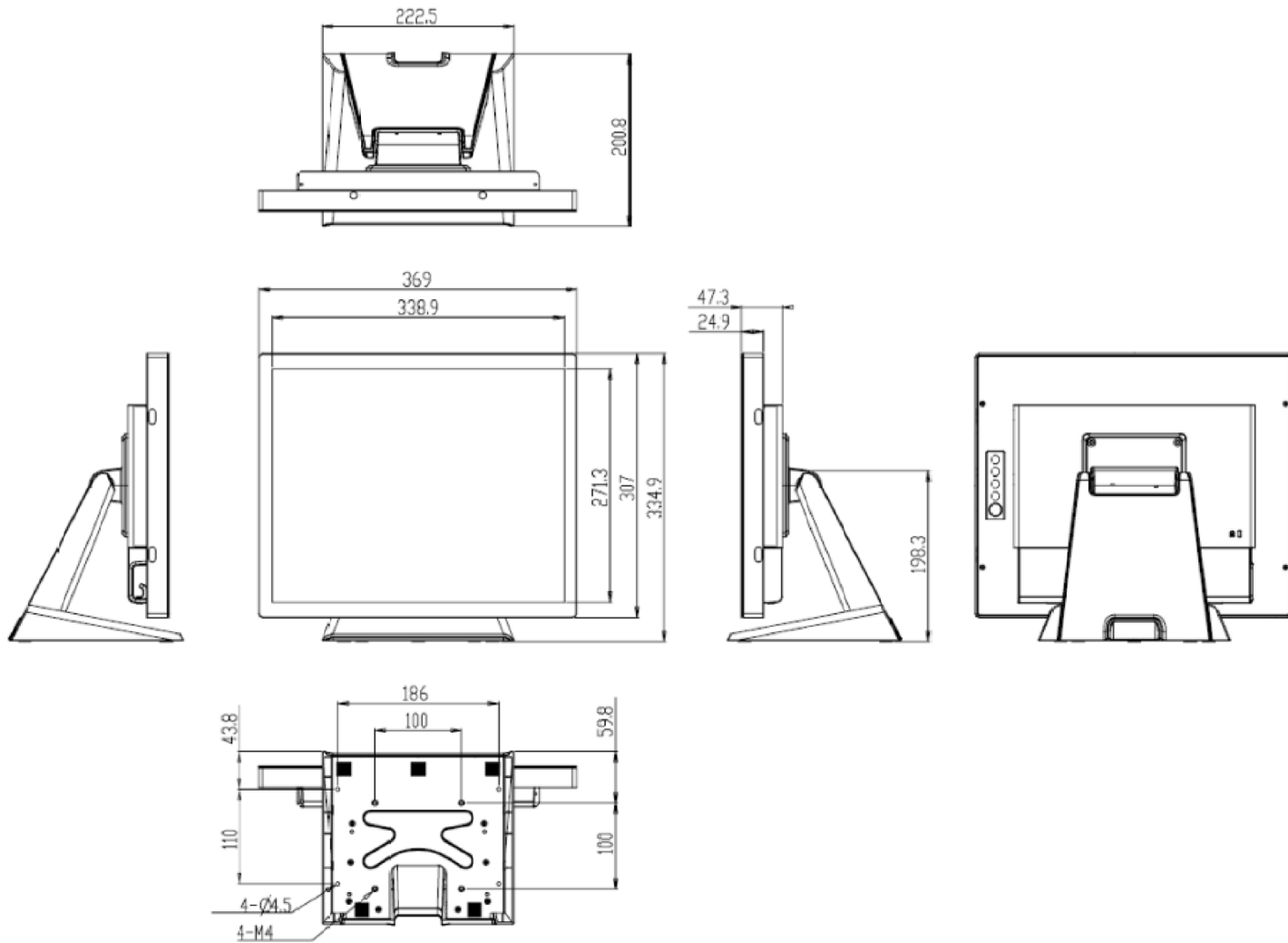


A | B | C | D | E | F | G | H | I

REVISIONS				
ECN	REV.	DESCRIPTION	DATE	APPROVED



ACAD FILE			CONFIDENTIAL	
UNLESS OTHERWISE SPECIFIED DIMENSION ARE IN : INCHES TOLERANCE			THIS DRAWING(SPECIFICATION) IS THE PROPERTY OF TES CORPORATION ALL RIGHTS RESERVED	
APPLICATION			APPROVALS	DATE
			DRAWN: Grant	07-05-16
MATERIAL			CHECKED:	ISSUED:
DO NOT SCALE DRAWING			PART NAME SK-170P-A1	
ITEM NEXT ASSY USED ON			SIZE	DWG. NO.
			SCALE	DRAWING SCALE SHEET 1 OF 1
			REV	A

