

REV	DATE	DESCRIPTION	BY

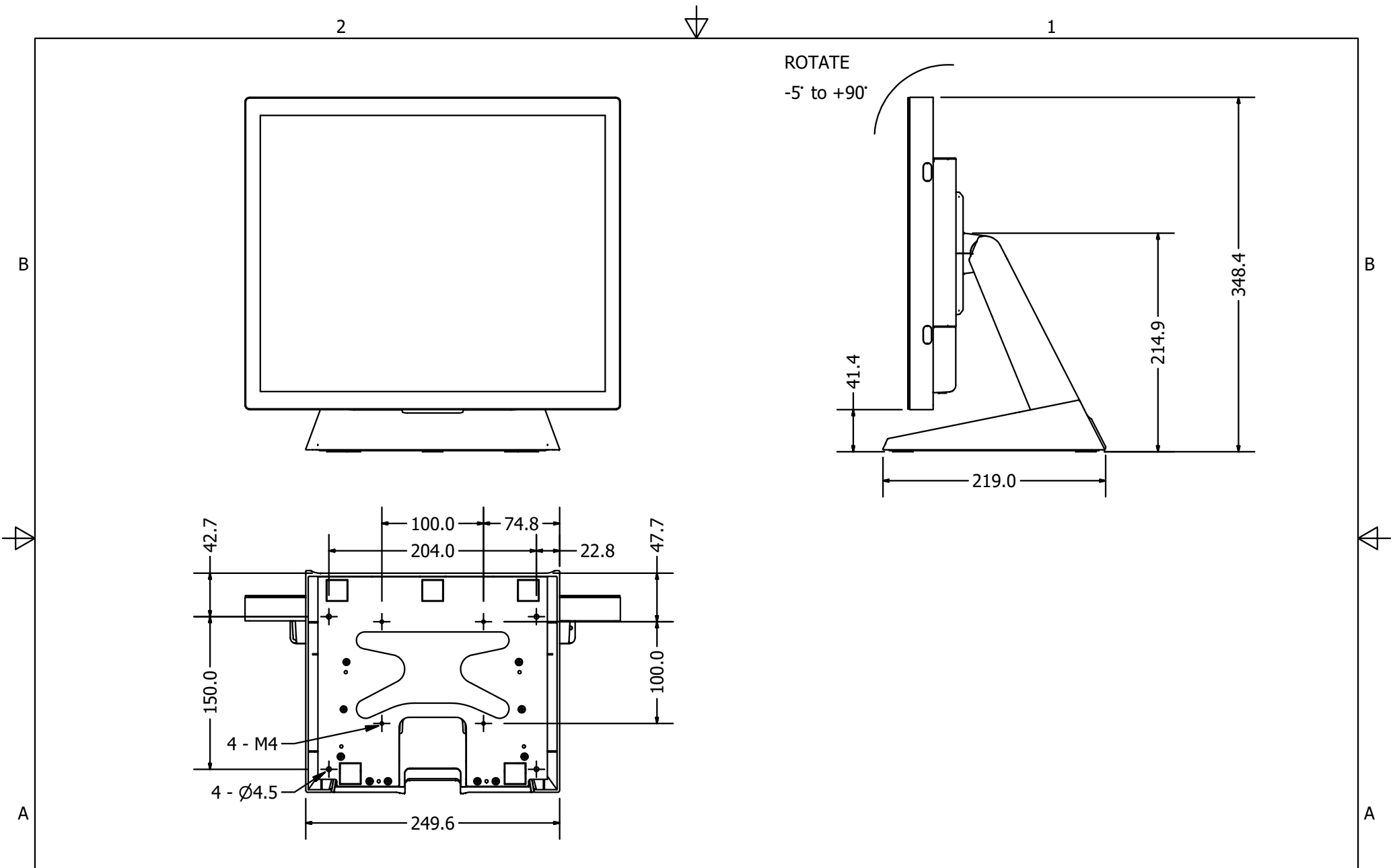
THIS DRAWING AND OR TECHNICAL INFORMATION IS THE SOLE PROPERTY OF TES AMERICA, LLC. AND IS FURNISHED FOR AUTHORIZED USE ONLY AND ON THE UNDERSTANDING AND CONDITION THAT IT IS CONFIDENTIAL. NEITHER THIS DOCUMENT NOR THE INFORMATION DISCLOSED HEREIN SHALL BE DISCLOSED TO OTHERS, COPIED, REPRODUCED OR OTHERWISE TRANSFERRED TO OTHER DOCUMENTS, OR USED FOR MANUFACTURING OR ANY OTHER PURPOSE EXCEPT AS AUTHORIZED BY TES AMERICA, LLC.

**TOLERANCING**  
UNLESS OTHERWISE SPECIFIED  
ALL DIMS ARE mm  
.X ± 0.20 RADIUS ± 0.15  
.XX ± 0.10 ANGLES ± 0.5°  
DO NOT SCALE DRAWING

**MicroTouch** HOLLAND, MI 49423 - USA  
SK-170P-A1

DR: MPB	CK:	Material:	SCALE: NTS
DATE: 3/22/2021			SHEET: 1 OF 3
DWG. No. PM522PU0F0021			VER. 01

THIRD ANGLE VIEW



REV	DATE	DESCRIPTION	BY

THIS DRAWING AND OR TECHNICAL INFORMATION IS THE SOLE PROPERTY OF TES AMERICA, LLC. AND IS FURNISHED FOR AUTHORIZED USE ONLY AND ON THE UNDERSTANDING AND CONDITION THAT IT IS CONFIDENTIAL. NEITHER THIS DOCUMENT NOR THE INFORMATION DISCLOSED HEREIN SHALL BE DISCLOSED TO OTHERS, COPIED, REPRODUCED OR OTHERWISE TRANSFERRED TO OTHER DOCUMENTS, OR USED FOR MANUFACTURING OR ANY OTHER PURPOSE EXCEPT AS AUTHORIZED BY TES AMERICA, LLC.

**TOLERANCING**  
UNLESS OTHERWISE SPECIFIED  
ALL DIMS ARE mm  
.X ± 0.20 RADIUS ± 0.15  
.XX ± 0.10 ANGLES ± 0.5°  
DO NOT SCALE DRAWING

**MicroTouch** HOLLAND, MI 49423 - USA

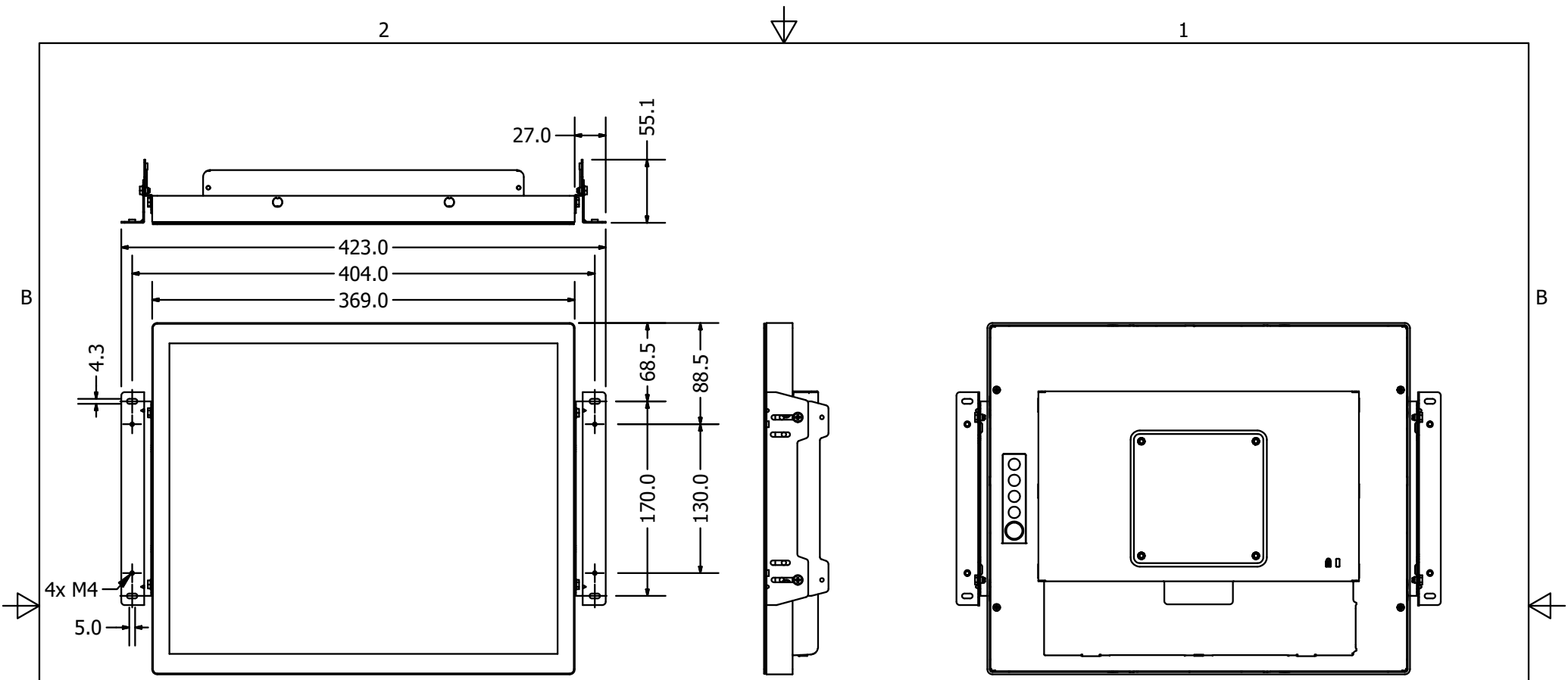
SK-170P-A1  
With Optional Stand IS-000-A1 (Stand Sold Separately)

DR: MPB	CK:	Material:	SCALE: NTS
DATE: 3/22/2021			SHEET: 2 OF 3
DWG. No. PM522PU0F0021			VER. 01

THIRD ANGLE VIEW

2

1



FRONT

REAR

SHOWN WITH BRACKETS MOUNTED ON THE SIDES.  
BRACKETS CAN ALSO BE MOUNTED ON THE TOP/BOTTOM EDGES.

REV	DATE	DESCRIPTION	BY

THIS DRAWING AND OR TECHNICAL INFORMATION IS THE SOLE PROPERTY OF TES AMERICA, LLC. AND IS FURNISHED FOR AUTHORIZED USE ONLY AND ON THE UNDERSTANDING AND CONDITION THAT IT IS CONFIDENTIAL. NEITHER THIS DOCUMENT NOR THE INFORMATION DISCLOSED HEREIN SHALL BE DISCLOSED TO OTHERS, COPIED, REPRODUCED OR OTHERWISE TRANSFERRED TO OTHER DOCUMENTS, OR USED FOR MANUFACTURING OR ANY OTHER PURPOSE EXCEPT AS AUTHORIZED BY TES AMERICA, LLC.

**TOLERANCING**  
UNLESS OTHERWISE SPECIFIED  
ALL DIMS ARE mm  
.X ± 0.20 RADIUS ± 0.15  
.XX ± 0.10 ANGLES ± 0.5°  
DO NOT SCALE DRAWING

**MicroTouch** HOLLAND, MI 49423 - USA

**SK-170P-A1**  
With Optional BRKT-KIT-A1 Bracket KIT (Bracket KIT Sold Separately)

DR: MPB	CK:	Material:	SCALE: NTS
DATE: 3/22/2021			SHEET: 3 OF 3
DWG. No. PM522PU0F0021			VER. 01

THIRD ANGLE VIEW