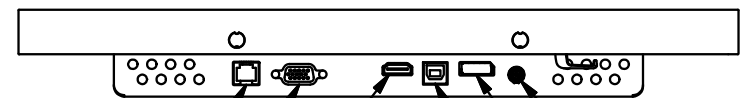


FRONT

REAR




- RJ11 (for Remote OSD)
- VGA (DB15)
- HDMI
- USB 2.0 (Type B)
- 12 VDC
- DP

REV	DATE	DESCRIPTION	BY

THIS DRAWING AND OR TECHNICAL INFORMATION IS THE SOLE PROPERTY OF TES AMERICA, LLC. AND IS FURNISHED FOR AUTHORIZED USE ONLY AND ON THE UNDERSTANDING AND CONDITION THAT IT IS CONFIDENTIAL. NEITHER THIS DOCUMENT NOR THE INFORMATION DISCLOSED HEREIN SHALL BE DISCLOSED TO OTHERS, COPIED, REPRODUCED OR OTHERWISE TRANSFERRED TO OTHER DOCUMENTS, OR USED FOR MANUFACTURING OR ANY OTHER PURPOSE EXCEPT AS AUTHORIZED BY TES AMERICA, LLC.

TOLERANCING
UNLESS OTHERWISE SPECIFIED
ALL DIMS ARE mm

.X ± 0.20 RADIUS ± 0.15
.XX ± 0.10 ANGLES ± 0.5°
DO NOT SCALE DRAWING



HOLLAND, MI 49423 - USA

SK-156P-A1

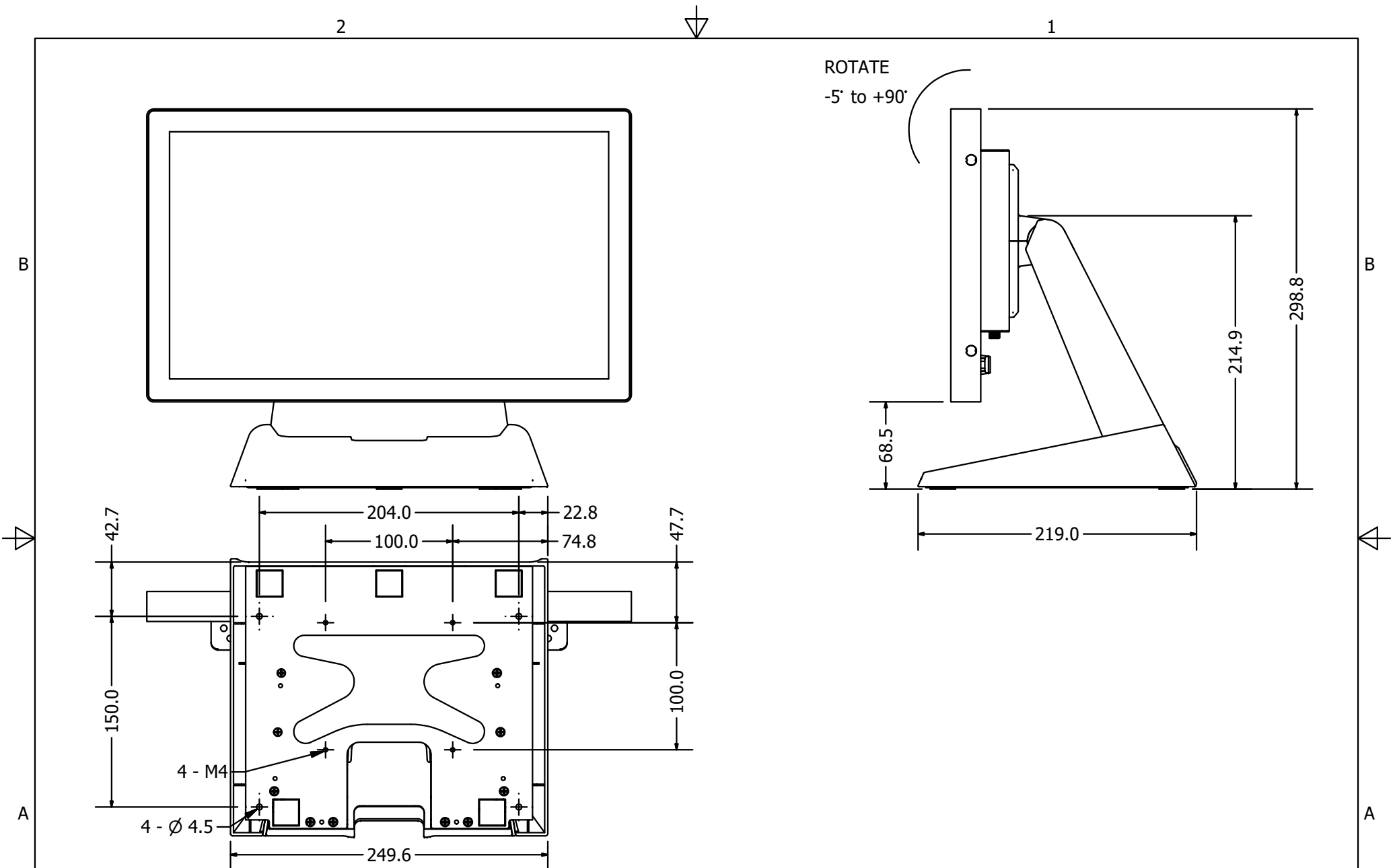
DR: MPB CK: Material: SCALE: NTS

DATE: 3/22/2021 SHEET: 1 OF 3

DWG. No. VER. 01

MG116PU0F0025

THIRD ANGLE VIEW



REV	DATE	DESCRIPTION	BY

THIS DRAWING AND OR TECHNICAL INFORMATION IS THE SOLE PROPERTY OF TES AMERICA, LLC. AND IS FURNISHED FOR AUTHORIZED USE ONLY AND ON THE UNDERSTANDING AND CONDITION THAT IT IS CONFIDENTIAL. NEITHER THIS DOCUMENT NOR THE INFORMATION DISCLOSED HEREIN SHALL BE DISCLOSED TO OTHERS, COPIED, REPRODUCED OR OTHERWISE TRANSFERRED TO OTHER DOCUMENTS, OR USED FOR MANUFACTURING OR ANY OTHER PURPOSE EXCEPT AS AUTHORIZED BY TES AMERICA, LLC.

TOLERANCING
 UNLESS OTHERWISE SPECIFIED
 ALL DIMS ARE mm
 .X ± 0.20 RADIUS ± 0.15
 .XX ± 0.10 ANGLES ± 0.5°
 DO NOT SCALE DRAWING

MicroTouch HOLLAND, MI 49423 - USA

SK-156P-A1
 With Optional Stand IS-000-A1 (Stand Sold Separately)

DR: MPB	CK:	Material:	SCALE: NTS
DATE: 3/22/2021			SHEET: 2 OF 3
DWG. No. MG116PU0F0025			VER. 01

THIRD ANGLE VIEW

2

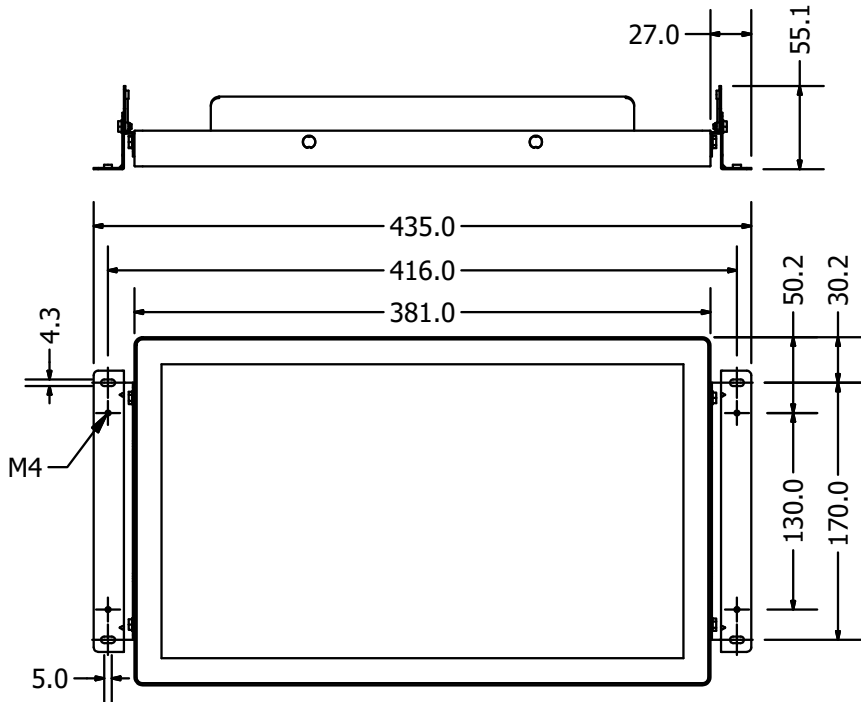
1

2

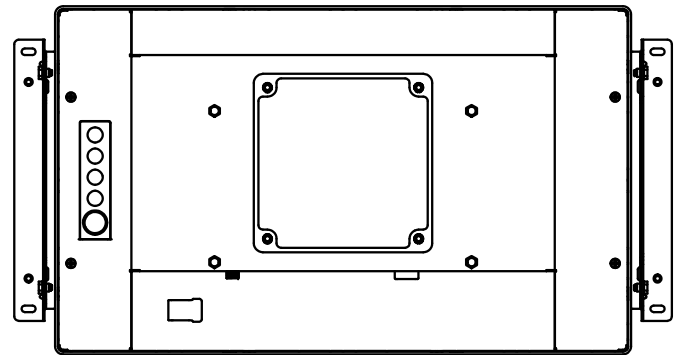
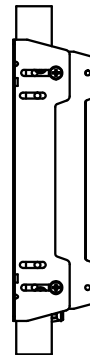
1

B

B



FRONT



REAR

SHOWN WITH BRACKETS MOUNTED ON THE SIDES.
BRACKETS CAN ALSO BE MOUNTED ON THE TOP/BOTTOM EDGES.

A

A

A

A

REV	DATE	DESCRIPTION	BY

THIS DRAWING AND OR TECHNICAL INFORMATION IS THE SOLE PROPERTY OF TES AMERICA, LLC. AND IS FURNISHED FOR AUTHORIZED USE ONLY AND ON THE UNDERSTANDING AND CONDITION THAT IT IS CONFIDENTIAL. NEITHER THIS DOCUMENT NOR THE INFORMATION DISCLOSED HEREIN SHALL BE DISCLOSED TO OTHERS, COPIED, REPRODUCED OR OTHERWISE TRANSFERRED TO OTHER DOCUMENTS, OR USED FOR MANUFACTURING OR ANY OTHER PURPOSE EXCEPT AS AUTHORIZED BY TES AMERICA, LLC.

TOLERANCING
UNLESS OTHERWISE SPECIFIED
ALL DIMS ARE mm
.X ± 0.20 RADIUS ± 0.15
.XX ± 0.10 ANGLES ± 0.5°
DO NOT SCALE DRAWING

MicroTouch HOLLAND, MI 49423 - USA

SK-156P-A1
With Optional BRKT-KIT-A1 Bracket KIT (Bracket KIT Sold Separately)

DR: MPB	CK:	Material:	SCALE: NTS
DATE: 3/22/2021			SHEET: 3 OF 3
DWG. No. MG116PU0F0025			VER. 01

THIRD ANGLE VIEW

2

1

A