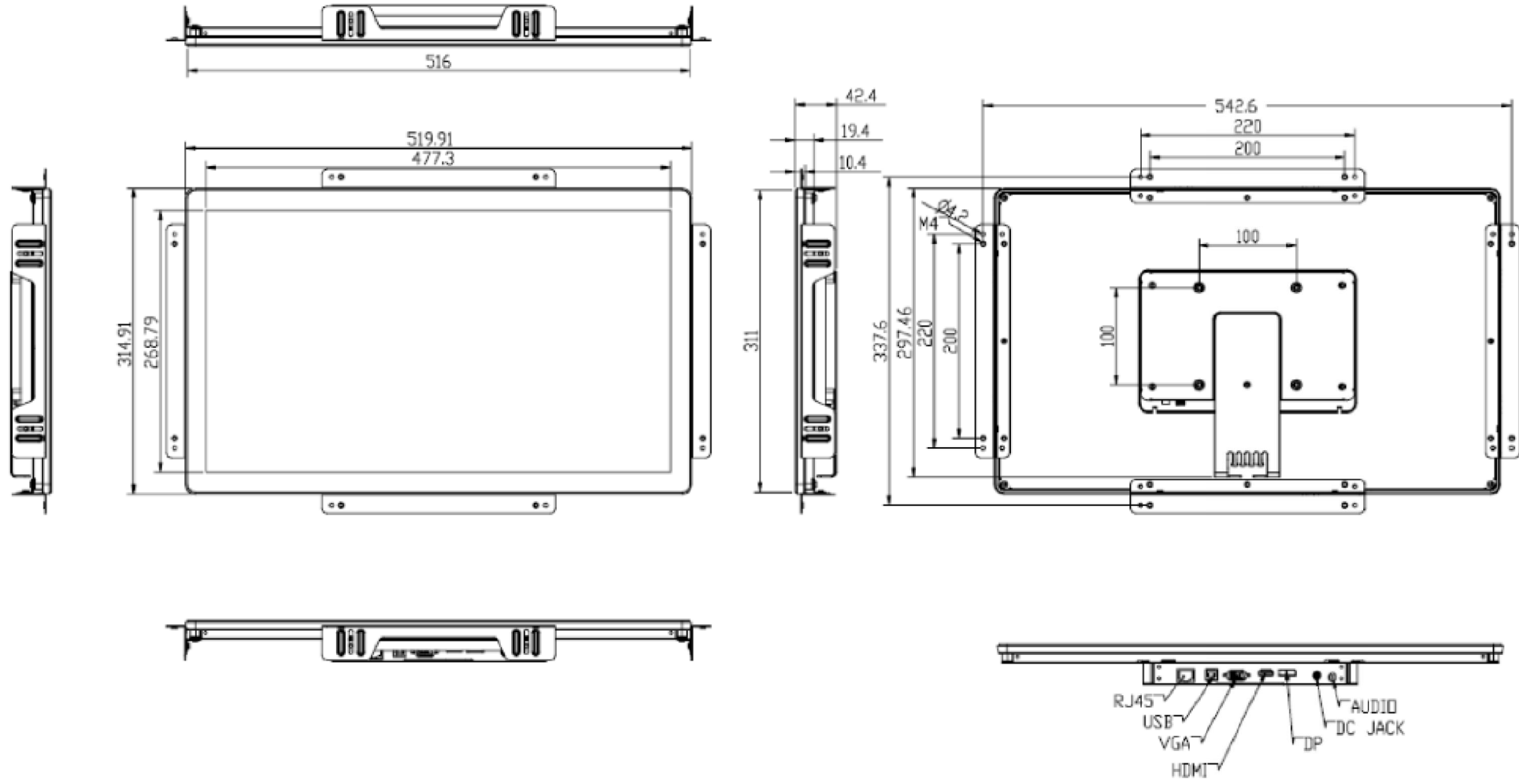


A | B | C | D | E | F | G | H | I

R E V I S I O N S				
ECN	REV.	DESCRIPTION	DATE	APPROVED



ACAD FILE		UNLESS OTHERWISE SPECIFIED DIMENSIONS ARE IN INCHES WITH TOLERANCE		THIS DRAWING/SPECIFICATION IS THE PROPERTY OF TES CORPORATION ALL RIGHTS RESERVED		CONFIDENTIAL	
ITEM	NEXT ASSY	USED ON	INCHES DECIMALS	METRIC SEE TABLE	APPROVALS	DATE	PART NAME OF-215P-B1
APPLICATION			ANGLE	MATERIAL	COLOR	CHECKED:	
			MATERIAL	COLOR	ISSUED:	DATE	REV A
DO NOT SCALE DRAWING			SCALE	DRAWING SCALE	SHEET	1 OF 1	1

