

REV	DATE	DESCRIPTION	BY
01-b	1/6/2022	Added DVI Connection	MPB
01-a	1/24/2021	Initial Release	MPB

THIS DRAWING AND OR TECHNICAL INFORMATION IS THE SOLE PROPERTY OF TPK AMERICA, LLC. AND IS FURNISHED FOR AUTHORIZED USE ONLY AND ON THE UNDERSTANDING AND CONDITION THAT IT IS CONFIDENTIAL. NEITHER THIS DOCUMENT NOR THE INFORMATION DISCLOSED HEREIN SHALL BE DISCLOSED TO OTHERS, COPIED, REPRODUCED OR OTHERWISE TRANSFERRED TO OTHER DOCUMENTS, OR USED FOR MANUFACTURING OR ANY OTHER PURPOSE EXCEPT AS AUTHORIZED BY TPK AMERICA, LLC.

**TOLERANCING**  
UNLESS OTHERWISE SPECIFIED  
ALL DIMS ARE mm

.X ± 0.20 RADIUS ± 0.15  
.XX ± 0.10 ANGLES ± 0.5°

DO NOT SCALE DRAWING

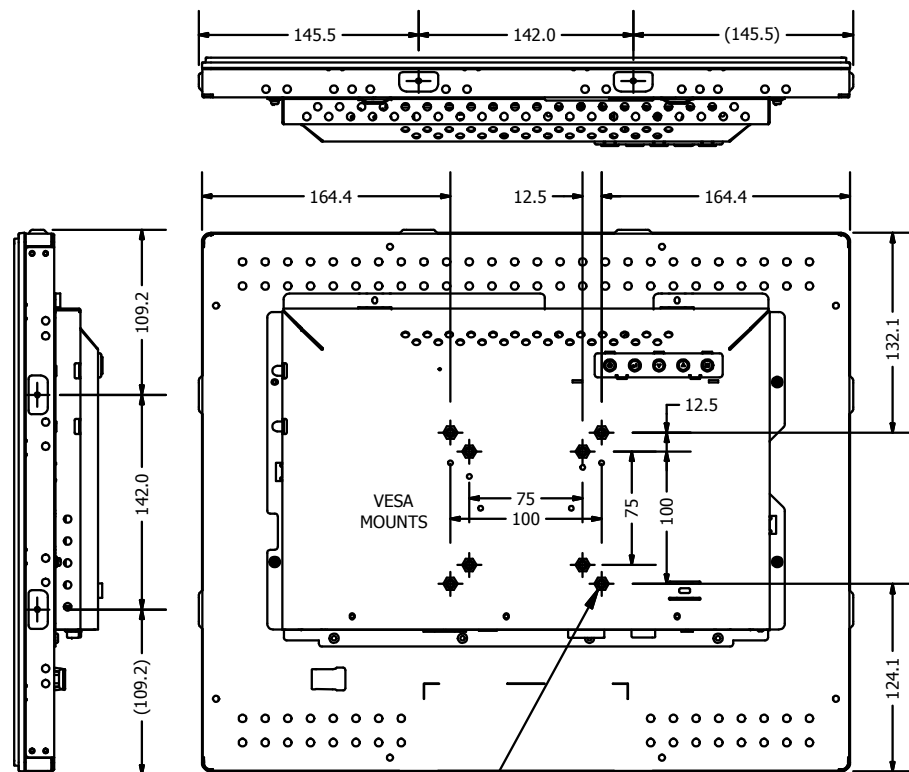
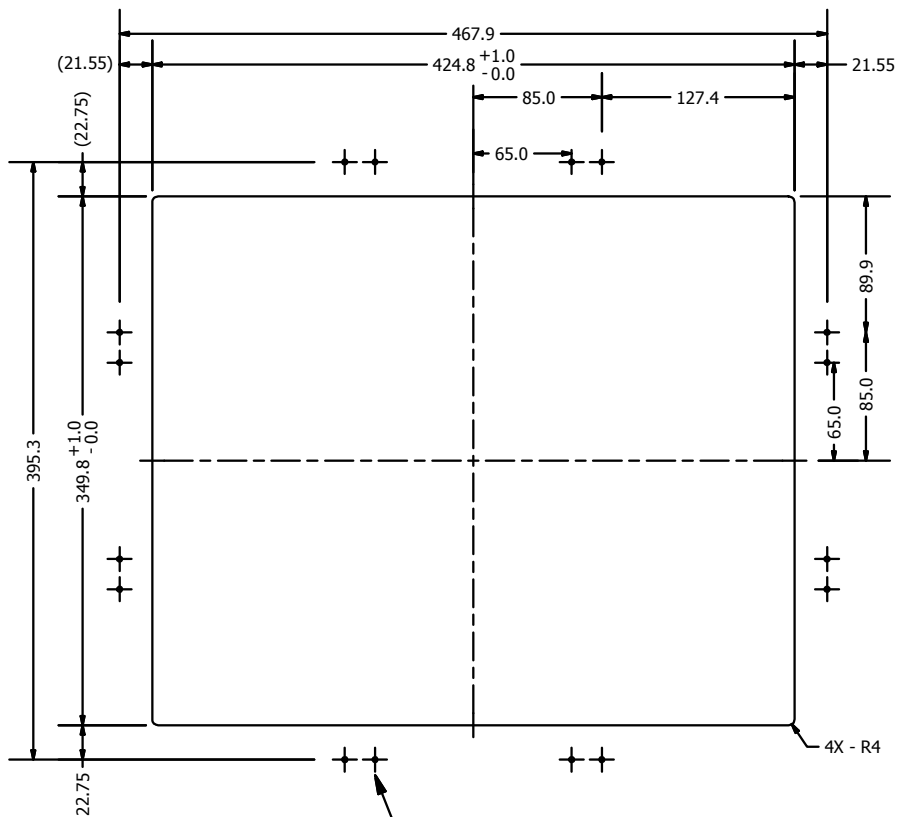
**MicroTouch** HOLLAND, MI 49423 - USA

OF-190P-A1 Open Frame Touch Monitor  
Overview Geometry

DR: MPB	CK:	Material:	SCALE: NTS
DATE: 1/20/2021			SHEET: 1 OF 4
DWG. No. QA710PU0F0094			VER. 01

THIRD ANGLE VIEW

WALL CUTOUT



1. Wooden wall: Ø4.5mm thru holes for M4 screws w/nuts, or no thru holes, screws for wood 4mm.
2. Sheet metal: concealed head threaded studs M4 w/nuts.
3. Only two brackets are necessary for mounting. Drill 4 holes for top/bottom bracket mounting or side bracket mounting.

The distance between the back cover surface and the bottom of the screw hole is 8 mm. Please use four M4 screws with the proper length to mount the monitor if you are not using the included mounting brackets and M4x6 screws. The mounting stand must support at least 13.2 lbs (6kg).

REV	DATE	DESCRIPTION	BY
01-b	1/6/2022	Added DVI Connection	MPB
01-a	1/24/2021	Initial Release	MPB

THIS DRAWING AND OR TECHNICAL INFORMATION IS THE SOLE PROPERTY OF TPK AMERICA, LLC. AND IS FURNISHED FOR AUTHORIZED USE ONLY AND ON THE UNDERSTANDING AND CONDITION THAT IT IS CONFIDENTIAL. NEITHER THIS DOCUMENT NOR THE INFORMATION DISCLOSED HEREIN SHALL BE DISCLOSED TO OTHERS, COPIED, REPRODUCED OR OTHERWISE TRANSFERRED TO OTHER DOCUMENTS, OR USED FOR MANUFACTURING OR ANY OTHER PURPOSE EXCEPT AS AUTHORIZED BY TPK AMERICA, LLC.

**TOLERANCING**  
UNLESS OTHERWISE SPECIFIED  
ALL DIMS ARE mm  
X ± 0.20 RADIUS ± 0.15  
.XX ± 0.10 ANGLES ± 0.5°  
DO NOT SCALE DRAWING

**MicroTouch** HOLLAND, MI 49423 - USA

OF-190P-A1 Open Frame Touch Monitor Mounting Geometry

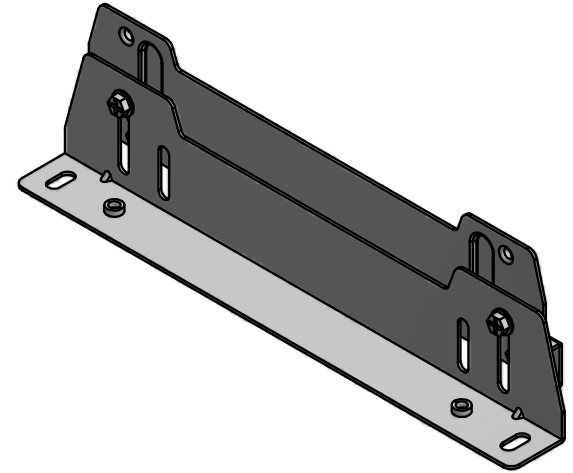
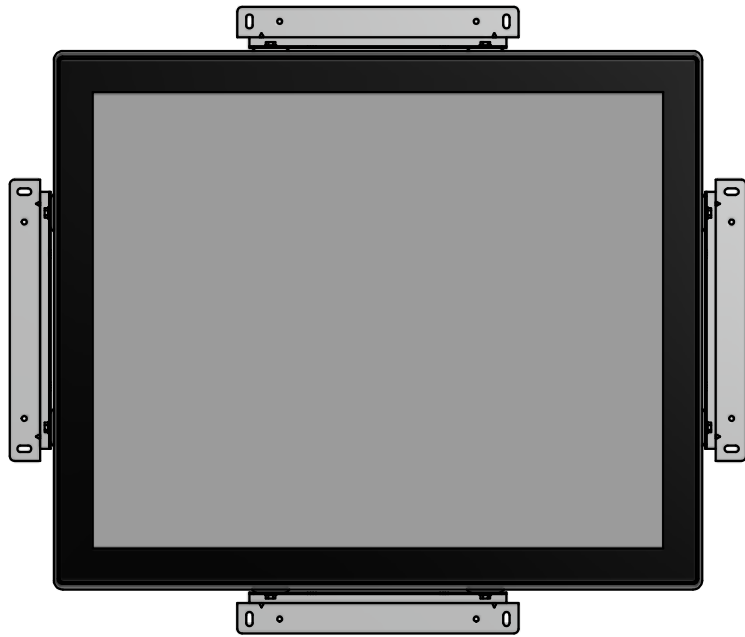
DR: MPB	CK:	Material:	SCALE: NTS
DATE: 1/20/2021			SHEET: 2 OF 4
DWG. No. QA710PU0F0094			VER. 01

THIRD ANGLE VIEW

2



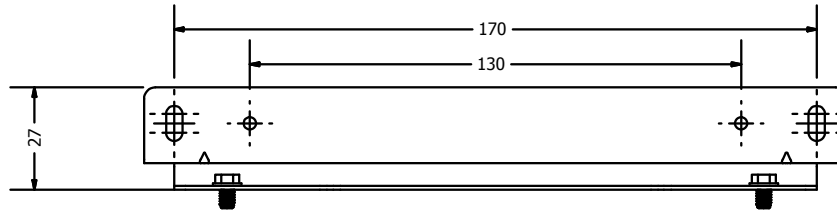
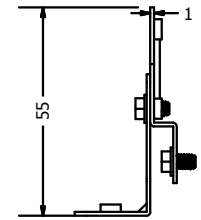
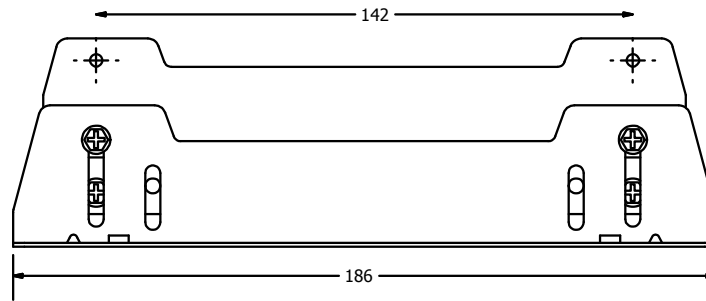
1



B

B

When using brackets you only need to use two of them. Pick either Top and Bottom or Left and Right sides.



A

A

REV	DATE	DESCRIPTION	BY
01-b	1/6/2022	Added DVI Connection	MPB
01-a	1/24/2021	Initial Release	MPB

THIS DRAWING AND OR TECHNICAL INFORMATION IS THE SOLE PROPERTY OF TPK AMERICA, LLC. AND IS FURNISHED FOR AUTHORIZED USE ONLY AND ON THE UNDERSTANDING AND CONDITION THAT IT IS CONFIDENTIAL. NEITHER THIS DOCUMENT NOR THE INFORMATION DISCLOSED HEREIN SHALL BE DISCLOSED TO OTHERS, COPIED, REPRODUCED OR OTHERWISE TRANSFERRED TO OTHER DOCUMENTS, OR USED FOR MANUFACTURING OR ANY OTHER PURPOSE EXCEPT AS AUTHORIZED BY TPK AMERICA, LLC.

**TOLERANCING**  
UNLESS OTHERWISE SPECIFIED  
ALL DIMS ARE mm  
.X ± 0.20 RADIUS ± 0.15  
.XX ± 0.10 ANGLES ± 0.5°  
DO NOT SCALE DRAWING

**MicroTouch** HOLLAND, MI 49423 - USA

OF-190P-A1 Open Frame Touch Monitor Brackets

DR: MPB	CK:	Material:	SCALE: NTS
DATE: 1/20/2021			SHEET: 3 OF 4
DWG. No. QA710PU0F0094		VER. 01	

2



1

2



1



B

B



A

A

			<small>THIS DRAWING AND OR TECHNICAL INFORMATION IS THE SOLE PROPERTY OF TPK AMERICA, LLC. AND IS FURNISHED FOR AUTHORIZED USE ONLY AND ON THE UNDERSTANDING AND CONDITION THAT IT IS CONFIDENTIAL. NEITHER THIS DOCUMENT NOR THE INFORMATION DISCLOSED HEREIN SHALL BE DISCLOSED TO OTHERS, COPIED, REPRODUCED OR OTHERWISE TRANSFERRED TO OTHER DOCUMENTS, OR USED FOR MANUFACTURING OR ANY OTHER PURPOSE EXCEPT AS AUTHORIZED BY TPK AMERICA, LLC.</small>				HOLLAND, MI 49423 - USA		
					<b>OF-190P-A1 Open Frame Touch Monitor</b> 3D Overview				
01-b	1/6/2022	Added DVI Connection	MPB	<b>TOLERANCING</b> <small>UNLESS OTHERWISE SPECIFIED ALL DIMS ARE mm</small>		DR: MPB	CK:	Material:	SCALE: NTS
01-a	1/24/2021	Initial Release	MPB	.X ± 0.20      RADIUS ± 0.15 .XX ± 0.10    ANGLES ± 0.5° DO NOT SCALE DRAWING		DATE: 1/20/2021		SHEET: 4 OF 4	
REV	DATE	DESCRIPTION	BY			DWG. No. QA710PU0F0094		VER. 01	

2



1