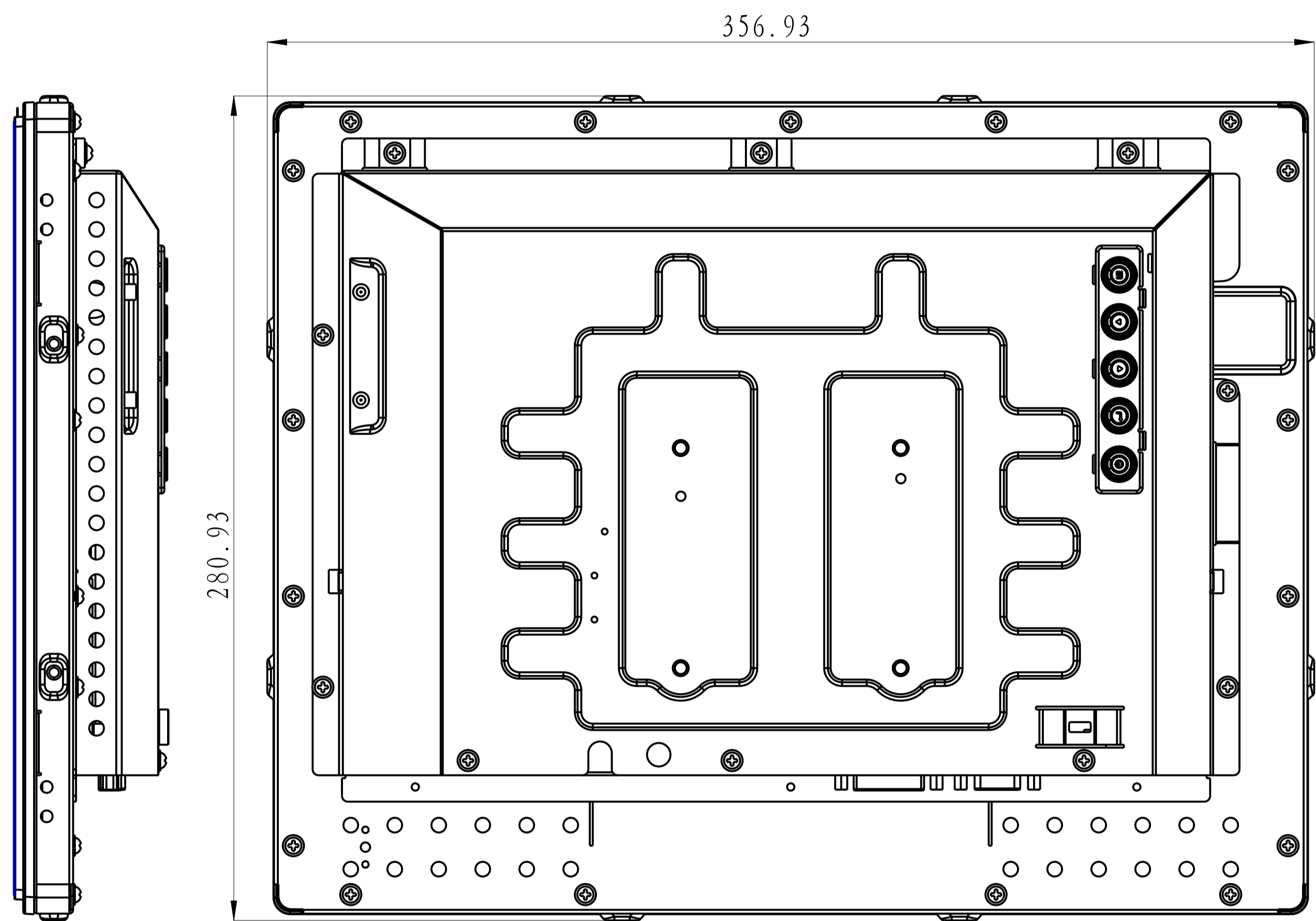
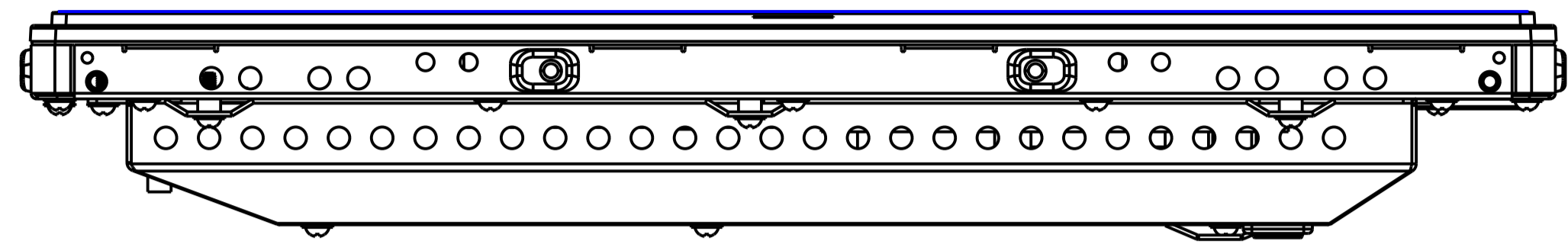
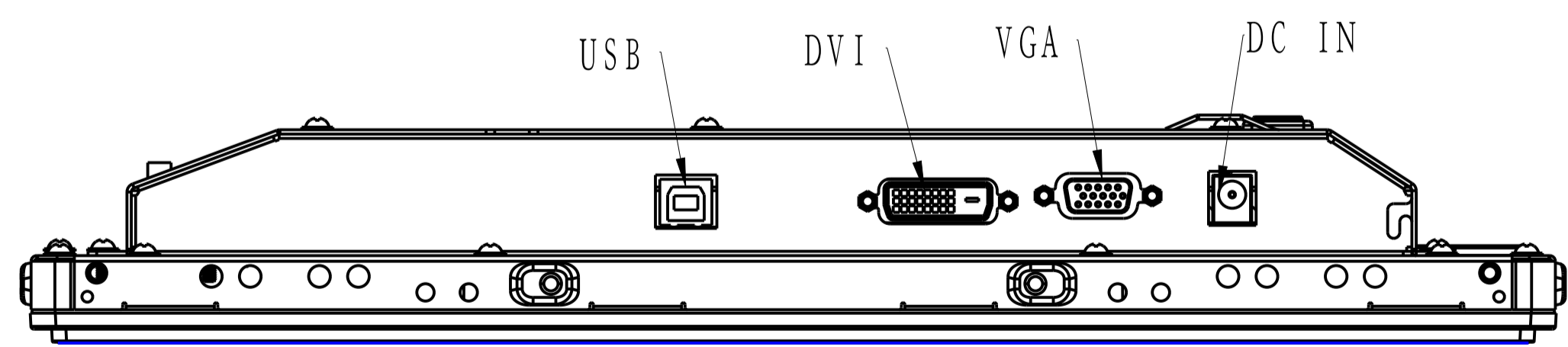
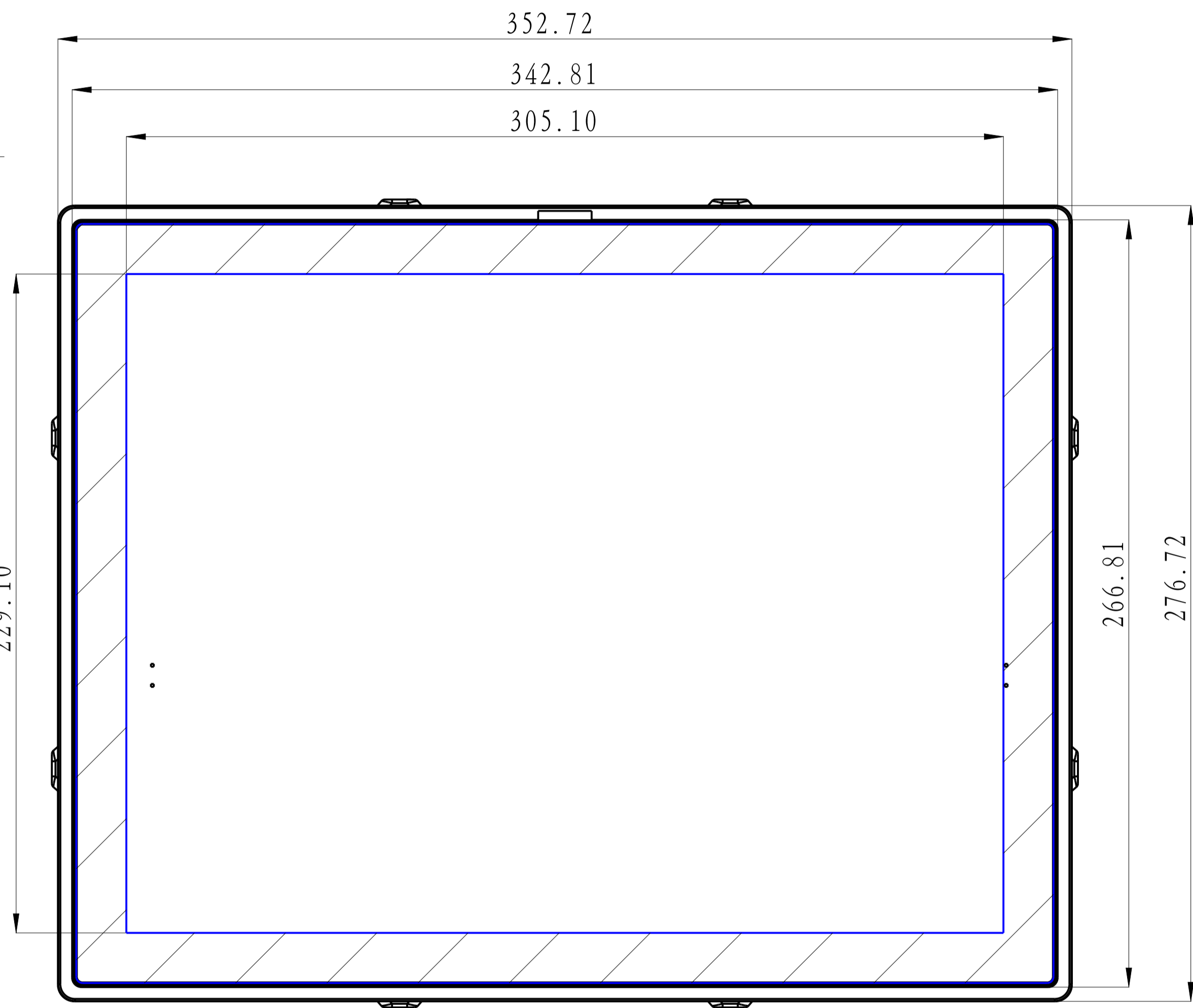
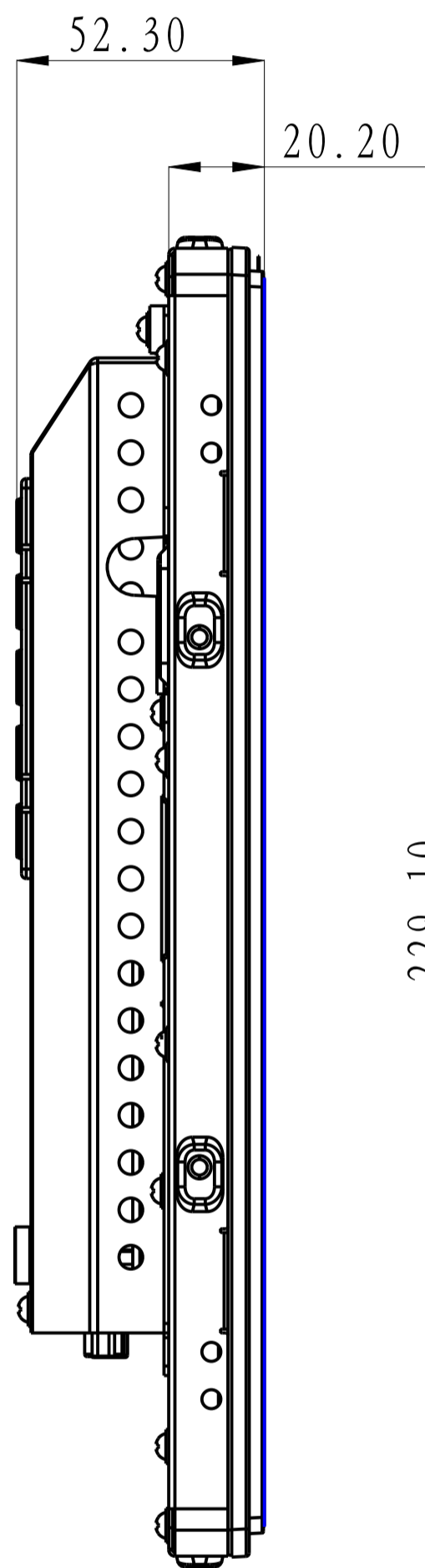


REVISIONS				
ECN	REV.	DESCRIPTION	DATE	APPROVED



280.93



比例 0.750

			<b>CONFIDENTIAL</b>		
ITEM	NEXT ASSY	USED ON	UNLESS OTHERWISE SPECIFIED DIMENSIONS ARE IN INCHES		THIS DRAWING(SPECIFICATION) IS THE PROPERTY OF TES CORPORATION ALL RIGHTS RESERVED.
			INCH	DECIMALS	METRIC
			1/16	0.1	2.0
			1/32	0.05	1.0
			APPROVALS		DATE
					JAN-11-21
			FAST NAME		
			OF-150P-A1		
			DRAWN		CHECKED
			MATERIAL		COLOR
			THIRD ANGLE PROJECTION		SCALE
			DO NOT SCALE DRAWING		0.500
			SHEET		1 OF 1