

01-a	1/3/2020	Initial Release	MPB
REV	DATE	DESCRIPTION	BY

THIS DRAWING AND OR TECHNICAL INFORMATION IS THE SOLE PROPERTY OF TES-AMERICA, LLC AND IS FURNISHED FOR AUTHORIZED USE ONLY AND ON THE UNDERSTANDING AND CONDITION THAT IT IS CONFIDENTIAL. NEITHER THIS DOCUMENT NOR THE INFORMATION DISCLOSED HEREIN SHALL BE DISCLOSED TO OTHERS, COPIED, REPRODUCED OR OTHERWISE TRANSFERRED TO OTHER DOCUMENTS, OR USED FOR MANUFACTURING OR ANY OTHER PURPOSE EXCEPT AS AUTHORIZED BY TES-AMERICA, LLC.

TOLERANCING
UNLESS OTHERWISE SPECIFIED
ALL DIMS ARE mm

.X ± 0.20 RADIUS ± 0.15
.XX ± 0.10 ANGLES ± 0.5°

DO NOT SCALE DRAWING

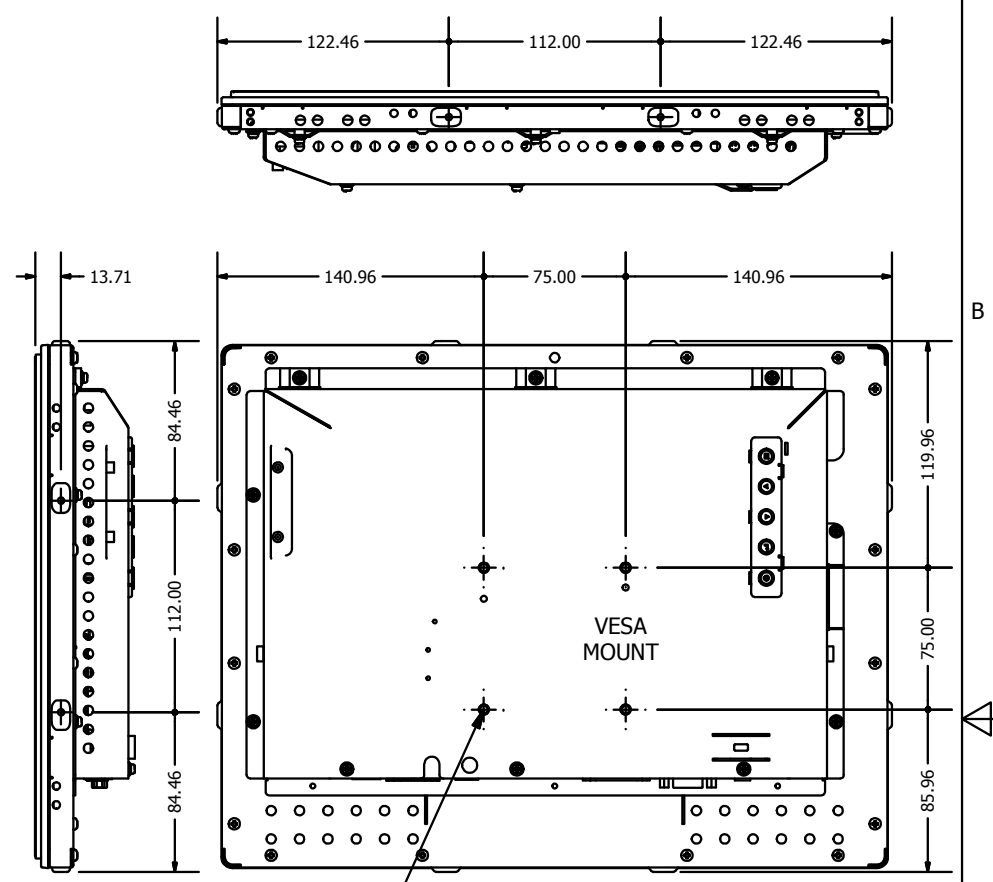
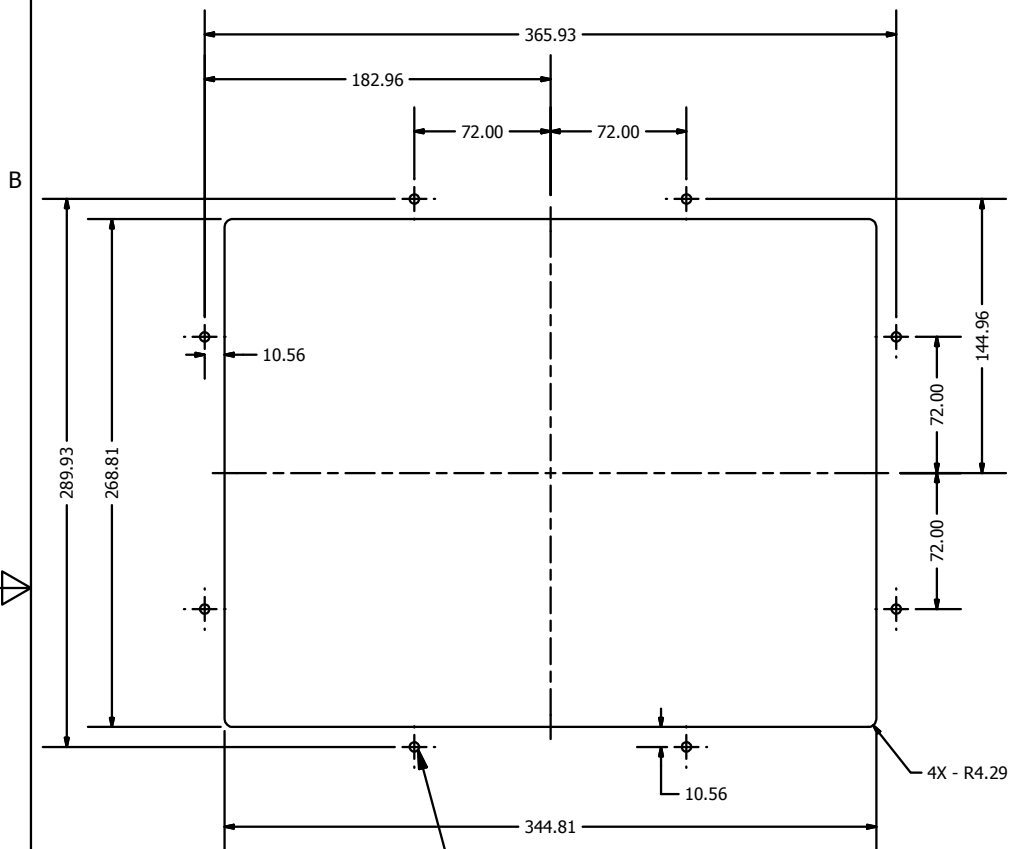
TES HOLLAND, MI 49423 - USA

OF-150P-A1
Open Frame Touch Monitor

DR: MPB	CK:	Material:	SCALE: NTS
DATE: 1/3/2020			SHEET: 1 OF 3
DWG. No. MA710PU0F0029			VER. 01



THIRD ANGLE VIEW

RECOMMENDED CUSTOMER PANEL CUT-OUT



1. Wooden wall: Ø4.5mm thru holes for M4 screws w/nuts, or no thru holes, screws for wood 4mm.
2. Sheet metal: concealed head threaded studs M4 w/nuts.
3. Only two brackets are necessary for mounting. Drill 4 holes for top/bottom bracket mounting or side bracket mounting.

The distance between the back cover surface and the bottom of the screw hole is 8 mm. Please use four M4 screws with the proper length to mount the monitor if you are not using the included mounting brackets and M4x6 screws.

			<small>THIS DRAWING AND OR TECHNICAL INFORMATION IS THE SOLE PROPERTY OF TES-AMERICA, LLC AND IS FURNISHED FOR AUTHORIZED USE ONLY AND ON THE UNDERSTANDING AND CONDITION THAT IT IS CONFIDENTIAL. NEITHER THIS DOCUMENT NOR THE INFORMATION DISCLOSED HEREIN SHALL BE DISCLOSED TO OTHERS, COPIED, REPRODUCED OR OTHERWISE TRANSFERRED TO OTHER DOCUMENTS, OR USED FOR MANUFACTURING OR ANY OTHER PURPOSE EXCEPT AS AUTHORIZED BY TES-AMERICA, LLC.</small>		 HOLLAND, MI 49423 - USA	
			TOLERANCING <small>UNLESS OTHERWISE SPECIFIED ALL DIMS ARE mm</small> X ± 0.20 RADIUS ± 0.15 .XX ± 0.10 ANGLES ± 0.5° DO NOT SCALE DRAWING		OF-150P-A1 Open Frame Touch Monitor	
01-a	1/3/2020	Initial Release	MPB	DR: MPB	CK:	Material:
REV	DATE	DESCRIPTION	BY	DATE: 1/3/2020	DWG. No. MA710PU0F0029	SCALE: NTS
						SHEET: 2 OF 3
						VER. 01
						

2

1

2

1

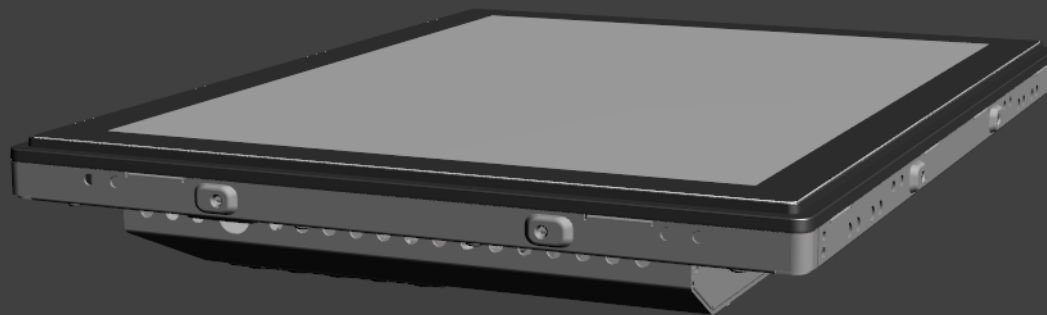
2



1

B

B



A

A

01-a	1/3/2020	Initial Release	MPB
REV	DATE	DESCRIPTION	BY

THIS DRAWING AND OR TECHNICAL INFORMATION IS THE SOLE PROPERTY OF TES-AMERICA, LLC AND IS FURNISHED FOR AUTHORIZED USE ONLY AND ON THE UNDERSTANDING AND CONDITION THAT IT IS CONFIDENTIAL. NEITHER THIS DOCUMENT NOR THE INFORMATION DISCLOSED HEREIN SHALL BE DISCLOSED TO OTHERS, COPIED, REPRODUCED OR OTHERWISE TRANSFERRED TO OTHER DOCUMENTS, OR USED FOR MANUFACTURING OR ANY OTHER PURPOSE EXCEPT AS AUTHORIZED BY TES-AMERICA, LLC.

TOLERANCING
UNLESS OTHERWISE SPECIFIED
ALL DIMS ARE mm

.X ± 0.20 RADIUS ± 0.15
.XX ± 0.10 ANGLES ± 0.5°

DO NOT SCALE DRAWING

		HOLLAND, MI 49423 - USA	
OF-150P-A1 Open Frame Touch Monitor			
DR: MPB	CK:	Material:	SCALE: NTS
DATE: 1/3/2020			SHEET: 3 OF 3
DWG. No. MA710PU0F0029		VER. 01	

2



1