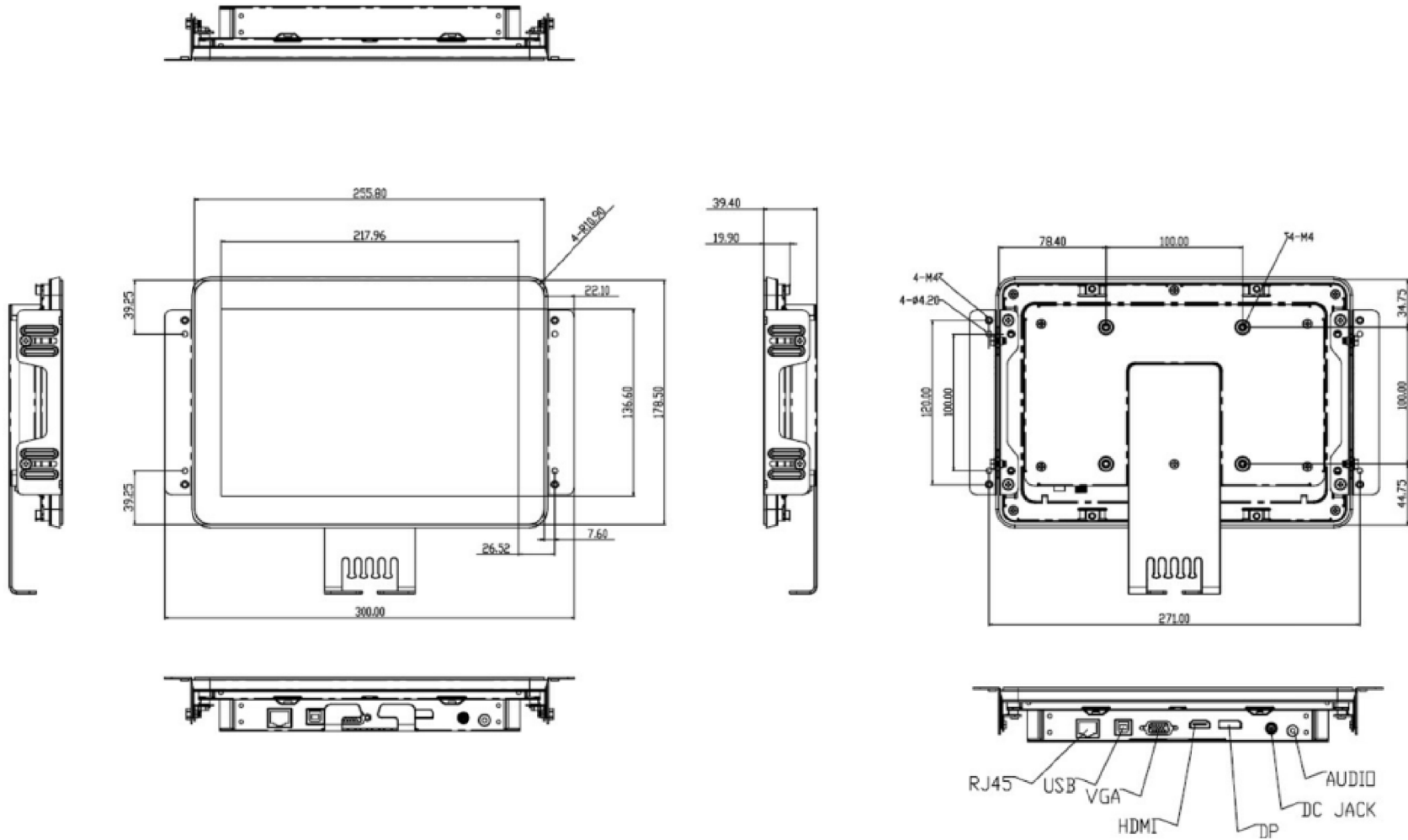


A | B | C | D | E | F | G | H | I

REVISIONS

ECN	REV.	DESCRIPTION	DATE	APPROVED



		ACAD FILE	
UNLESS OTHERWISE SPECIFIED DIMENSION ARE IN INCHES DECIMALS N/A TOLERANCE		THIS DRAWING(SPECIFICATION) IS THE PROPERTY OF TES CORPORATION ALL RIGHTS RESERVED	
APPLICATION		APPROVALS	DATE
		DRAWN Grant	07-05-16
MATERIAL		CHECKED:	
MATERIAL		COLOR	
ISSUED:			
DO NOT SCALE DRAWING			

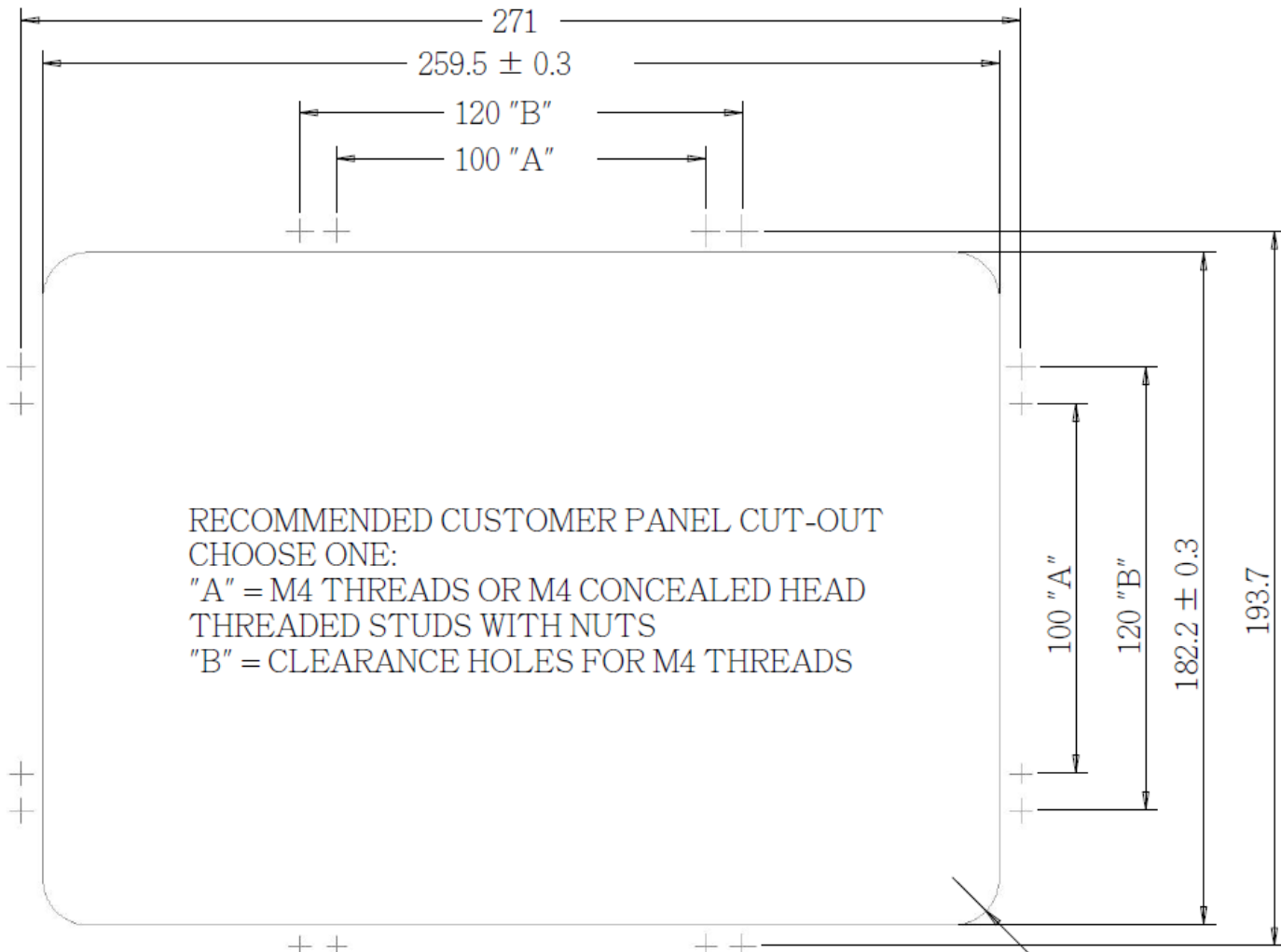
CONFIDENTIAL



PART NAME OF-100P-A1

SIZE	DWG. NO.	REV
A4		A
SCALE	DRAWING SCALE	SHEET 1 OF 1

### Customer Panel Spec



RECOMMENDED CUSTOMER PANEL CUT-OUT  
 CHOOSE ONE:  
 "A" = M4 THREADS OR M4 CONCEALED HEAD  
 THREADED STUDS WITH NUTS  
 "B" = CLEARANCE HOLES FOR M4 THREADS

R12.75 +/- 0.3 x 4

REV	DATE	DESCRIPTION	BY

THIS DRAWING AND OR TECHNICAL INFORMATION IS THE SOLE PROPERTY OF TES AMERICA, LLC. AND IS FURNISHED FOR AUTHORIZED USE ONLY AND ON THE UNDERSTANDING AND CONDITION THAT IT IS CONFIDENTIAL. NEITHER THIS DOCUMENT NOR THE INFORMATION DISCLOSED HEREIN SHALL BE DISCLOSED TO OTHERS, COPIED, REPRODUCED OR OTHERWISE TRANSFERRED TO OTHER DOCUMENTS, OR USED FOR MANUFACTURING OR ANY OTHER PURPOSE EXCEPT AS AUTHORIZED BY TES AMERICA, LLC.

**TOLERANCING**  
 UNLESS OTHERWISE SPECIFIED  
 ALL DIMS ARE mm  
 .X ± 0.20 RADIUS ± 0.15  
 .XX ± 0.10 ANGLES ± 0.5°  
 DO NOT SCALE DRAWING

**MicroTouch** HOLLAND, MI 49423 - USA

OF-100P-A1 (APM-10)\_cabinet\_opening

DR:	CK:	Material:	SCALE: NTS
DATE: 05/11/2021	DWG. No.		SHEET: 1 OF 1
VER. 01	THIRD ANGLE VIEW		