



Get in touch with MicroTouch.

DESKTOP SERIES

Medical-Grade Solution

MODEL NUMBER

DT-215P-M1

21.5" PCAP
HDMI/DP/VGA
IP65 Rated
DICOM Compliant



SPECIFICATIONS

Size	21.5" TFT LCD
Maximum Resolution	1920 x 1084
Aspect Ratio	16:9
Contrast Ratio	1000:1
Brightness	350 nits (No Touch), 297 nits (P-CAP)
View Angle	H:178°, V:178°

Touch LCD Display

Touch Screen	Projected Capacitive
Touch Points	10
Touch Screen Interface	USB-HID (Type B)
Screen Treatment	Anti-Glare

I/O Ports

Serial Port	1 x RJ11 (for remote key)
USB Port	1 x USB 2.0 (Type B) for Touch Interface (USB-HID)
Video Port	1 x VGA, 1 x HDMI, 1 x DP
Audio Port	-
Power Input	1 x 2.1 mm 12V DC Jack

Color Calibration

Color Temperature	5500K / 6500K / 7500K / 9300K / User Definition
Gamma selection	Native / Gamma 1.8 / Gamma 2.2 / Dicom
Gamma LUT (bits)	10
Scaling Mode	Full / 5:4 / 4:3 / 16:9 / 1:1

Physical Properties

Power Supply	Medical External Power Adaptor 60W
Speaker	-
Housing Color	White
Construction	Glass, SECC Metal, Plastic (ABS)
Compliance	Front Panel IP54
Dimensions (W x H x D) mm	517.4 x 351.7 x 219.0
Net Weight (kg)	7.8
Gross Weight (kg)	10.8
Carton (W x H x D) mm	615.0 x 450.0 x 330.0
VESA	100 x 100 mm
Ball Drop	IK07

Safety

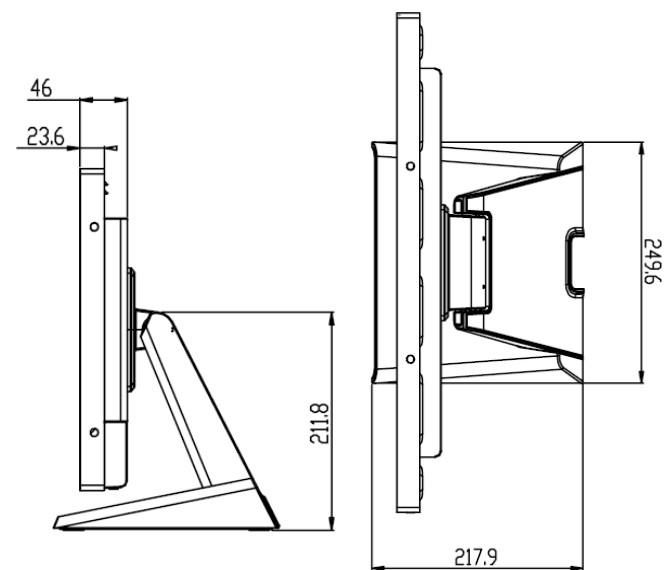
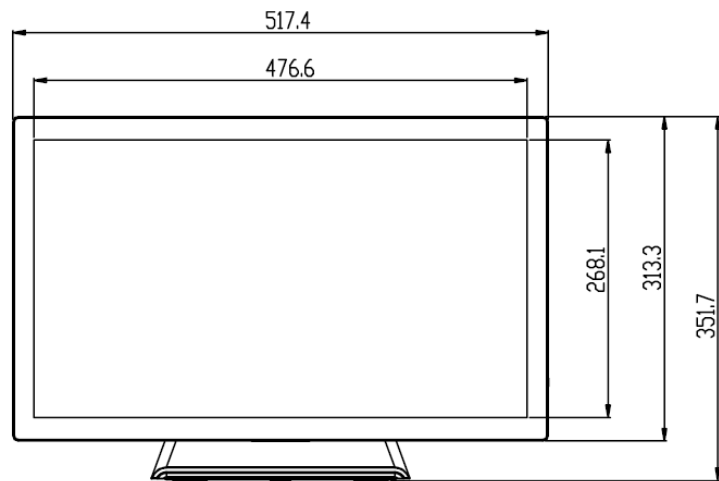
Certifications	CE, CB, FCC, UL, CCC, RoHS, IEC60601-1-2 4th edition compliant
----------------	--

Environment

Operating Temperature	0° C ~ 40° C, 20% ~ 80% RH. Non-Condensing
Storage Temperature	-20° C ~ 60° C, 20% ~ 90% RH. Non-Condensing

Optional Peripheral

N/A



The information presented in this specification sheet is intended as general information about MicroTouch™ products and is subject to change. Product specifications and warranties will be governed by MicroTouch™ standard terms and conditions of sale. Products are subject to availability.
MicroTouch™ Copyright © 2020 MicroTouch™ All rights reserved.

www.MicroTouch.com us.orders@microtouch.com