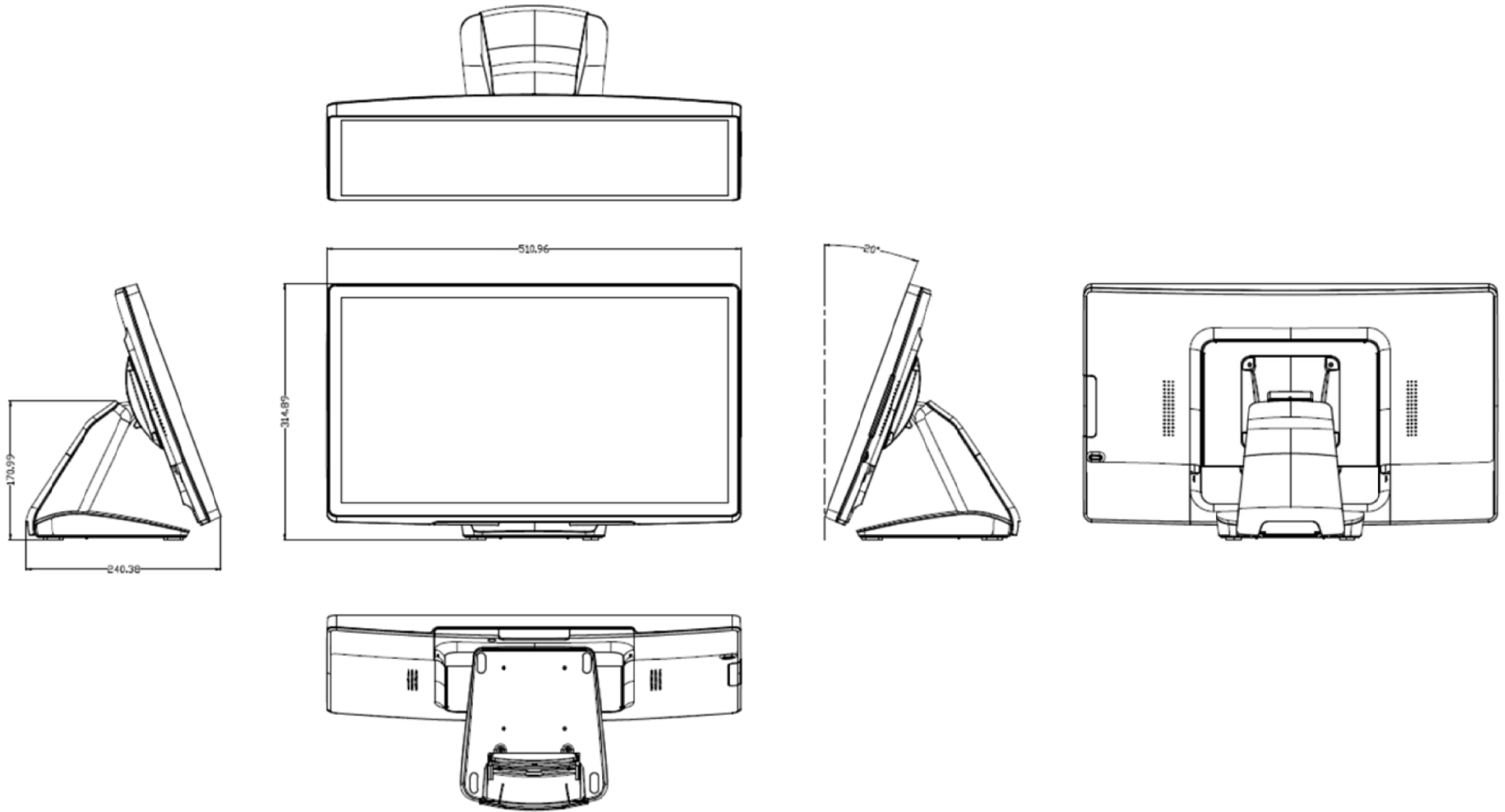


A | B | C | D | E | F | G | H | I

REVISIONS				
ECN	REV.	DESCRIPTION	DATE	APPROVED



ACAD FILE		UNLESS OTHERWISE SPECIFIED THIS DRAWING(SPECIFICATION) IS THE PROPERTY OF TES CORPORATION ALL RIGHTS RESERVED		CONFIDENTIAL	
INCHES DECIMALS	METRIC SEE TABLE	APPROVALS	DATE	PART NAME DT-215P-A1	
APPLICATION		CHECKED:	ISSUED:	SCALE	DWG. NO.
		DO NOT SCALE DRAWING		SCALE	REV A
DRAWING SCALE				SHEET 1 OF 1	1

