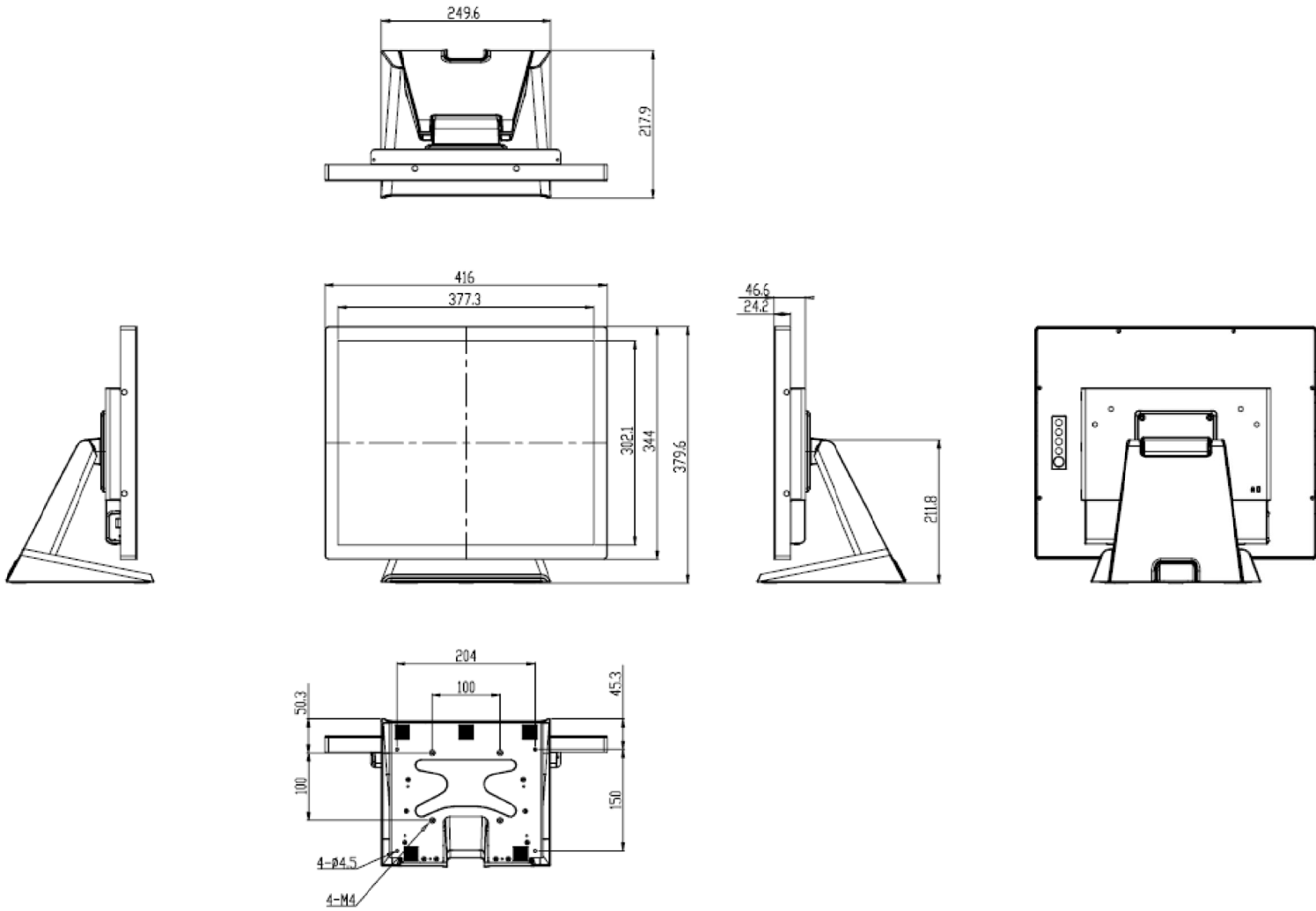


A | B | C | D | E | F | G | H | I

REVISIONS				
ECN	REV.	DESCRIPTION	DATE	APPROVED



ACAD FILE		UNLESS OTHERWISE SPECIFIED THIS DRAWING(SPECIFICATION) IS THE PROPERTY OF TES CORPORATION ALL RIGHTS RESERVED		CONFIDENTIAL	
INCHES DECIMALS	METRIC SEE TABLE	APPROVALS	DATE	PART NAME DT-190P-M1	
APPLICATION		DRAWN: Grant	07-05-16	SIZE A4	DWG. NO.
		CHECKED:	ISSUED:	SCALE	REV A
DO NOT SCALE DRAWING		DRAWING SCALE		SHEET 1 OF 1	1

