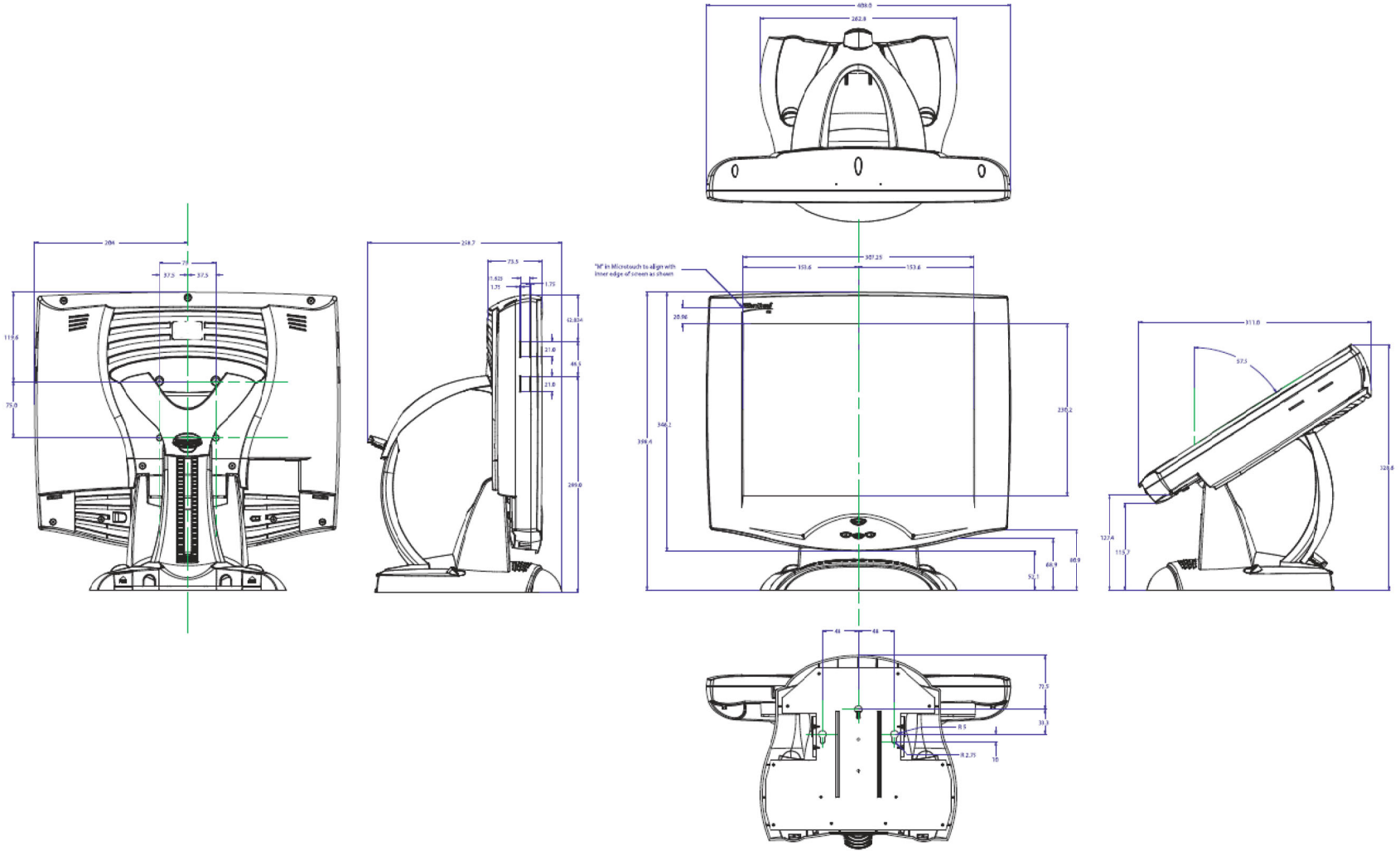


A | B | C | D | E | F | G | H | I

REVISIONS				
ECN	REV.	DESCRIPTION	DATE	APPROVED



ACAD FILE		UNLESS OTHERWISE SPECIFIED THIS DRAWING(SPECIFICATION) IS THE PROPERTY OF TES CORPORATION ALL RIGHTS RESERVED		CONFIDENTIAL	
ITEM	NEXT ASSY	USED ON	INCHES DECIMALS	METRIC SEE TABLE	APPROVALS DATE
APPLICATION			ANGLE	MATERIAL COLOR	CHECKED: DRAWN: Grant 07-05-16
			MATERIAL	COLOR	CHECKED: ISSUED:
DO NOT SCALE DRAWING			PART NAME		REV
			DT-150S-B1(B2)		A
			SCALE	DWG. LTR	NO.
			DRAWING SCALE	SHEET 1 OF 1	1

