



Get in touch with MicroTouch.

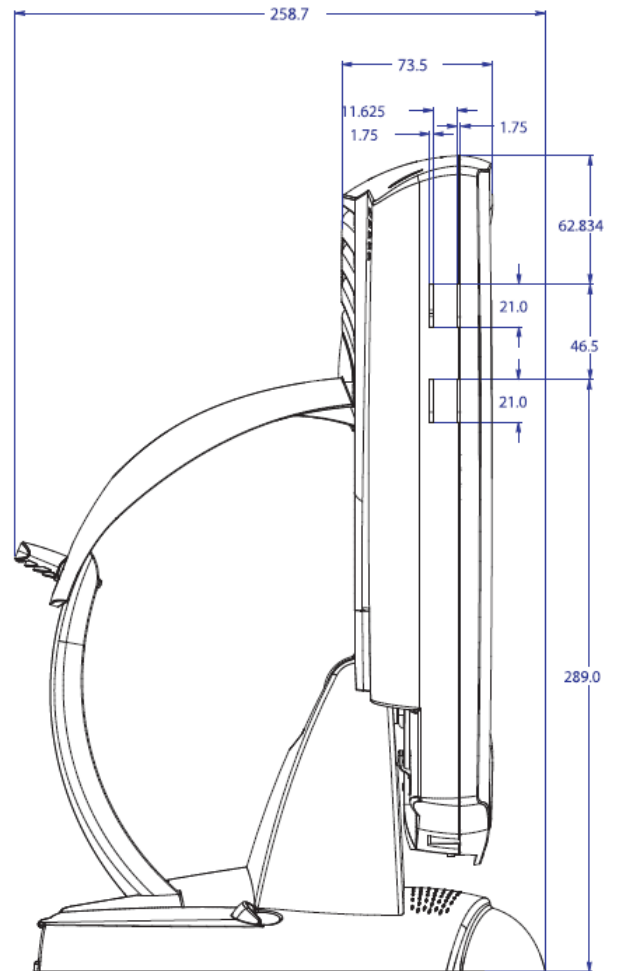
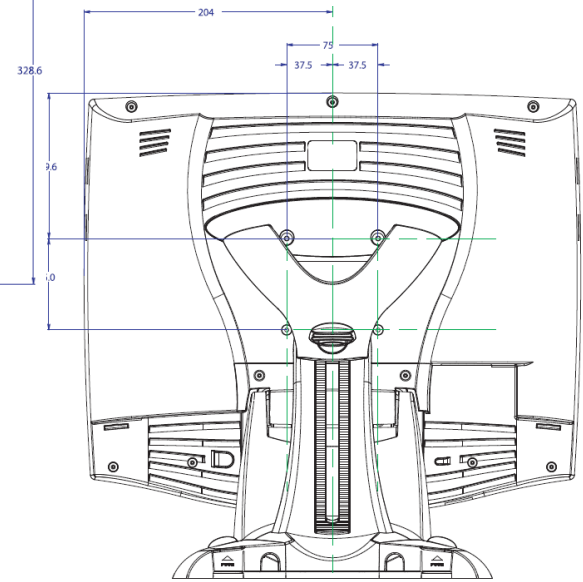
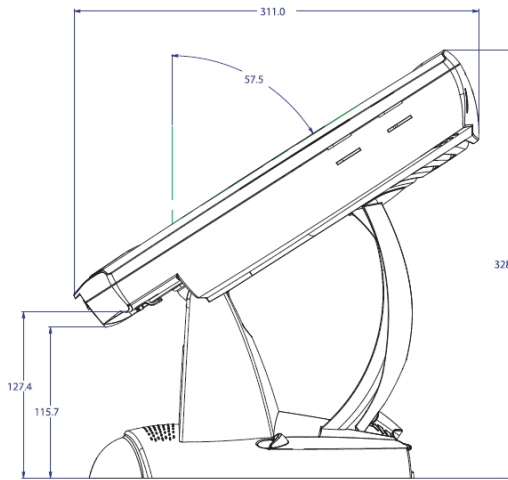
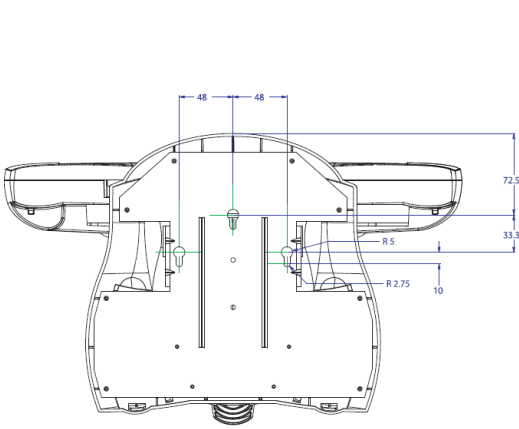
DESKTOP SERIES

MODEL NUMBER

DT-150S-B1(B2)

15" Desktop
Industry Proven
Durable
Surface Capacitive





SPECIFICATIONS

Size	15" TFT LCD
Maximum Resolution	1024 x 768
Aspect Ratio	4:3
Contrast Ratio	500:1
Brightness	250 nits (No Touch), 225 nits (P-CAP)
Touch LCD Display	
Touch Screen	Surface Capacitive
Touch Points	Single Touch
Touch Screen Interface	USB (11-81375-225 - B1) or Serial (11-81375-227 - B2)
I/O Ports	
Serial Port	1 x RJ45
USB Port	1 x USB Type B
Video Port	1 x 15 Pin D-Sub
Audio Port	-
Power Input	1 x 12V DC or 110/220V AC
Physical Properties	
Speaker	-
Housing Color	Black
Construction	Glass, Plastic (ABS), SECC Metal
Compliance	IP66/NEMA 4X (industrial bezel)
Dimensions (W x H x D) mm	408 x 398.3 x 258.7
Net Weight (kg)	7.4
Gross Weight (kg)	16.3
VESA	Stand Included
Safety	
Certifications	FCC B, CE, UL/cUL, CCC
Environment	
Operating Temperature	0°C ~ 40°C, 20% ~ 85% RH. Non-Condensing
Storage Temperature	-20°C ~ 60°C, 10% ~ 85% RH. Non-Condensing
Optional Peripheral	
N/A	



The information presented in this specification sheet is intended as general information about MicroTouch™ products and is subject to change. Product specifications and warranties will be governed by MicroTouch™ standard terms and conditions of sale. Products are subject to availability.
 MicroTouch™ Copyright © 2020 MicroTouch™ All rights reserved.

www.MicroTouch.com us.orders@microtouch.com