



Get in touch with MicroTouch.

DESKTOP SERIES

Medical-Grade Solution

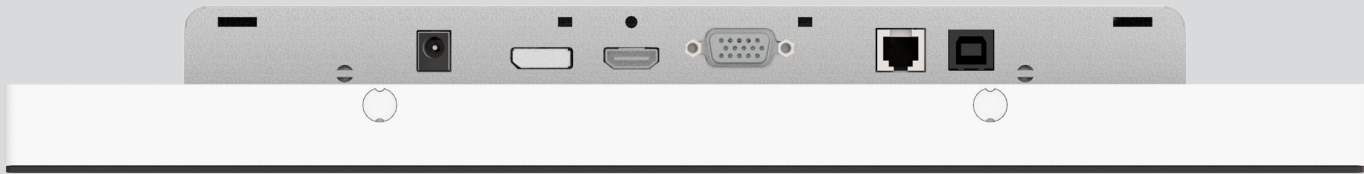
MODEL NUMBER

DT-150P-M1



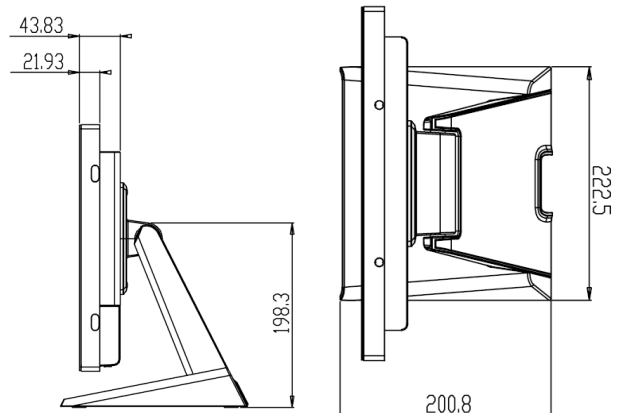
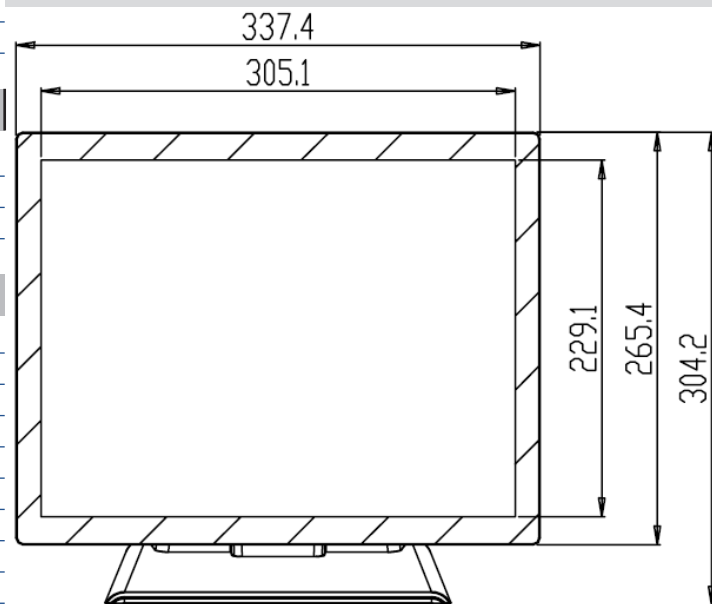
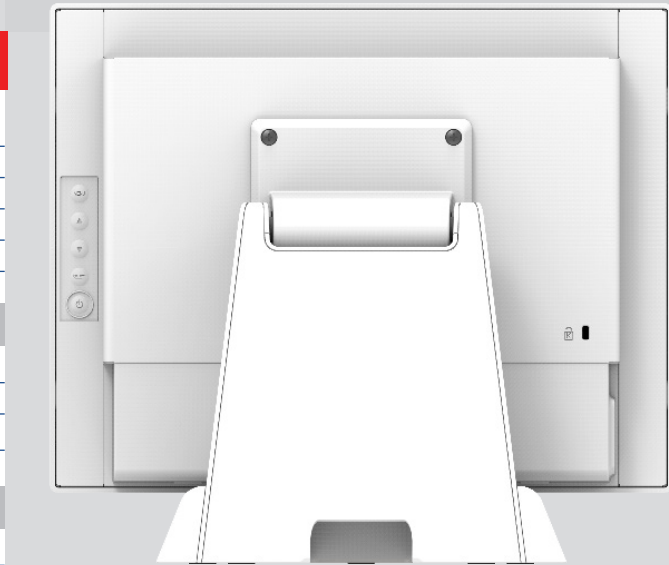
15" PCAP
HDMI/DP/VGA
IP65 Rated
DICOM Compliant





SPECIFICATIONS

| | |
|----------------------------|--|
| Size | 15" TFT LCD |
| Maximum Resolution | 1024 x 768 |
| Aspect Ratio | 4:3 |
| Contrast Ratio | 800:1 |
| Brightness | 350 nits (No Touch), 297 nits (P-CAP) |
| View Angle | H:160°, V:150° |
| Touch LCD Display | |
| Touch Screen | Projected Capacitive |
| Touch Points | 10 |
| Touch Screen Interface | USB-HID (Type B) |
| Screen Treatment | Anti-Glare |
| I/O Ports | |
| Serial Port | 1 x RJ11 (for remote key) |
| USB Port | 1 x USB 2.0 (Type B) for Touch Interface (USB-HID) |
| Video Port | 1 x VGA, 1 x HDMI, 1 x DP |
| Audio Port | - |
| Power Input | 1 x 2.1 mm 12V DC Jack |
| Color Calibration | |
| Color Temperature | 5500K / 6500K / 7500K / 9300K / User Definition |
| Gamma selection | Native / Gamma 1.8 / Gamma 2.2 / Dicom |
| Gamma LUT (bits) | 10 |
| Scaling Mode | Full / 5:4 / 4:3 / 16:9 / 1:1 |
| Physical Properties | |
| Power Supply | Medical External Power Adaptor 60W |
| Speaker | - |
| Housing Color | White |
| Construction | Glass, SECC Metal, Plastic (ABS) |
| Compliance | Front Panel IP65 |
| Dimensions (W x H x D) mm | 337.0 x 304.2 x 200.9 |
| Net Weight (kg) | 4.4 |
| Gross Weight (kg) | 6.0 |
| Carton (W x H x D) mm | 415.0 x 370.0 x 290.0 |
| VESA | 100 x 100 mm |
| Ball Drop | IK07 |
| Safety | |
| Certifications | CE, CB, FCC, UL, CCC, RoHS, IEC60601-1-2 4th edition compliant |
| Environment | |
| Operating Temperature | 0° C ~ 40° C, 20% ~ 80% RH. Non-Condensing |
| Storage Temperature | -20° C ~ 60° C, 20% ~ 90% RH. Non-Condensing |
| Optional Peripheral | |
| N/A | |



The information presented in this specification sheet is intended as general information about MicroTouch™ products and is subject to change. Product specifications and warranties will be governed by MicroTouch™ standard terms and conditions of sale. Products are subject to availability.
 MicroTouch™ Copyright © 2020 MicroTouch™ All rights reserved.

